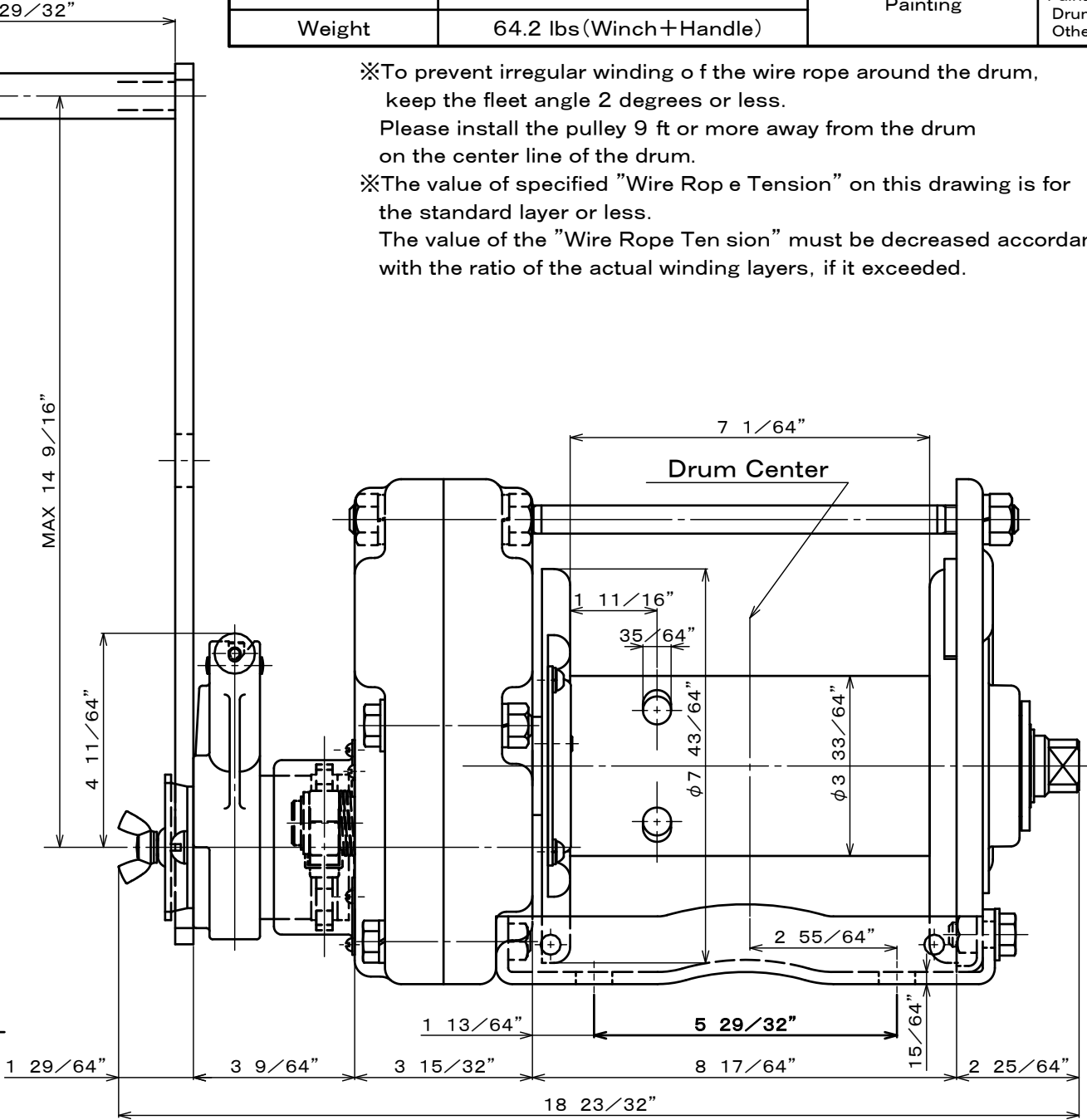
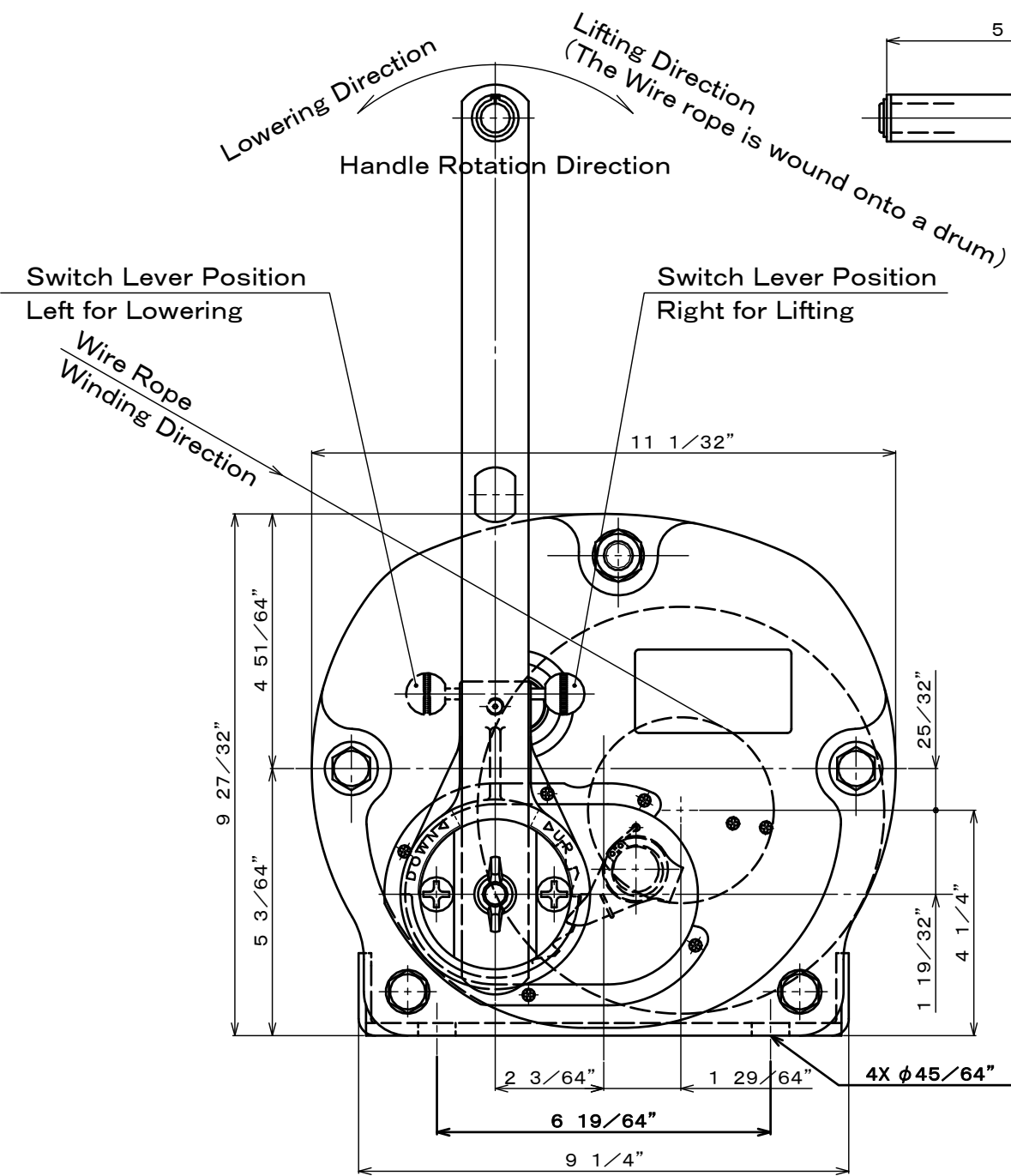


Specifications				(The wire rope composition is a manufacturer recommendation.)	
Load Rating Wire Rope Tension	4,400 lbs (=2,000 kgf) 3rd Layer(Standard Layer)	Handle Force	Handle Length 14 9/16"	Number of Wire Rope Winding Layer	
Drum Capacity	Wire Rope 5-Layer Windings φ 3/8" (6 × 36) × 124 ft		Wire Rope Tension 4,400lbs	1st Layer 35.3lbs (=16.0kgf)	2nd Layer 41.7lbs (=18.9kgf)
Gear Ratio	1/20	Standard Accesories		One Handle	
Effective Handle Length	14 9/16" (Maximum)	Painting		Melamine Resin Coating At Two Layers Painting Color Drum : Black (Munsell N1 Semi Gloss) Others : Munsell 7.5YR6/11	
Weight	64.2 lbs (Winch + Handle)				

※To prevent irregular winding of the wire rope around the drum, keep the fleet angle 2 degrees or less.  
Please install the pulley 9 ft or more away from the drum on the center line of the drum.

※The value of specified "Wire Rope Tension" on this drawing is for the standard layer or less.  
The value of the "Wire Rope Tension" must be decreased accordance with the ratio of the actual winding layers, if it exceeded.



4 ×		図面番号/DRAWING No.	MR20SI-180402-01U	改訂番号/REVISION No.	00	お客様/CUSTOMER		符号/ MARK	項目/ PARTICULARS	材料/ MATERIAL	数量/ QTY	単体重量/ PER ONE WEIGHT	合計重量/ TOTAL WEIGHT	備考/ REMARKS
3 ×		承認/APPROVED	設計部 '18.04.05 米澤	検図/CHECKED	設計部 '18.04.05 松嶺	作成/DRAWN	設計部 '18.04.05 武松	MAXPULL WINCH STOPPER ARMLESS RATCHET TYPE MODEL MR-20-SI		投影法/PROJECTION METHOD	第三角法 THIRD ANGLE PROJECTION	尺度/SCALE	台数/QTY	
2 ×								MAXPULL MACHINERY & ENGINEERING CO., LTD.		マックスプル工業株式会社				
1 ×														
改訂/REVISION														