

# ML300 Panels

## MurphyLink® Series

The MurphyLink® Series ML300 Panels include the new PowerView® PV300, a robust, multifunction control panel that provides advanced monitoring of electronic engines designed to meet Tier 4/Euro Stage IV emissions requirements. The model PV300-P monitors multiple engine and machine parameters on an easy-to-read 3.8-inch (97 mm) QVGA monochrome LCD.

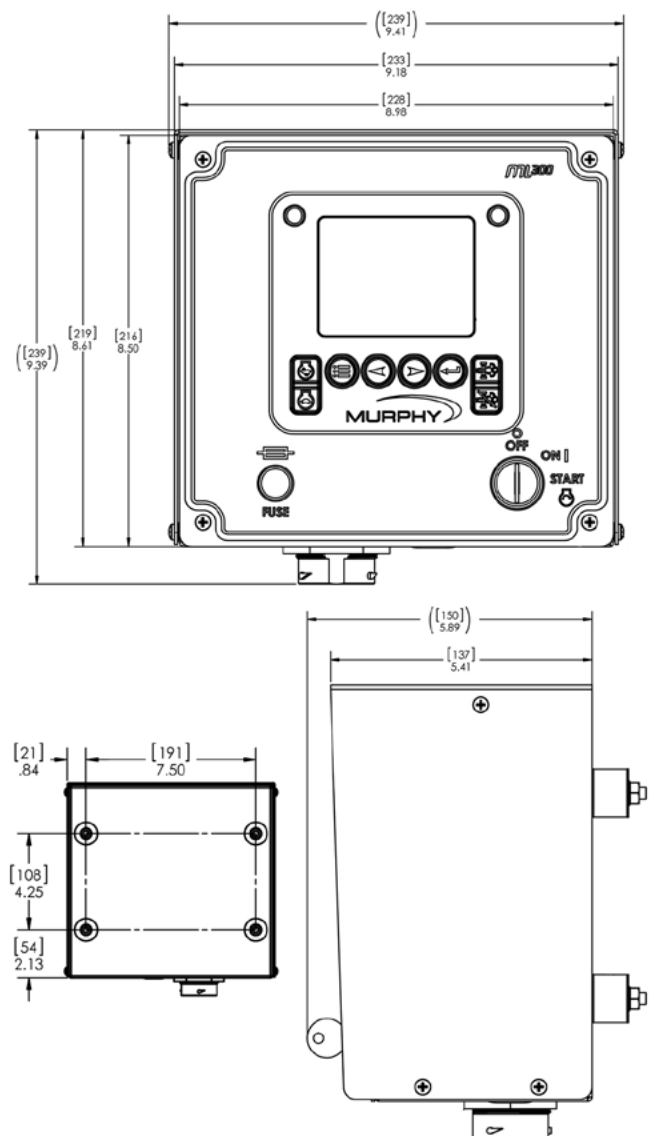
The panel is capable of handling sophisticated engine diagnostics as well as basic engine alarm/shutdown with integrated throttle control. The PV300 provides monitoring of Tier 4/Euro Stage 4 compliant electronic engines, monitors multiple J1939 parameters and provides basic engine alarm/shutdown with integrated throttle control. Throttling communicates through TSC1 on the J1939 CAN network. The regeneration commands for inhibit and forced-regeneration communicate through J1939 CAN protocol.

### Features

- Tier 4/Euro Stage IV ready
- Superior Display Visibility Even in Bright Sunlight
- Back-Mounted Display for Seamless Panel Integration
- Integrated CAN Communication Using SAE J1939
- Rugged Enclosure Using Industry Standard Deutsch Connectors
- Circuit Protection and Diagnostics



### Dimensions



# Specifications

---

---

**Operating Voltage:**

12/24 VDC (9-32VDC Minimum and Maximum Voltage)

**Operating Current:** 1.2A MAX

**Mounting:** 4 - .75" Rubber Isolated Shockmounts

**Starting Method:** KeySwitch

**Stopping Method:** KeySwitch

**Display:** PowerView Model 300

**Indication Lamps:** One red, One Amber via PV300 Display

**Enclosure Material:** Powder Coated Cold Rolled Steel

**Wiring Interface:** 1-Deutsch HDP 21pin Connector

**Throttle Method:** TSC1 CAN Throttling (via PV300 Tactile Rocker)

- Increment/Decrement

- Idle/Run

- Idle, Run 1, Run 2

**Tier 4 Regeneration:** CAN Enabled (via PV300 Tactile Rocker)

**Operational Temperature:** -40° to +185°F (-40° to +85°C)

**Storage Temperature:** -40° to +185°F (-40° to +85°C)

**Box Dimensions:** 15.4 X 13.4 X 8.5 (391 X 340.4 X 216 mm)

**Shipping Weight:** 10.0 lbs (4.5 kg)

# How to Order

---

---

| Part Number | Model and Description | Notes          |
|-------------|-----------------------|----------------|
| 32700210    | ML300: 12/24-Volt     | Enclosed panel |