

ML25 Panels

MurphyLink® Series

The MurphyLink Series ML25 Panels feature the PowerView® PV25, an engine and diagnostic display in an economical and compact package. This J1939-compliant device provides electronic engine parameter data, is simple to install and matches the PowerView line of rugged displays. The PV25 can be powered by 12- or 24-volt systems.

The PV25 is equipped with two push buttons to quickly access a convenient menu. In addition, a back lit graphic display and two LEDs indicate Active-fault Alarm or Shutdown status.

Active and Stored Fault messages display the SPN (Suspect Parameter Number), FMI (Failure Mode Indicator) and the OC (Occurrence Count) using the SAE J1939 protocol.

Features

- Tier 4/Stage IIIB/IV Compliant/Ready
- Compact J1939-compliant device for electronically controlled engines
- Displays up to 20 standard J1939 parameters
- Active and stored diagnostic trouble codes
- Provides enhanced visual alarm indication using bright alarm and shutdown LEDs

Specifications

Operating Voltage:

12/24 VDC (6.5-32VDC Minimum and Maximum Voltage)

Operating Current: 850mA MAX

Mounting: 4-.75" Rubber Isolated Shockmounts

Starting Method: KeySwitch

Stopping Method: KeySwitch

Display: PowerView Model 25

Indication Lamps: One red, One Amber via PV25 Display

Enclosure Material: Powder-Coated Cold Rolled Steel

Wiring Interface: 1-Deutsch HDP 21pin Connector

Throttle Method: Rocker Switch (Digital Inputs to ECU)

Tier 4 Regeneration: CAN Enabled (via PV25) or Rocker Switch (via Digital Input to ECU)

Operational Temperature: -40° to +158°F (-40° to +70°C)

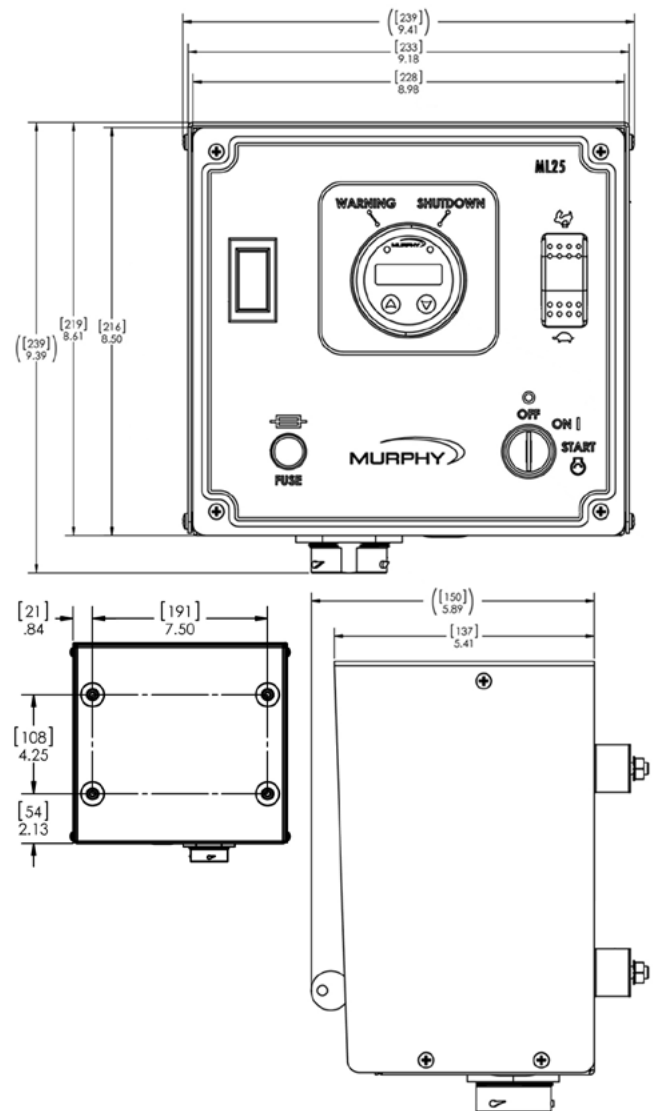
Storage Temperature: -67° to +185°F (-55° to +85°C)

Box Dimensions: 15.4 X 13.4 X 8.5 (340.6 mm X 215.9 mm)

Shipping Weight: 9.5 lbs (4.3 kg)



Dimensions



How to Order

Part Number	Model and Description	Notes
32700190	ML25-FP: PV25 flat only, PTO Ramp throttle method, 12/24 VDC	Flat panel
32700191	ML25: PV25 enclosed, PTO Ramp throttle method, 12/24 VDC	Enclosed panel
32700192	ML25-T4-FP: PV25 flat only w/ T4 switch, PTO Ramp T4 Rocker throttle method, 12/24 VDC	Flat panel
32700193	ML25-T4: PV25 enclosed w/ T4 switch, PTO Ramp T4 Rocker throttle method, 12/24 VDC	Enclosed panel