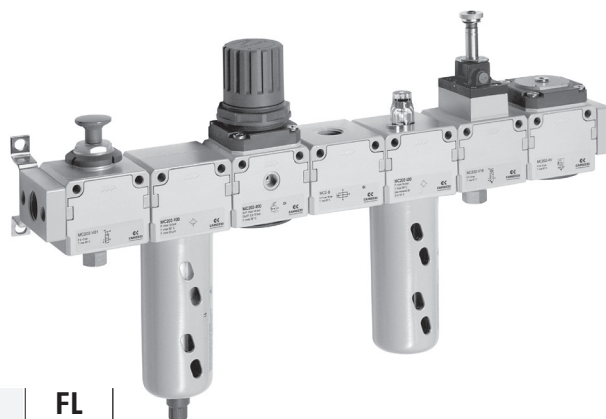


Series MC FRL Assembled

Connections: 1/4, 3/8, 1/2

The FRL Series MC in the assembled versions are easier to order (one single code) and to mount.



SERIES MC FRL ASSEMBLED

CODING EXAMPLE

MC	2	02	-	C	-	5	-	FL
----	---	----	---	---	---	---	---	----

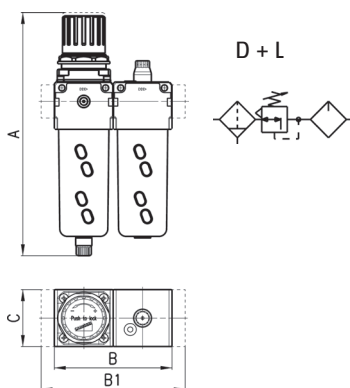
MC	SERIES: MC	
2	SIZE: 1 = 1/4 2 = 3/8 - 1/2	C ASSEMBLY GROUP: C = D + L E = V01 + D + L FRL = F + R + L GN = D + L + V16 + AV HNA = V01 + D + L + V16 + AV + PRESS N.A. HNC = V01 + D + L + V16 + AV + PRESS N.C. N = V01 + D PN = D + V16 + AV QN = V01 + D + V16 + AV TN = V01 + D + L + V16 + AV ZNA = V01 + D + V16 + AV + PRESS N.A. ZNC = V01 + D + V16 + AV + PRESS N.C.
02	CONNECTIONS: 04 = 1/4 38 = 3/8 02 = 1/2	
5	FILTERING ELEMENT: 5 = 5 µm (upon request) 25 = 25 µm (standard)	FL VERSION: FL = with terminal flanges
FL		

ASSEMBLY GROUP KEY

D	Filter-regulator 0-10 bar semi-automatic manual drain filtering element 25µm	F	Filter 25 µm
V01	Valve 3/2 way manually operated	R	Regulator 0 - 10 bar
V16	Valve 3/2 way electropneumatically operated	AV	Soft start valve
L	Lubricator	PRESS	Pressure switches (defined if N.C. or N.A.)
		F13	Filter 5µm or 25µm with automatic drain

Assembly group C (see above for descriptions)

Including gauge and bracket



- ✓ Ex Stock
- 🇬🇧 UK Assembly
- ☎ Please Call Sales Office

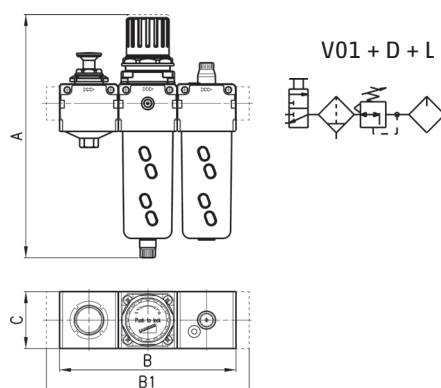
DIMENSIONS

Part Number	Availability	A	B	B1	C	Connection
MC104-C-25	🇬🇧	193.5	90	-	45	1/4
MC104-C-25-FL	🇬🇧	193.5	-	114	45	1/4
MC238-C-25	🇬🇧	256.5	124	-	60	3/8
MC238-C-25-FL	🇬🇧	256.5	-	152	60	3/8
MC202-C-25	🇬🇧	256.5	124	-	60	1/2
MC202-C-25-FL	🇬🇧	256.5	-	152	60	1/2

Please see page 216 for Series MC Accessories

Assembly group E (see above for descriptions)

Including gauge and bracket



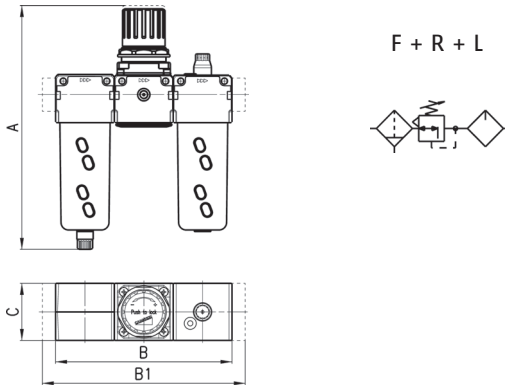
- ✓ Ex Stock
- 🇬🇧 UK Assembly
- ☎ Please Call Sales Office

DIMENSIONS

Part Number	Availability	A	B	B1	C	Connection
MC104-E-25	🇬🇧	193.5	135	-	45	1/4
MC104-E-25-FL	🇬🇧	193.5	-	159	45	1/4
MC238-E-25	🇬🇧	256.5	186	-	60	3/8
MC238-E-25-FL	🇬🇧	256.5	-	214	60	3/8
MC202-E-25	🇬🇧	256.5	186	-	60	1/2
MC202-E-25-FL	🇬🇧	256.5	-	214	60	1/2

Assembly group FRL (see page 212 for descriptions)

Including gauge and bracket

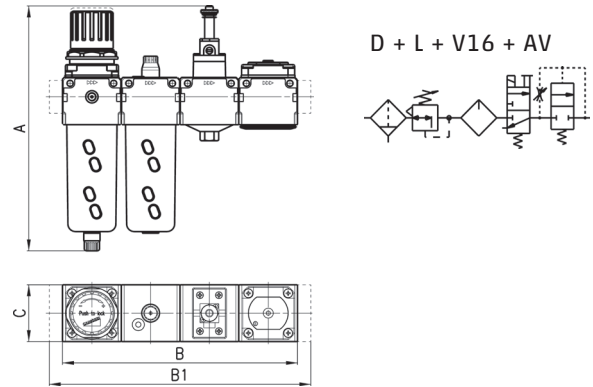


- ✓ Ex Stock
- ✎ UK Assembly
- ☎ Please Call Sales Office

DIMENSIONS						
Part Number	Availability	A	B	B1	C	Connection
MC104-FRL-25	✎	193.5	135	-	45	1/4
MC104-FRL-25-FL	✎	193.5	-	159	45	1/4
MC238-FRL-25	✎	256.5	186	-	60	3/8
MC238-FRL-25-FL	✎	256.5	-	214	60	3/8
MC202-FRL-25	✎	256.5	186	-	60	1/2
MC202-FRL-25-FL	✎	256.5	-	214	60	1/2

Assembly group GN (see page 212 for descriptions)

Including gauge and bracket

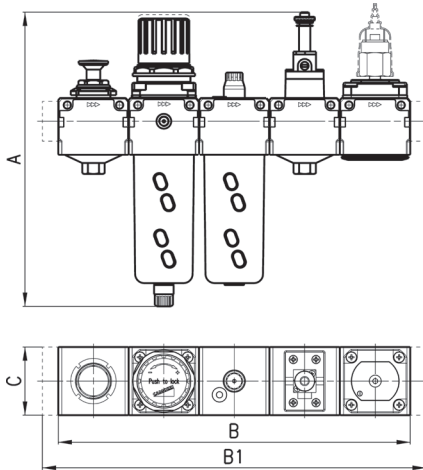


- ✓ Ex Stock
- ✎ UK Assembly
- ☎ Please Call Sales Office

DIMENSIONS						
Part Number	Availability	A	B	B1	C	Connection
MC104-PN-25	✎	208	135	-	45	1/4
MC104-PN-25-FL	✎	208	-	159	45	1/4
MC238-PN-25	✎	259	186	-	60	3/8
MC238-PN-25-FL	✎	259	-	214	60	3/8
MC202-PN-25	✎	259	186	-	60	1/2
MC202-PN-25-FL	✎	259	-	214	60	1/2

Assembly group HN... (see page 212 for descriptions)

Including gauge and bracket

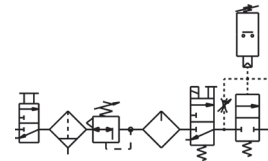


- ✓ Ex Stock
- ✎ UK Assembly
- ☎ Please Call Sales Office

DIMENSIONS						
Part Number	Availability	A	B	B1	C	Connection
MC104-QN-25	✎	208	180	-	45	1/4
MC104-QN-25-FL	✎	208	-	204	45	1/4
MC238-QN-25	✎	259	248	-	60	3/8
MC238-QN-25-FL	✎	259	-	276	60	3/8
MC202-QN-25	✎	259	248	-	60	1/2
MC202-QN-225-FL	✎	259	-	276	60	1/2

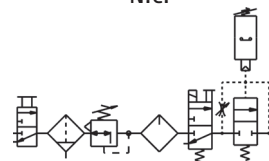
Please see page 216 for Series MC Accessories

V01 + D + L + V16 + AV + PRESS N.A.



HNA
Pressure switch normally open

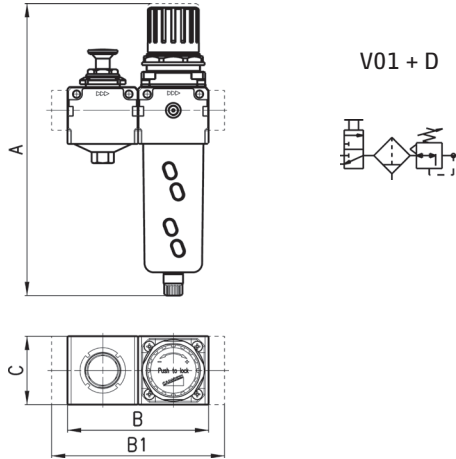
V01 + D + L + V16 + AV + PRESS N.C.



HNC
Pressure switch normally closed

Assembly group N (see page 212 for descriptions)

Including gauge and bracket

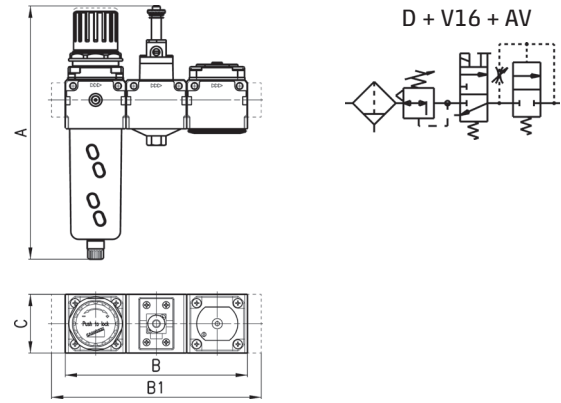


- ✓ Ex Stock
- ✎ UK Assembly
- ☎ Please Call Sales Office

DIMENSIONS						
Part Number	Availability	A	B	B1	C	Connection
MC104-N-25	☎	193.5	90	-	45	1/4
MC104-N-25-FL	✎	193.5	-	114	45	1/4
MC238-N-25	✎	256.5	124	-	60	3/8
MC238-N-25-FL	✎	256.5	-	152	60	3/8
MC202-N-25	✎	256.5	124	-	60	1/2
MC202-N-25-FL	✎	256.5	-	152	60	1/2

Assembly group PN (see page 212 for descriptions)

Including gauge and bracket



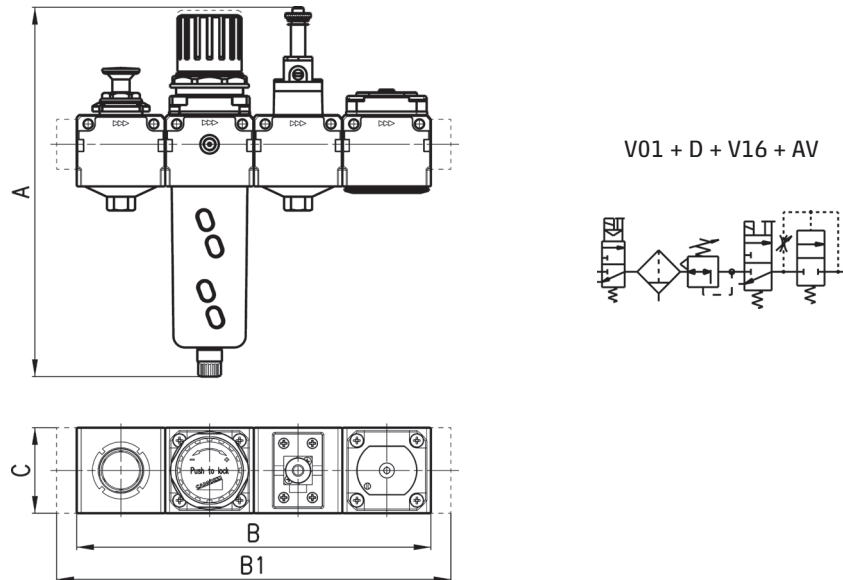
- ✓ Ex Stock
- ✎ UK Assembly
- ☎ Please Call Sales Office

DIMENSIONS						
Part Number	Availability	A	B	B1	C	Connection
MC104-PN-25	☎	208	135	-	45	1/4
MC104-PN-25-FL	✎	208	-	159	45	1/4
MC238-PN-25	✎	259	186	-	60	3/8
MC238-PN-25-FL	✎	259	-	214	60	3/8
MC202-PN-25	✎	259	186	-	60	1/2
MC202-PN-25-FL	✎	259	-	214	60	1/2

Assembly group QN (see page 212 for descriptions)

(see page 212 for descriptions)

Including gauge and bracket



- ✓ Ex Stock
- ✎ UK Assembly
- ☎ Please Call Sales Office

DIMENSIONS						
Part Number	Availability	A	B	B1	C	Connection
MC104-QN-25	☎	208	180	-	45	1/4
MC104-QN-25-FL	✎	208	-	204	45	1/4
MC238-QN-25	✎	259	248	-	60	3/8
MC238-QN-25-FL	✎	259	-	276	60	3/8
MC202-QN-25	✎	259	248	-	60	1/2
MC202-QN-225-FL	✎	259	-	276	60	1/2

Please see page 216 for Series MC Accessories