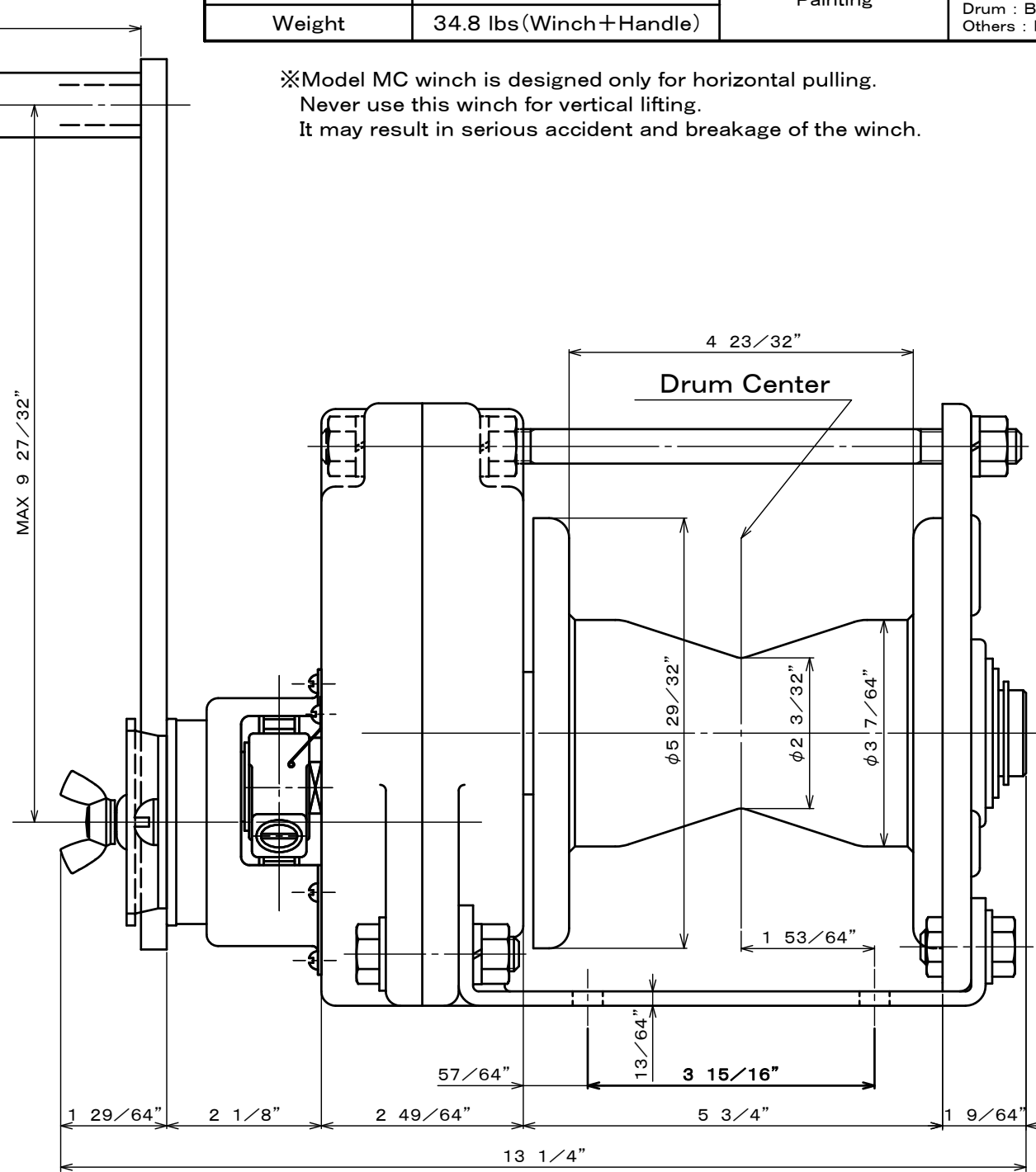
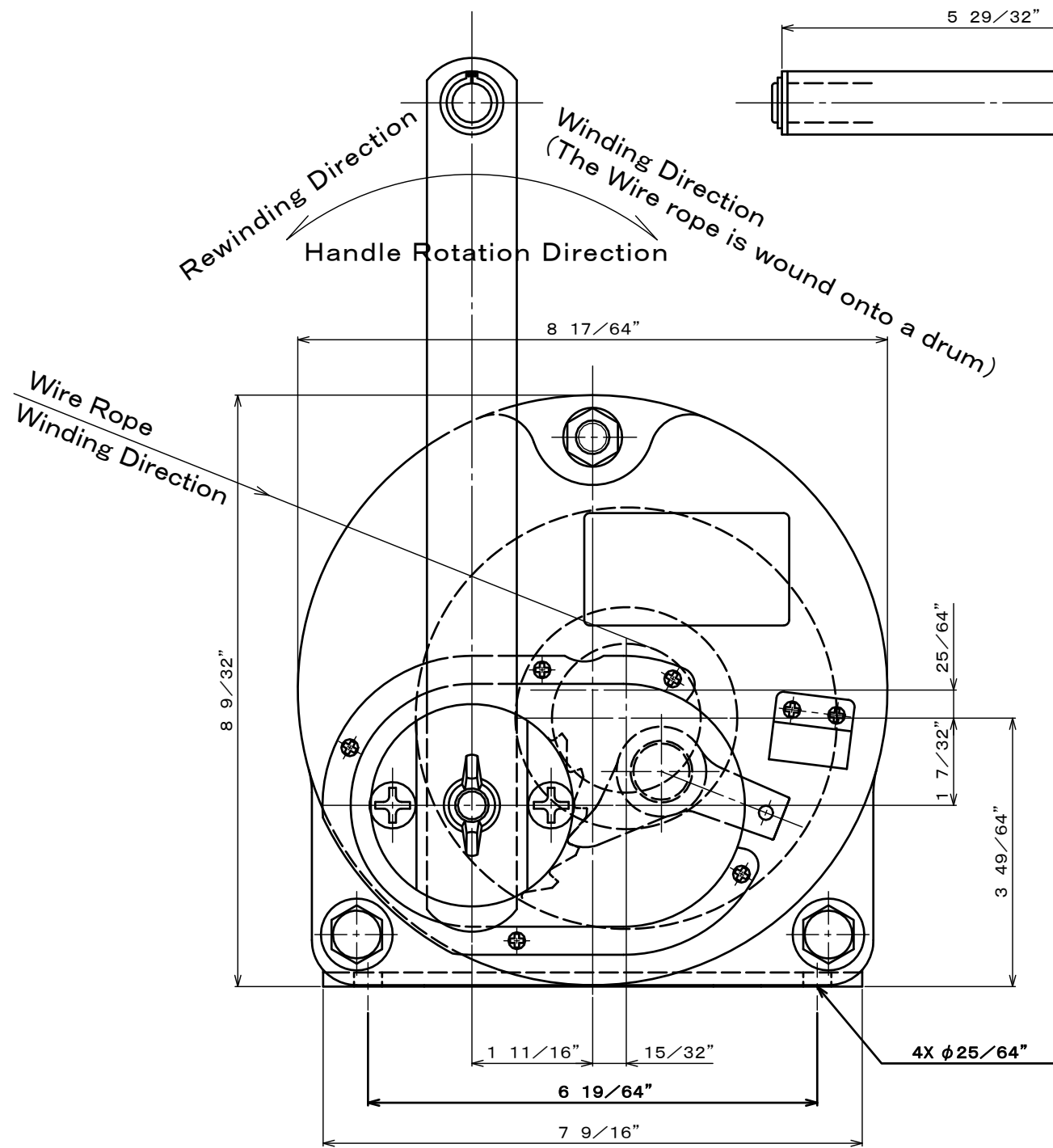


Specifications				(The wire rope composition is a manufacturer recommendation.)
Load Rating Wire Rope Tension	660 lbs (=300 kgf)	Handle Force	Handle Length 9 27/32"	14.3lbs (=6.5kgf)
Wire Rope Diameter	φ 1/4" (6 × 36)		Wire Rope Tension 660 lbs	
Gear Ratio	1/6.25	Standard Accesories		One Handle
Effective Handle Length	9 27/32" (Maximum)	Painting		Melamine Resin Coating At Two Layers Painting Color Drum : Black (Munsell N1 Semi Gloss) Others : Munsell 7.5YR6/11
Weight	34.8 lbs (Winch + Handle)			

※Model MC winch is designed only for horizontal pulling.
Never use this winch for vertical lifting.
It may result in serious accident and breakage of the winch.



4 ×		図面番号/DRAWING No.	MC3-180402-01U	改訂番号/REVISION No.	00	お客様/CUSTOMER		符号/MARK	項目/PARTICULARS	材料/MATERIAL	数量/QTY	単体重量(kg)/TOTAL WEIGHT	備考/REMARKS	
3 ×		承認/APPROVED	設計部 '18.04.05 米澤	検閲/CHECKED	設計部 '18.04.05 松嶺	作成/DRAWN	設計部 '18.04.05 武松	図面名/TITLE	MAXPULL WINCH CAPSTAN TYPE MODEL MC-3	投影法/PROJECTION METHOD	第三角法 THIRD ANGLE PROJECTION	尺度/SCALE	台数/QTY	
2 ×		MAXPULL MACHINERY & ENGINEERING CO., LTD. マックスプル工業株式会社												
1 ×														
改訂/REVISION														