

# MAGMAX

PRODUCT RELEASE

**EARTHQUAKE  
SOUND**  
Sound That Will Move You.



## THE LEGEND LIVES ON

Upon its release, the Magma toppled DB drag record one by one like a bowling ball rolling through the lane. For over 12 years, the Magma reigned over the competitions in sound quality power, and accuracy. While Magma performance pushed the boundaries, the newly released MagmaX ripped 'em apart.

Available in 12 and 15 inch.

## FEATURES

Poly-ether draw surround with thick single layer for longer life and max excursion

Edge reinforced inverted dust cap for lower cone distortion

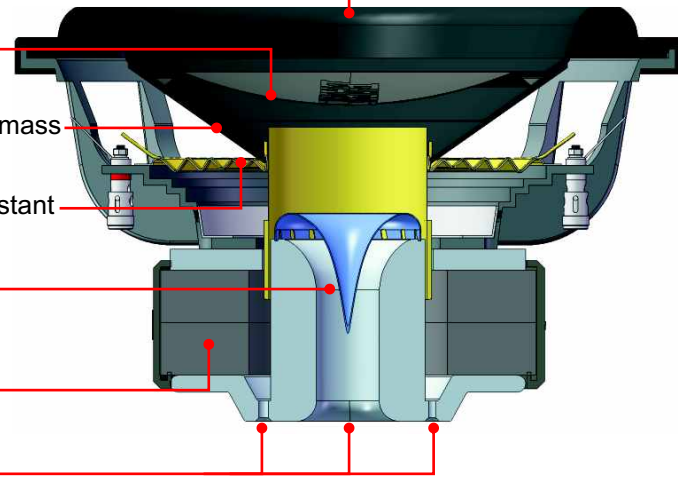
3mm stiff non-pressed fiber cone for faster response and lighter mass

MAX OD spider for more spider area and more linear spring constant

Patented TCT (Turbo Cooled Technology) forced cooled motor—  
in with the cold air and out with the hot air

Super thick motor to assist long excursion – 2" thick

PBP (Perforated Back Plate) that circulate cold air into the gap



MAGMA12X  
MAGMA15X

MSRP  
\$399  
\$550

