

MAC16*A

SIGNATURE SERIES

SPLIT AIR CONDITIONER SYSTEM
UP TO 16 SEER



COMPRESSOR

- High-efficiency scroll compressor
- R410A refrigerant
- Heavy-duty compressor sound blanket for quiet operation
- Internally protected against high temperature motor overload conditions

CABINET

- Full metal louvered construction to protect the coil/ hail protection
- Individual louver panels; 4 screws to remove for ease of coil cleaning and service
- Corner-mounted controls for easy service
- Baked polyester paint finished over galvanized steel for maximum durability
- 45-degree offset valves for easy service

COILS

- CoolGuard™ total corrosion protection technology designed coil
- Enhanced tube-and-fin coil design featuring MHT™ Technology
- Lanced fins for maximum heat transfer
- Every coil factory tested for leakproof construction
- Raised coil prevents debris from impeding airflow

COMPONENTS

- Factory installed high pressure switch
- Thread-on pressure switches for simple, quick replacement
- Filter drier shipped loose for installation flexibility
- Fan orifice for smoother airflow and sound level reduction
- Charged for 15 feet of line set

WARRANTY

10 year limited warranty on compressor
10 year limited warranty on all parts, extended warranty available*

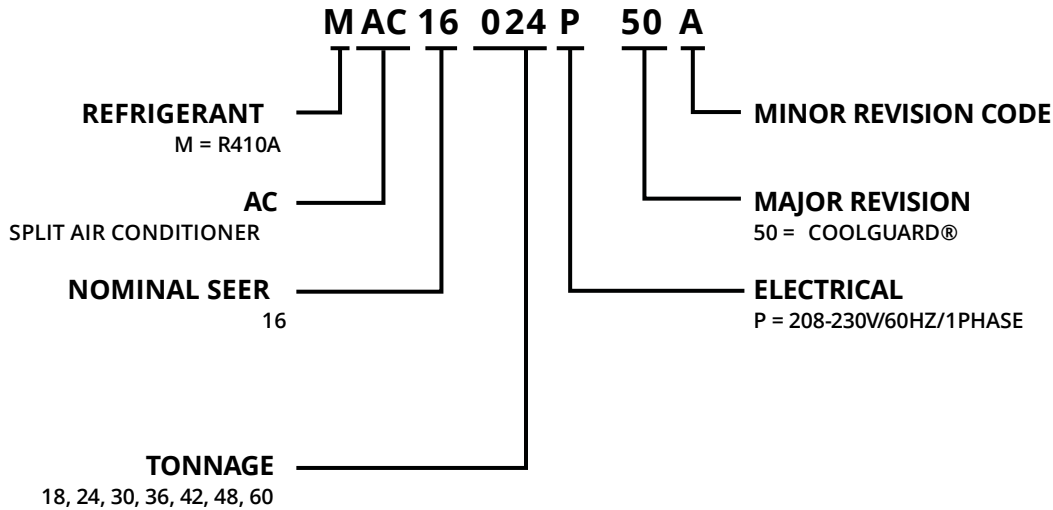
*Warranty provides for a total of 10 years of limited warranty coverage (Standard 5-year limited parts warranty plus an additional 5-year limited extended parts warranty). Warranty must be registered online within 60 days of installation to qualify for 10-year coverage. Unregistered equipment defaults to 5-year coverage. Lifetime limited heat exchanger warranty applies to registered equipment only (Standard 20 years with no online registration). See full warranty at www.mrcool.com for terms, conditions and exclusions.

NOTE:

For the latest ratings, please see
<https://www.ahridirectory.org>



MODEL NUMBER GUIDE



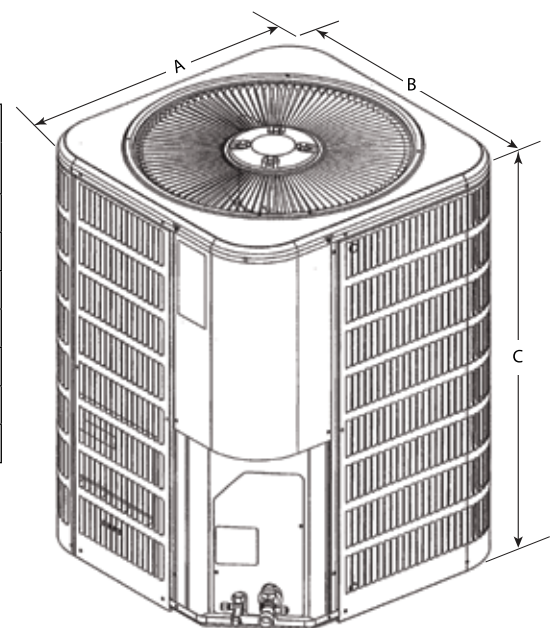
PHYSICAL AND ELECTRICAL DATA

Model	Voltage/Hz/Phase	Voltage Range	Min. Circuit Amp.	Max. Over Current Device (amps)	Compressor		Outdoor Fan Motor		Shipping Weight (lbs.)
					Rated Load (amps)	Locked Rotor (amps)	Rated Load (amps)	Rated HP	
MAC16018P-50A	208-230/60/1	197-253	11.9	20	9	48	0.7	1/10	134
MAC16024P-50A	208-230/60/1	197-253	14.6	25	10.9	59	1	1/6	152
MAC16030P-50A	208-230/60/1	197-253	17	25	12.8	68	1	1/6	169
MAC16036P-50A	208-230/60/1	197-253	18	30	13.6	79	1	1/6	181
MAC16042P-50A	208-230/60/1	197-253	23.4	40	17.9	112	1	1/6	211
MAC16048P-50A	208-230/60/1	197-253	24.2	40	18	117	1.7	1/4	218
MAC16060P-50A	208-230/60/1	197-253	29.6	50	22.2	128	1.8	1/3	226

Weights listed are unit weights with packaging
 + Factory charged for 15 feet of line set. Adjust per installation instructions.

UNIT DIMENSIONS & SOUND RATINGS

Model	Dimensions (inch)			Shipping Weight (Lbs.)	Sound Rating (dBA)
	A - Width	B - Depth	C - Height		
MAC16018P-50A	24.25	24.25	29	155	73
MAC16024P-50A	28.25	28.25	37	171	76
MAC16030P-50A	28.25	28.25	37	187	76
MAC16036P-50A	28.25	28.25	37	205	76
MAC16042P-50A	28.25	28.25	37	234	76
MAC16048P-50A	28.25	28.25	37	255	78
MAC16060P-50A	32.25	32.25	43	284	80



Note:
 Dimensions listed are unit sizes w/o packaging

ACCESSORIES

Description	Where Used	Kit Number
Low Ambient Kit	All Models	MLACK
Loss Of Charge Kit	All Models	(Factory Installed)
TXV Kit	18, 24, 30	H4TXV01
	36, 42, 48	H4TXV02
	60	H4TXV03

REFRIGERATION DATA

Model	Refrig. Charge (oz.) *	TXV	Refrigerant Line Size		Outdoor Unit Connection		Indoor Unit Connection	
			Suction	Liquid	Suction	Liquid	Suction	Liquid
MAC16018A	73	H4TXV01	3/4	3/8	3/4	3/8	3/4	3/8
MAC16024A	73	H4TXV01	3/4	3/8	3/4	3/8	3/4	3/8
MAC16030A	88	H4TXV01	3/4	3/8	3/4	3/8	3/4	3/8
MAC16036A	113	H4TXV02	7/8	3/8	7/8	3/8	7/8	3/8
MAC16042A	140	H4TXV02	7/8	3/8	7/8	3/8	7/8	3/8
MAC16048A	156	H4TXV02	7/8	3/8	7/8	3/8	7/8	3/8
MAC16060A	192	H4TXV03	1 1/8	3/8	7/8 **	3/8	7/8	3/8

*Factory charged for 15 feet of line set

** Adapter shipped with unit

NOTE:

For the latest AHRI system matches please visit
<https://www.ahridirectory.org>

All specifications and illustrations subject to change without notice and without incurring obligations.