

# Smart Interactive Display

## IV-SID-HD65



### Key Features

- 65" ultra-HD display
- Metal housing, 4mm AG anti-glare tempered glass, and ultra-thin and ultra-narrow appearance
- IR (Infrared Ray) touch technology, supports 20 points writing.
- Writing height below 2mm to bring smoother writing experience
- All-channel annotating, built-in Android writing software
- Smart sidebar menu
- Wireless screen sharing, convenient to presentation
- Built-in Android system and optional with Pluggable PC Module
- Double LAN bridging, supporting Android, Pluggable PC Module (Windows system) and external PC realize network bridging
- Public USB port auto switch
- Antenna hidden inside
- All channel can be loop-outed by HDMI

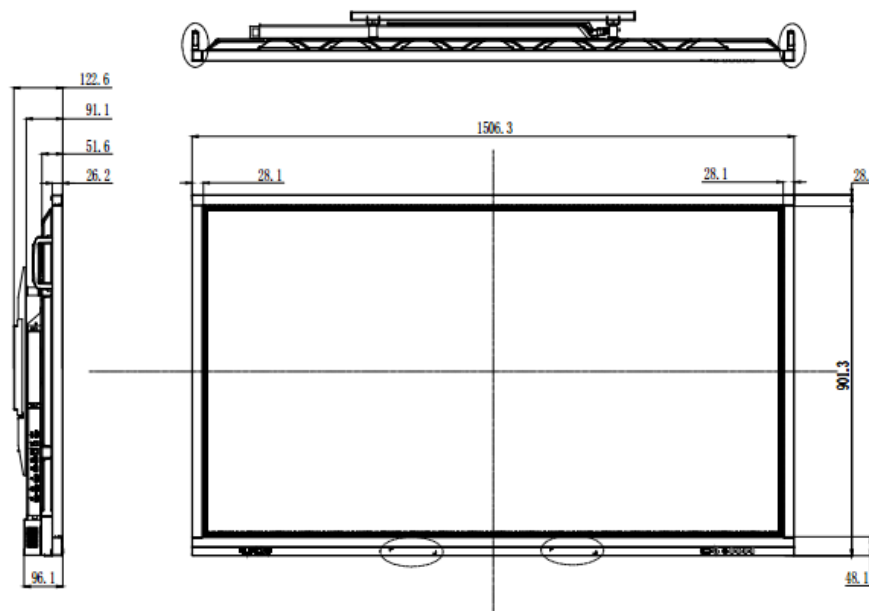
## Specifications

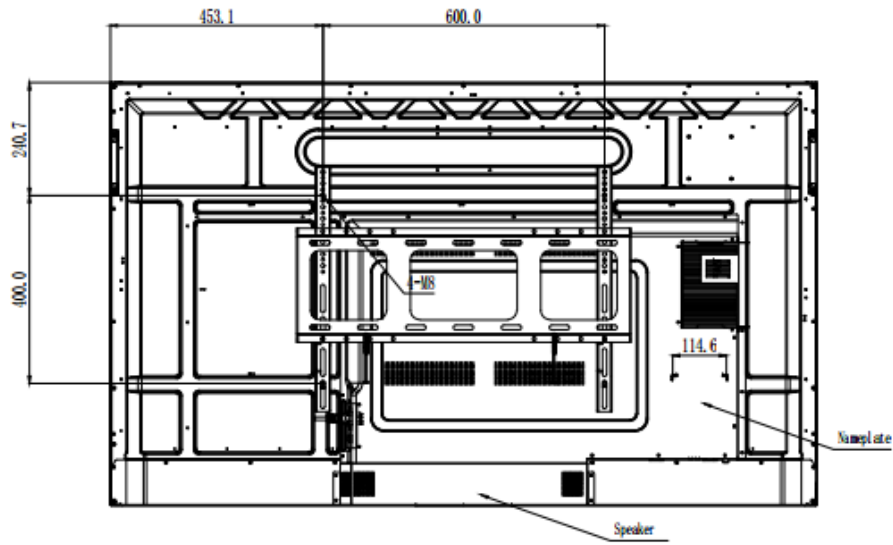
Model	IV-SID-HD65
<b>Display</b>	
Screen Size	64.53 inches
Backlight	D-LED
Pixel Pitch	0.496mm×0.372mm
Resolution	3840×2160
Brightness	450 cd/m <sup>2</sup>
Contrast	1200:1
Response Time	6 ms
Color	1.07B
Viewing Angle	Horizontal 178°, Vertical 178°
View Area	1428.48 (W) x 803.52(H)
<b>Android System</b>	
CPU Architecture	ARM A73+A53
CPU Working Frequency	1.5GHz
CPU Core	Quad Core
RAM	3GB DDR4
ROM	16GB
OS	Android 8.0
<b>Touch</b>	
Sensing Type	Infrared Touch Frame
Touch Accuracy	± 1mm
Surface Protection	4mm Toughened Glass
Response Time	≤10ms
Theory Clicks	Unlimited
Minimum Touch Object	≥2mm
<b>Interface</b>	
Input Interface	HDMI ×3、DP ×1、VGA ×1、LAN ×2、PC-AUDIO IN ×1、YPBPR ×1、AV ×1、TOUCH-USB ×2、OPS ×1、Android USB×2、Public USB×2、
Output Interface	HDMI×1、AV×1、S/PDIF×1、AUDID OUT×1
Control Interface	RS232-IN×1
<b>Speaker</b>	
Speaker	2×15W
<b>OSD</b>	
Multi- Language	22 (English, Turkish,Danish,Norwegian-Bokmol,Romanian,Greek,Arabic,France, Spanish, Portuguese, German, Italian, Dutch, Swedish, Finnish, Polish, Czech, Russia, Korea, Simplified Chinese, Traditional Chinese, Japanese )
<b>VESA</b>	

VESA	4-M8 Screw Hole 600mmx400mm
<b>General</b>	
Power Supply	100 to 240 V AC
Consumption	≤170 W(on without OPS) <0.5 W(Standby)
Operation Temperature	0°C ~ 40 °C
Operating Humidity	20%~80% (No Condensation)
Storage Temperature	-10~60°C
Storage Humidity	10%~80%(No-condensing)
Product Size (mm)	1506.3 (W) × 901.3 (H) × 96.1 (D)
Packing Size (mm)	1660 (W) × 1045 (H) × 245 (D)
Weight	Net Weight:42Kg Gross Weight:57Kg
<b>Accessory</b>	
Standard	Remote Control×1,Power Cable×1, HDMI Cable×1, USB A-B Cable×1, Touch Pen×2, Qualified Certificate Lable×1, User Manual×1, Quick Guide×1, Warranty Card×1, Wall Mount×1, USB WiFi Adapter×1

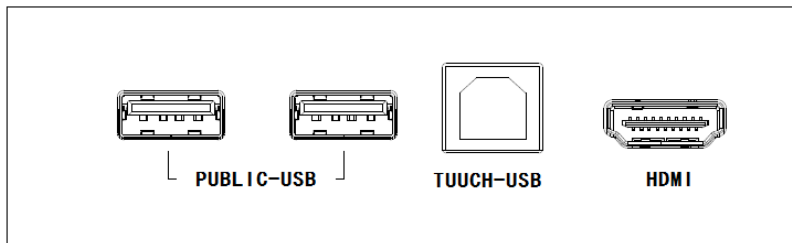
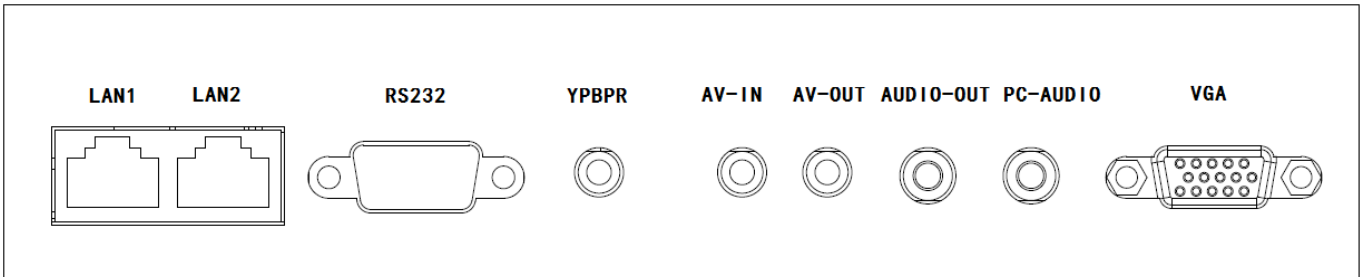
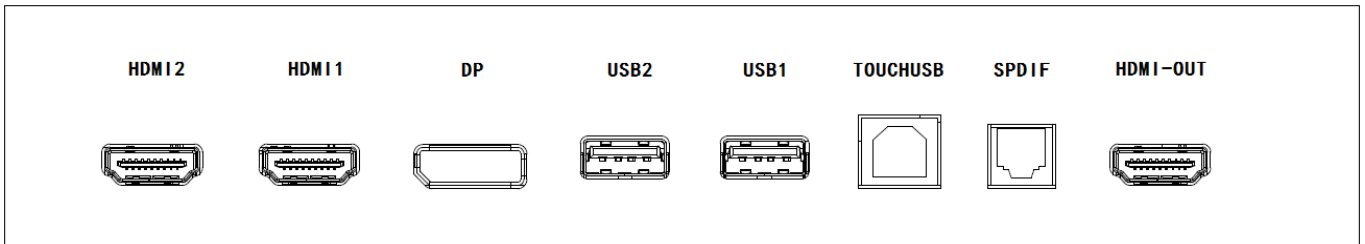
## Appearance

## Dimensions





## Interfaces



## Order Information

Model	Remake
IV-SID-HD65	Smart Interactive Display
Mobile Stand	Optional
External Pluggable PC Module (I7 Intel Core™ processors; not active)	Optional
External Pluggable PC Module (I5 Intel Core™ processors; not active)	Optional
USB Camera	Optional