



1080P Vandal Mini IP IR Pan/Tilt Dome Camera

IV-IPPT362MP

Features:

- 1/2.9" Low illumination CMOS
- H.265/H.264 & MJPEG
- 2.0 MP, 1920 x 1080P
- Color: 0.1 Lux/F1.2; B/W: 0.01Lux/F1.2
- Fixed lens 3.6mm
- Max 25°/s pan speed & max 20°/s tilt speed
- 355° pan range and 0° ~ 90° tilt range
- Day/Night, D-WDR
- DC12V/2A, PoE, IP66
- 2 pcs infrared light, IR distance up to 49ft; IR-CUT technology, automatic switching when the light is low

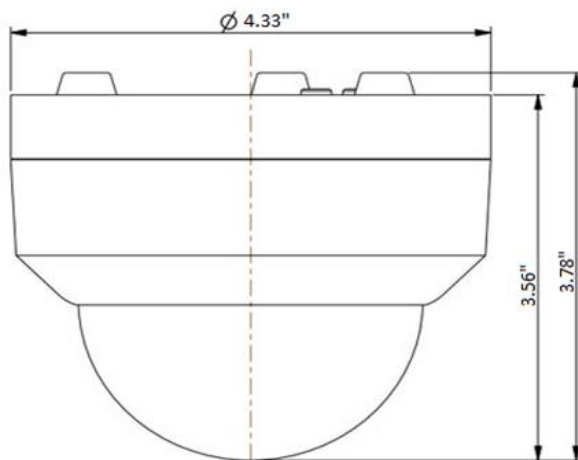


355° pan range & 0° ~ 90° tilt range

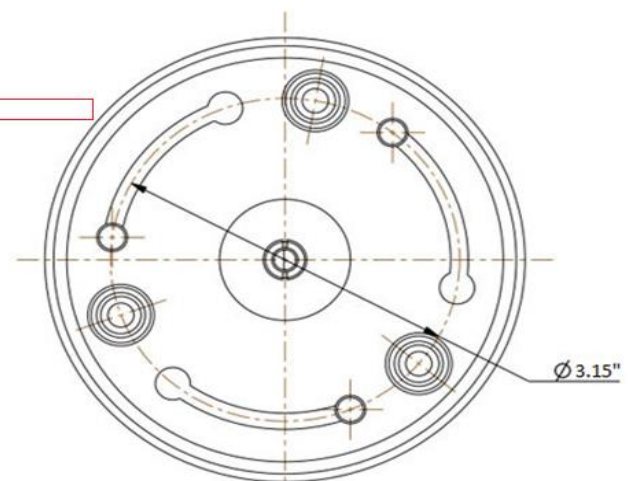


High sensitivity photo resistor
High-power infrared light

2pcs infrared light: make the night as clear as daytime



Product Dimension



Screw-In Plate for Easy Installation

Specification	IV-IPPT362MP
Image Sensor	1/2.9" low illumination CMOS
Effective Pixels	1920 (H) x 1080 (V), 2.0 Megapixels
Min. Illumination	Color: 0.1Lux@F1.2; B/W: 0.01Lux@F1.2
S/N Ratio	More than 50dB
Electronic Shutter Speed	Auto/manual (1/5 ~ 1/20000s)
Day/Night	Auto ICR / Color / B/W
Focal Length	Fixed 3.6mm
Max Aperture	F1.2
Pan Range	93°
IR Distance	up to 49ft (15m)
Pan Speed	355 °
Tilt Speed	0° ~ 20°/S
Tilt Range	0° ~ 90°
Proportional Zoom	No
Preset	16
Park Function	Support, preset
Resolution	1080P (1920 x 1080) / 720P (1280 x 720) / D1 (704 x 576) / 704 x 480 / CIF (352 x 288 / 352 x 240)
Bit Rate	32Kbps ~ 16Mbps
Video Compression	H.265/H.264/MJPEG
Network Protocol	TCP/IP, HTTP, DHCP, DNS, DDNS, RTP, RTSP, PPPoE, SMTP, NTP, UPnP
Interface Protocol	Onvif, xm, topsee private protocol
Network Ethernet	RJ45 (10M/100M Base -T)
Application Interface	Provide Linux, NindoNs SDK, CGI protocol
Browser	Support IE7, IE8, IE9, Chrome8+, Firefox3.5+
Power Supply/ Consumption	DC 12V2A, PoE / max 10W
Working Temperature	-4°F ~ 140°F (-20°C ~ +60°C)
Working Humidity	≤90%RH
Ingress Protection	IP66