

4MP Color-Low-Light Fixed Dome Network Camera

IV-DEF28CLL4MP-LT



Key Features



Optics

- Day/night functionality
- Smart IR, up to 30m (98ft) IR distance
- Optical glass window with higher light transmittance
- IR anti-reflection window to increase the infrared transmittance
- 2D/3D DNR (Digital Noise Reduction)

Compression

- Ultra 265, H.265, H.264, MJPEG
- ROI (Region of Interest)

Network

- ONVIF Conformance

Structure

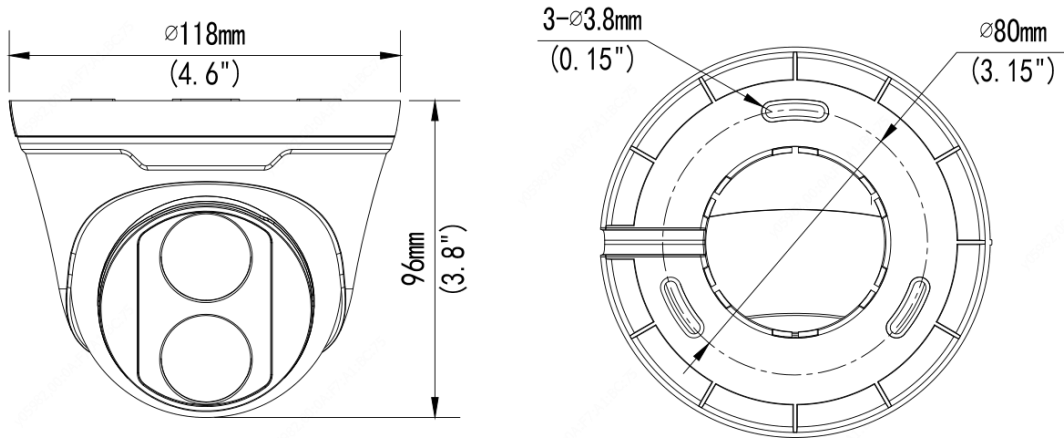
- Wide temperature range: -30°C ~ 60°C (-22°F ~ 140°F)
- Wide voltage range of $\pm 25\%$
- IP67

Specifications

IV-DEF28CLL4MP-LT											
Camera											
Sensor	1/3", 4.0 megapixel, progressive scan, CMOS										
Lens	2.8mm@F1.6										
DORI Distance	<table border="1"> <thead> <tr> <th>Lens (mm)</th> <th>Detect (m)</th> <th>Observe (m)</th> <th>Recognize (m)</th> <th>Identify (m)</th> </tr> </thead> <tbody> <tr> <td>2.8</td> <td>63</td> <td>25.2</td> <td>12.6</td> <td>6.3</td> </tr> </tbody> </table>	Lens (mm)	Detect (m)	Observe (m)	Recognize (m)	Identify (m)	2.8	63	25.2	12.6	6.3
	Lens (mm)	Detect (m)	Observe (m)	Recognize (m)	Identify (m)						
2.8	63	25.2	12.6	6.3							
Angle Of View (H)	105.3°										
Angle Of View (V)	57°										
Angle Of View (O)	136.9°										
Adjustment angle	<table border="1"> <thead> <tr> <th>Pan: 0° ~ 360°</th> <th>Tilt: 0° ~ 80°</th> <th>Rotate: 0° ~ 360°</th> </tr> </thead> <tbody> <tr> <td></td> <td></td> <td></td> </tr> </tbody> </table>	Pan: 0° ~ 360°	Tilt: 0° ~ 80°	Rotate: 0° ~ 360°							
Pan: 0° ~ 360°	Tilt: 0° ~ 80°	Rotate: 0° ~ 360°									
Shutter	Auto/Manual, 1 ~ 1/100000s										
Minimum Illumination	Colour: 0.005Lux (F1.6, AGC ON) 0Lux with IR										
Day/Night	IR-cut filter with auto switch (ICR)										
Digital noise reduction	2D/3D DNR										
S/N	>52dB										
IR Range	Up to 30m (98ft) IR range										
Wavelength	850nm										
IR On/Off Control	Auto/Manual										
Defog	Digital Defog										
WDR	120db										
Video											
Video Compression	Ultra 265, H.265, H.264, MJPEG										
H.264 Code Profile	Baseline profile, Main Profile, High Profile										
Frame Rate	Main Stream: 4MP (2688*1520), Max 25fps; 4MP (2560*1440), Max 25fps; 3MP (2304*1296), Max 30fps; 2MP (1920*1080), Max 30fps; Sub Stream: 720P (1280*720), Max 25fps										
Video Bit Rate	128 Kbps~16 Mbps										
OSD	Up to 4 OSDs										
Privacy Mask	Up to 4 areas										
ROI	Up to 4 areas										
Motion Detection	Up to 4 areas										
Image											
White Balance	Auto/Outdoor/Fine Tune/Sodium Lamp/Locked/Auto2										
Digital noise reduction	2D/3D DNR										
Smart IR	Support										
Flip	Normal/Vertical/Horizontal/180°										
Dewarping	Support										
HLC	Supported										
BLC	Supported										

Network	
Protocols	IPv4, IGMP, ICMP, ARP, TCP, UDP, DHCP, RTP, RTSP, RTCP, RTMP, DNS, DDNS, NTP, FTP, UPnP, HTTP, HTTPS, SMTP, SSL
Compatible Integration	ONVIF (Profile S, Profile G, Profile T), API
Client	Guard Station Guard Viewer Star4Live
Web Browser	Plug-in required live view: IE9+, Chrome 41 and below, Firefox 52 and below
	Plug-in free live view: Chrome 57.0+, Firefox 58.0+, Edge 16+, Safari 11+
Audio	
Audio Compression	G.711
Suppression	Supported
Sampling Rate	8KHZ
Storage	
Edge Storage	Micro SD, up to 256 GB
Network Storage	ANR
Interface	
Network	10/100M Base-TX Ethernet
Built-in Mic	Supported
Certifications	
Certifications	CE: EN 60950-1 UL: UL60950-1 FCC: FCC Part 15
General	
Power	DC 12V±25%, PoE (IEEE 802.3af)
	Power consumption: Max 3W
Dimensions (Ø x H)	Φ118 x 96mm (Φ4.6" x 3.8")
Net Weight	0.35kg (0.77lb)
Material	Front cover: metal Rear cover: plastic Bracket: plastic Bottom plate: metal
Working Environment	-30°C ~ 60°C (-22°F ~ 140°F), Humidity: ≤95% RH (non-condensing)
Storage Environment	-30°C ~ 60°C (-22°F ~ 140°F), Humidity: ≤95% RH (non-condensing)
Surge Protection	2KV
Ingress Protection	IP67

Dimensions

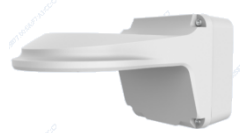


Accessories

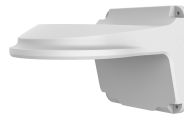
IV-JB03-I-IN



IV-JB07/WM03-G-IN



IV-WM03-D-IN



IV-UP06-IN



IV-A01-IN



IV-SE24-IN



IV-SE24-A-IN



IV-CM24-IN



Junction Mount	Pole Mount
IV-JB03-I-IN	IV-JB07/WM03-G-IN(IV-WM03-D-IN)+IV-UP06-IN
IV-CM24-IN+TR-JB03-I-IN	

