

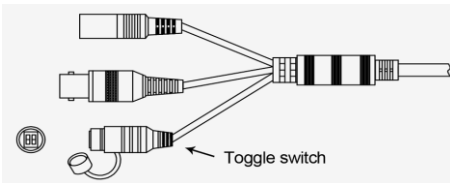
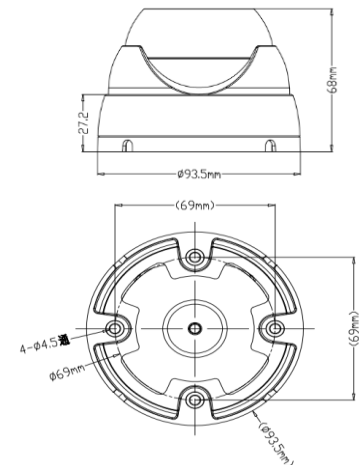


## 2MP 4 in 1 Mini Vandal Proof Eyeball Camera

IV-DEF282MP-FH

### Features:

- . 2.0MP 4-in-1 camera (HD-TVI/AHD/CVT/CVBS)
- . 2.0MP AHD/TVI, 2.0MP CVI /Analog video output
- . Fixed lens 2.8mm
- . 0.1Lux @ F1.2, 0 Lux IR LED on
- . Support ICR switch, 2D-DNR, Day/Nigh, D-WDR
- . 12pcs IR LED, IR distance up to 66ft
- . DC12V, IP66



### Use the OSD joystick to switch among the four video output modes:

Select your video protocol by switching the positions of the toggle switches per the below diagram. The toggle switches are located at the end of the camera cable



| SPECIFICATION                | IV-DEF282MP-FH   |
|------------------------------|--|
| Horizontal Resolution        | 2MP @ TVI / AHD / CVI / CVBS   |
| Image Sensor                 | 1/2.5" CMOS  |
| Signal System                | NTSC / PAL   |
| Effective Pixels             | 1920 x 1080  |
| Min. Illumination            | Color: 0.1Lux@(F1.2, AGC ON) 0 Lux LED on; B&W: 0.01Lux@(F1.2, AGC ON)                           |
| Synchronization              | Internal synchronization   |
| Video Output                 | TVI /AHD (2MP@25fps, 2MP/1080P@30fps); CVI (2MP@25fps, 1080P@30fps); Analog (1280x576, 1280x480) |
| S/N Ratio                    | 50dB(AGC OFF)  |
| UTC                          | Support  |
| NR                           | 2D DNR   |
| Shutter                      | Auto   |
| Day&Night                    | Smart / Color / B&W  |
| White Balance                | Auto / Manual  |
| OSD                          | English / Chinese / Spanish / Italian/Traditional Chinese  |
| AGC                          | Auto   |
| IR LED                       | 12pcs IR LEDs  |
| Lens                         | 2.8mm  |
| IR Range                     | 66ft (20m)   |
| Power Supply                 | DC12V±10%  |
| Power Consumption            | Max. 1.8W (Max. 3W with IR cut filter on)  |
| Weight                       | 1.08lbs (490g)   |
| IP Rating                    | IP66   |
| Working Temperature/Humidity | -4°F ~ 122°F (-20°C ~ 50°C)  |
| Working Humidity             | Humidity 90% or less (non-condensing)  |