

IS Series Linear Column Loudspeaker Systems.

High-quality
speech and
music, sleek
profile and
wide, yet
consistent
coverage.

IS column speakers are a cost-effective way to provide precise vertical dispersion, and consistent sound levels front-to-back of a venue... especially when combined with Ashly amps and processors that incorporate Protēa or AquaControl™ software (see page 4).

They fit perfectly next to flat-screens in conference rooms. Combined with an SP 12.1P sub, you can create an effective "system on a stick" for churches, wedding receptions and corporate events.

Both models ship with flush-mount brackets. Two IS speakers can be joined with an optional joining bracket. Pole and tripod mounts are also available.

Available in Black and White.



- Churches
- Conference and huddle rooms
- Bars and lounges
- Mobile DJ
- Distributed audio in HoW, schools, sports/health clubs and public spaces
- Solo/duo acoustic acts



 **ASHLY**®



**DATA
SHEET**
on
PAGE THREE

**This page
intentionally
left blank*.**

**Data Sheet
begins on the
next page.**

*Done so that those fortunate to have printers with 2-sided printing capabilities can print out the Data Sheet on one sheet of paper.

IS Series

Dual-Impedance Column Speakers

IS Series are slim column array speakers designed to deliver high-quality speech and music in venues that require high intelligibility, low physical profile and wide, yet consistent coverage.

They are a cost-effective way to provide vertical pattern control, and consistent sound levels front-to-back of a venue... especially when combined with Ashly amps and processors that incorporate Protea or AquaControl™ software (see next page).

IS columns fit perfectly next to flat-screens in conference rooms; combined with an SP 12.1P sub, you can create an effective "system on a stick" for churches, wedding receptions and corporate events.

Their durable all metal enclosures will withstand the rigors of portable use, as well as installation and an impedance switch (8 Ω/32 Ω) allows use for both 2/4 speaker or multiple speakers per channel (i.e. distributed) configurations, without loading down the amplifier and without the need for transformers.

Available in two configurations: IS 2.8P 2" x 8 Column and IS 3.8P 3" x 8 Column, they are designed to provide optimum performance when used with Ashly's Protea or AquaControl-based DSP.

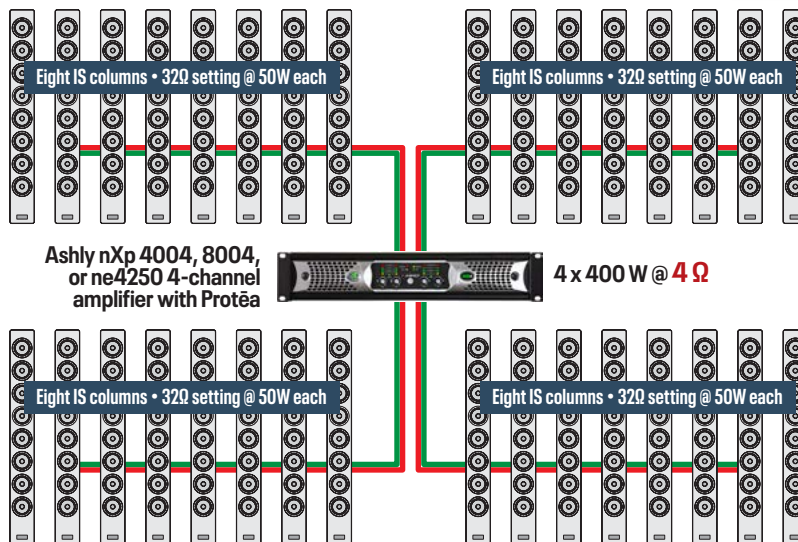
Two speakers may be stacked (using the optional plate) for additional throw where needed.

Add the SP-12.1P 12" Subwoofer for a kicking low-frequency response.

Flush wall brackets are supplied. Other mount options are also available. Available in Black or White



shown with SP 12.1P Subwoofer



8 Ω/32 Ω switch allows use for multiple speakers per channel (i.e.-distributed) configurations, without loading down the amplifier and without the need for transformers.

US toll-free +1.585.872.0010
 Fax +1.585.872.0739
 Sales@Ashly.com • www.Ashly.com



IS Series Dual-Impedance Column Speakers

Further sonic enhancement with Protêa and AquaControl™ software presets for selected Ashly amplifiers and processors.

IS speakers will please you with their performance and price. But specify...

- nXp series multi-mode amps with Protêa
- pēma series Protêa-enabled amps
- ne4250pe and ne8250pe network-enabled amp with Protêa
- ne series processors with Protêa
- or mXa-1502 mix amp with AquaControl and get:

- Directivity-weighted, optimized linear frequency response
- Universal crossover implementation for use with subwoofer and full-range speakers
- FIR-corrected linear phase response above about ~300 Hz

Optimized linear frequency response and universal crossover implementation only are available on ne24.24m.



The switch that gives you a "distributed" system with up to 32 IS speakers... but without having to use transformers.

IS 2.8 P and 3.8P column speakers are switchable to 32-ohm mode.



IS 2.8P shown with SP12.1P subwoofer and IS-PM6B Pole Mount

| | IS 2.8P | IS 3.8P |
|---|--|--|
| Transducer | 8 x 2-inch (51 mm) Neodymium | 8 x 3-inch (76 mm) Neodymium |
| Frequency Response (-10dB limits) ¹ | 115 Hz - 20 kHz | 105 Hz - 19 kHz |
| Sensitivity (ref 2.83V) ^{1,2} | 88 dB | 95 dB |
| Nominal Impedance | 8 Ω / 32 Ω switchable | 8 Ω / 32 Ω switchable |
| Maximum Continuous SPL, @ a MIV (continuous / peak) ^{1,2,3} | 104 dB / 115 dB | 113 dB / 124 dB |
| Maximum Continuous SPL, calculated from power handling (continuous / peak) ^{1,2,3} | 109 dB / 115 dB | 119 dB / 125 dB |
| Maximum Input Voltage (MIV) ^{1,2} | 28 dBV, 25.1V (equivalent to 80 W into rated impedance) | 30 dBV, 31.6 V (equivalent to 125 W into rated impedance) |
| Power Handling | 120 W | 240 W |
| Beamwidth ⁴ | Horizontal: 190° Vertical: 30° | Horizontal: 170° Vertical: 25° |
| Directivity Index (DI) ⁴ | 14.4 dB | 11.8 dB |
| Directivity Factor (Q) ⁴ | 27.4 | 15.2 |
| Input Connectors | 2 x ¼-inch (6.3 mm) phone jack 1 x 2-position Euroblock | 2 x NL4 SpeakOn 1 x 4-position Euroblock |
| Mounting Provisions | IS-TWM Tilt Wall Mount IS-FWM Flush Wall Mount Bracket (included) | IS-TWM Tilt Wall Mount IS-FWM Flush Wall Mount Bracket (included) |
| Enclosure Material | Aluminum | Aluminum |
| Dimensions (HxWxD) | 24.00 in. x 2.76 in. x 3.54 in. 610 mm x 70 mm x 90 mm | 31.77 in. x 4.06 in. x 5.12 in. 807 mm x 103 mm x 130 mm |
| Net Weight | 6.4 lbs. / 2.9 kg | 12.8 lbs. / 5.8 kg |
| Recommended amplifiers | Single-ch.: nXp 400 or higher Bridged: nXp 150 or higher Pema 4125, 4250, 8125, 8250 | Single-channel: nXp 400 or higher Bridged: nXp 400 or higher Pema 4125, 4250, 8125, 8250 |

- 1) With recommended processing (see previous page)
- 2) Referenced to 1m
- 3) The maximum input voltage (MIV) is determined by no more than a 3 dB change in the frequency response of the loudspeaker system
- 4) Averaged from 400 Hz to 10 kHz

USER MANUAL



SCAN ME

Or download the complete User Manual at http://ashly.com/wp-content/uploads/2019/09/IS_Manual.pdf

AW SERIES ARCHITECT & ENGINEERING SPECIFICATIONS

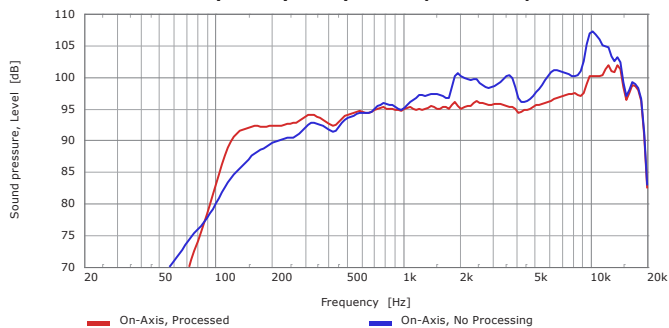
in .txt and MS Word .docx format are available in the **DOWNLOADS** section of <http://ashly.com/IS series>

AW SERIES 2D AUTOCAD FILES

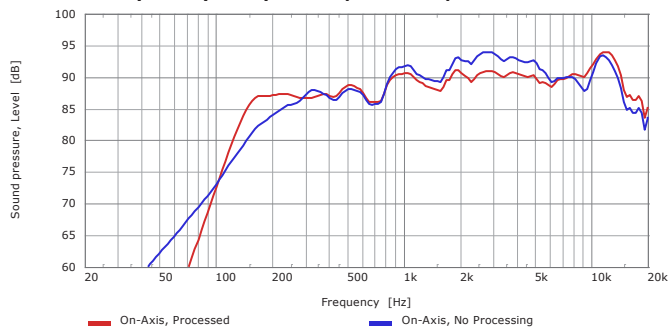
are available in the **DOWNLOADS** section of <http://ashly.com/IS series>

IS Series Dual-Impedance Column Speakers

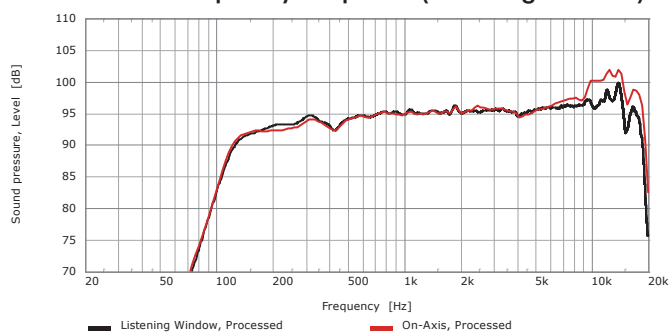
IS 3.8P Frequency Response (On-Axis)



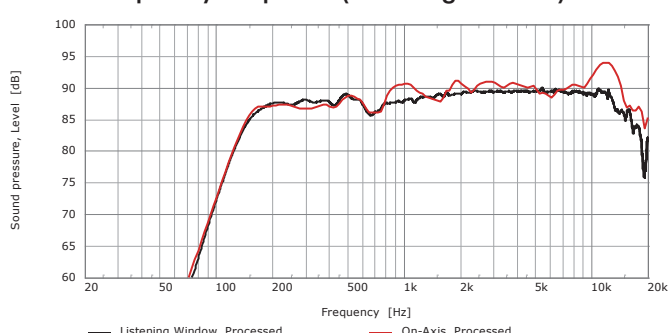
IS 2.8P Frequency Response (On-Axis)



IS 3.8P Frequency Response (Listening Window)



IS 2.8P Frequency Response (Listening Window)



Two IS 2.8PWs with IS-JP2 Joining Bracket

IS-PM6B Pole Mount



SP 12.1PW Subwoofer

IS-PM6B Pole Mount



SP 12.1PB Subwoofer

IS-TR7B Tripod Mount



Flush Mount brackets (included with IS 2.8Ps and IS 3.8Ps)

IS-TWM Tilt/Swivel Mount for IS 2.8Ps and IS 3.8Ps



IS-JP2B Joining Bracket shown on two IS 2.8PWs



Ashly Audio, Inc. • 847 Holt Road • Webster, NY
USA • US toll-free +1.585.872.0010
Fax +1.585.872.0739 • Sales@Ashly.com



www.ashly.com