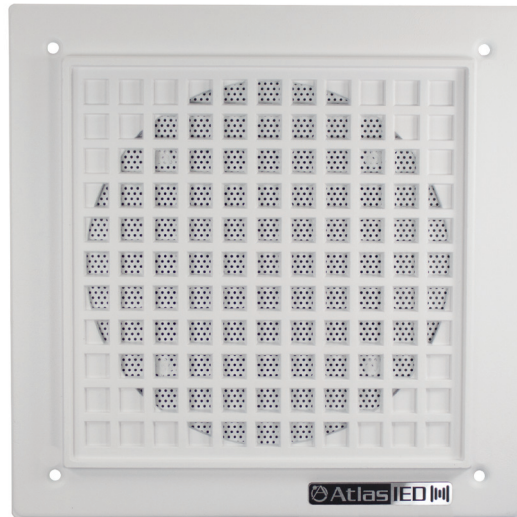


IP-HVP

PoE+ Vandal and Weather Resistant Wall Mount IP Speaker



Features

Network Features

- Dynamic or Static IP Address
- IEEE 802.3 10/100Base-T Ethernet
- IEEE 802.1q Tagging
- IEEE 802.3af and 802.3at Compliant

Audio Codec Support

- G.711 u-law / a-law (16 kbit/s)
- G.729 Wideband Audio (64 kbit/s)

Auto Provisioning

- DHCP Option 66, 150, or TFTP Server
- DHCP Option 72 for HTTP Server

Auto Registration

- SLP for InformaCast
- DHCP Option 72 for Syn-Apps' Revolution or GCK

Static Configuration

- HTTP GUI for Static Configuration
- Cisco SRST

Audio Features

- Integrated Amplifier
- Aux Audio Line-In Balanced (2.8Vpp 10K)
- Aux Audio Line-Out Balanced (2.8Vpp 10K)

Additional Features

- 2 General Purpose Inputs
- 1 General Purpose Output (2A @ 30 VDC)
- Phone / Night Loud Ringer
- External Power Supply Option
- Highly Efficient Horn Speaker Provides Greater Output and Coverage

General Description

AtlasIED IP-HVP is a vandal proof, weather resistant, wall mount IP speaker with high-output horn. It compliments the Unified Communications (VoIP Communications) investment including on-premises and hosted infrastructure platforms so that information can be pushed to spaces beyond the world of desktop telephony communication and breaking any traditional audio-path barriers. The speaker grilles are vandal and weather resistant. Manufactured of cast aluminum alloy, the grille provides security and durability in indoor and outdoor applications.

Applications

AtlasIED IP-HVP registers as a communication endpoint directly within InformaCast, GCK, and Syn-Apps' Revolution advanced notification applications, supporting audio broadcast to enhance physical security while improving day-to-day communications through advanced alerting, bell schedules, pre-recorded & scheduled announcements, while leveraging the WAN or LAN network architecture.

When used within a Cisco environment, the IP-HVP speakers can join Cisco's Unified Survivable Remote Site Telephony (SRST) as a supported device. Cisco's SRST provides remote location call-processing redundancy when access to the centralized Cisco Unified Communications Manager is interrupted because of a WAN outage. The ability of LAN communication between any combination of phones and speakers is particularly critical during an emergency (which may be the actual cause of the WAN outage).

Where 3rd party notification applications are not required, the vandal proof and weather resistant IP speaker can register as SIP devices directly to a SIP server or VoIP Communications Manager for critical alerts and public address applications.

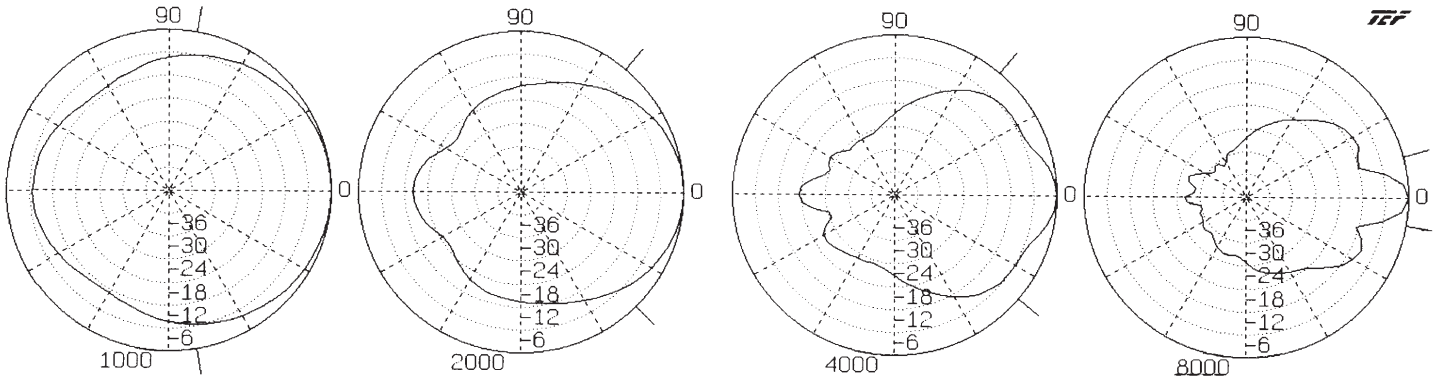
System	
Type	PoE+ Vandal and Weather Resistant Wall Mount IP Speaker
Indicators	Network Status (On Back)
Frequency Response (+/- 5dB)	600 - 14,000 Hz (Nominal)
Vertical Coverage	95° (-6dB, 2000 Hz Octave Band)
Horizontal Coverage	95° (-6dB, 2000 Hz Octave Band)
Directivity Factor (Q)	7.3 @ 2 kHz
Max SPL at 1m (Passive)	120dB at 15 Watts (Peak)
General Purpose Interface	Two Trigger Inputs / One Relay Output (2A @ 30 VDC)
Transducers	
LF Transducer Qty and Size	(1) 3.8" (97mm)
HF Transducer Qty and Size	N/A
HF Crossover Frequency	N/A
Voice Coil Size	1.25" (32mm)
Cone Material	Double Entrant Compression Driver
Sensitivity	104dB at 1 Watt / 1 Meter Average
Amplification	
Type	Single-Channel Class D Topology with Primary and Secondary Outputs
AC Power Input	PoE or PoE+ and External 24VDC
Power Rating (RMS)	12 Watts Max (802.3AF) / 25 Watts Max (802.3AT)
THD	<0.2%
Cooling	Passive / Convection
Driver Protection	Built-In Limiter
Audio Inputs and Outputs	
Input: Analog Audio Type(s)	One Balanced Line Level
Input: Analog Connectivity	Secured Screw Terminal Block
Input: Network Audio Type(s)	G.711 U-Law / A-Law and G.722 Capable
Input: Network Connectivity	RJ-45 female
Output: Analog Audio Type(s)	One Balanced Line Level
Output: Analog Connectivity	Secured Screw Terminal Block
Output: Digital Audio Type(s)	G.711 U-Law / A-Law and G.722 Capable (Multicast)
Output: Digital Connectivity	N/A
Output: Speaker Level	8Ω, 12W (802.3AF), 25W (802.3AT)
Output: Speaker Connectivity	Primary and Slave Secured Screw Terminal Block
Software	
GCK Compatible Version	3.0+
InformaCast Advanced Compatible Version	8.0+
InformaCast Fusion Compatible Version	3.0+
SA-Announce Compatible Versions	9.0.18+
Network	
Ethernet	IEEE 802.3 10/100Base-T
POE	IEEE 802.3 AF/AT Compliant
VLAN	IEEE 802.1q Tagging

Protocols	
IP Addressing	DHCP / Static
Auto-Provisioning	HTTP / TFTP
Auto-Registration	HTTP / Service Location Protocol / IEDNet
Time	NTP or Host Server
Telephony	SIP
Enclosure	
Color	White
Grille Material	Powder Coated and Perforated Cast Aluminum Alloy
Baffle Material	18-Gauge Corrosion-Resistant Zinc Plated Steel
Mounting / Rigging Provisions	Mounting Enclosure is Not Included (See Optional Enclosure)
Safety Agency Ratings	ETL Listed to Comply with 62368-1, CSA C22.2 #62368-1, IEC 62368-1 CB Scheme and FCC
Ingress Protection	IP-45
Logo	Silver and Black
Product Dimensions (HxWxD)	10.75" x 10.75" x 4.5" (273mm x 273mm x 114mm)
Shipping Dimensions (HxWxD)	11.75" x 11.75" x 7" (299mm x 299mm x 178mm)
Net Weight - lbs	5.11lbs (2.32kg)
Shipping Weight - lbs	6.54lbs (3kg)
Warranty Coverage	
Warranty Period	1 Year

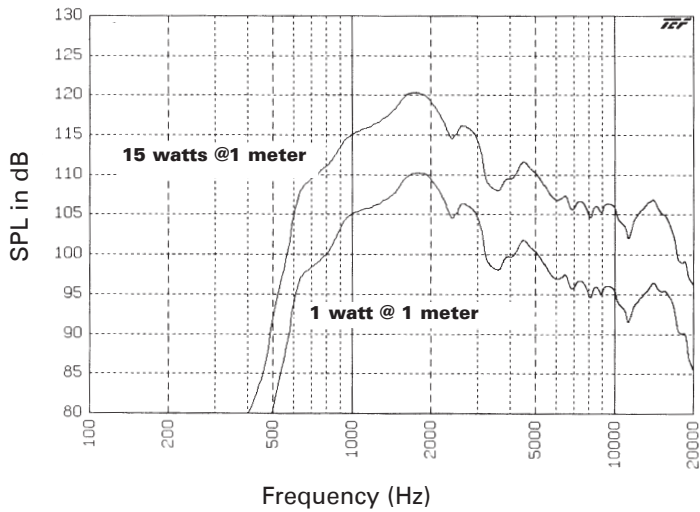
NOTES:

1. Sensitivity: Half space pink noise measurement at 6 ft (1.8 m) at 20% power; extrapolated to 1 meter and an input of 2.83 volts RMS.
2. Watts: All wattage figures are calculated using the rated nominal impedance.
3. Frequency response and sensitivity are half-space measurements.

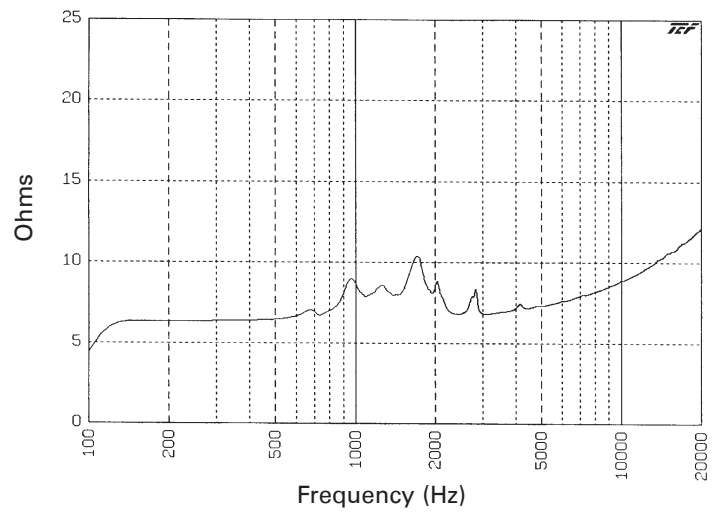
Polars Are Normalized To Zero On Axis (-6dB)



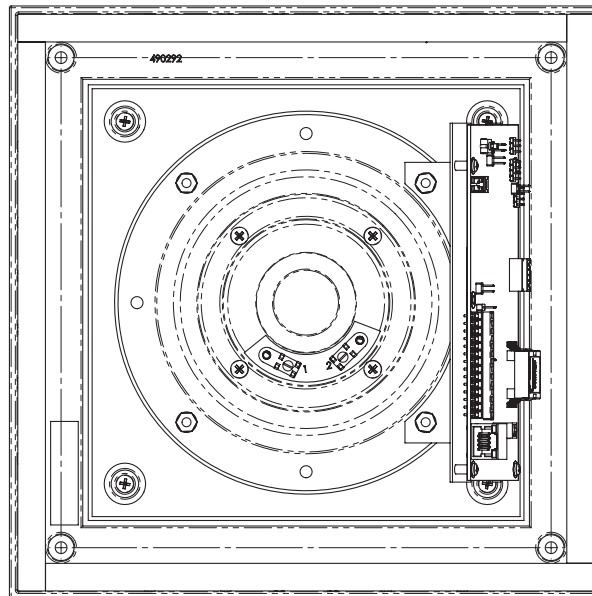
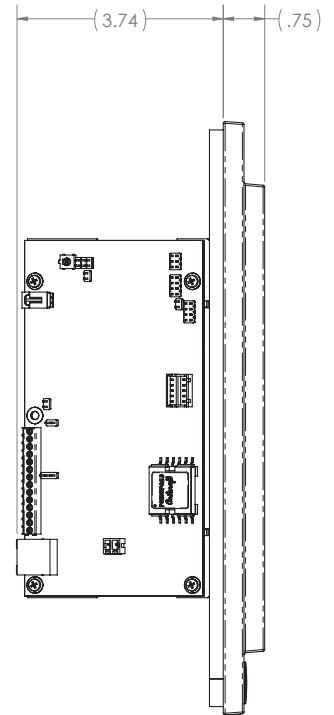
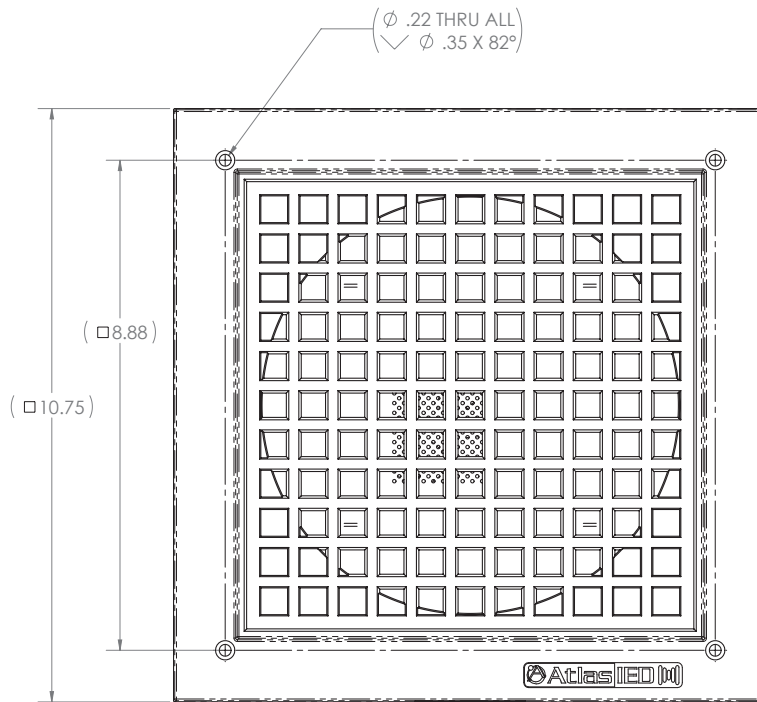
Frequency Response



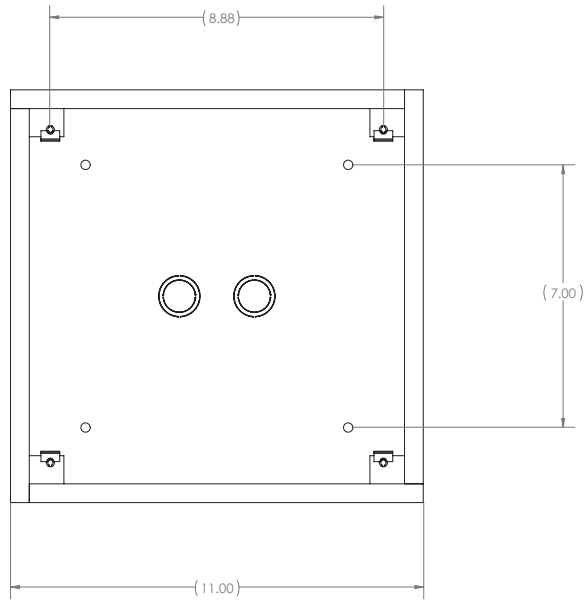
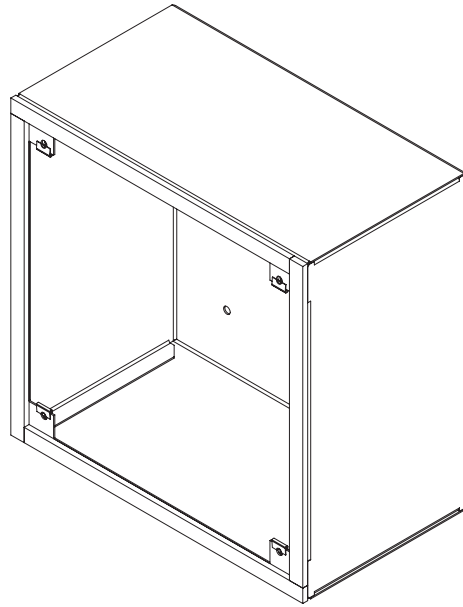
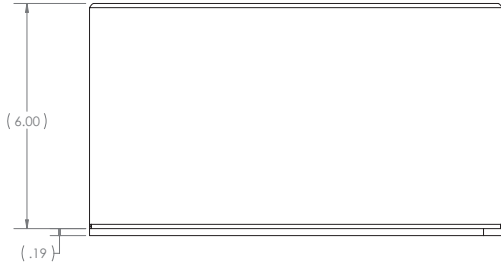
Impedance



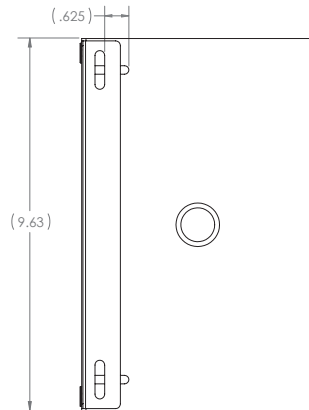
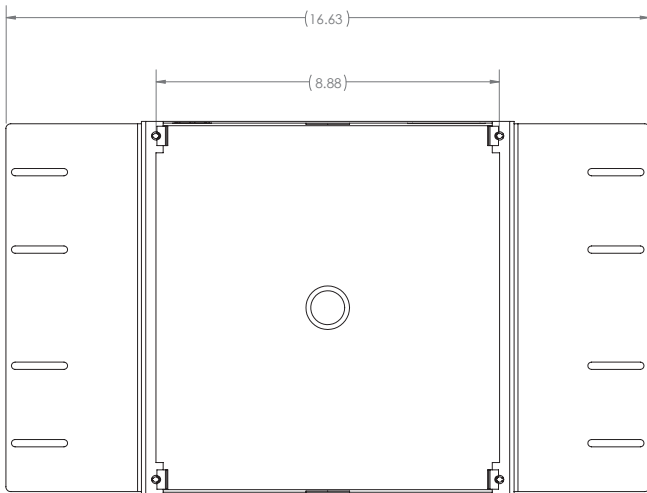
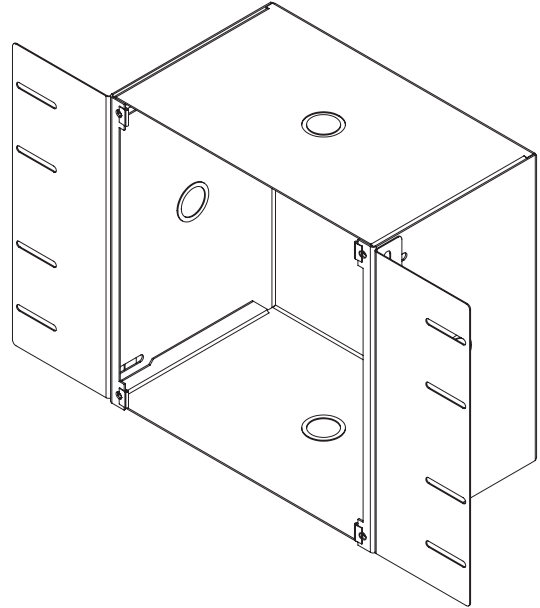
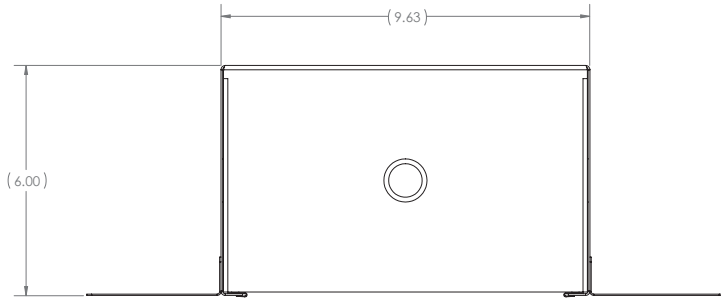
Dimensional Drawings



Accessories
IP-SEST-IH



Accessories
IP-FEST-IH



Architect and Engineer Specifications

The unit shall be AtlasIED model IP-HVP. The PoE+ vandal-proof outdoor IP Endpoint Speaker System shall include factory assembled horn, IP addressable PCB amplifier / control, and cast aluminum alloy baffle.

The horn shall be a double re-entrant type with a 3.8" high-output compression driver mounted within weather-resistant housing. The impedance shall be 8 ohm and a voice coil diameter of 1.25" (32mm). Frequency response shall be 600-14,000 Hz (nominal), 700-5500 Hz (\pm 5dB). Sound pressure level shall be 114dB at 1 Watt / 1 meter, 104dB at 1 Watt / 1 meter, and max peak output at 1m shall be 120dB SPL. Sound dispersion angle shall be 95°. The Horn dimensions shall be Dia 5^{5/8}" x D 3^{7/16}" x Dia Flange 6^{15/16}".

The amplifier / control board shall incorporate conformal coating to protect against moisture, dust, chemicals, and temperature extremes. It shall receive announcements and messages using dynamically routed data on a standard Ethernet Network. It shall include a Single-Channel Class D Topology amplifier with Primary and Secondary Outputs capable of producing 25-watts RMS when using an IEEE 802.3at compatible PoE+ switch or 24VDC local power supply and 12-watts RMS when used with an IEEE 802.3af compliant PoE switch. Interconnect shall be via female RJ-45 connector mounted to the PCB.

The amplifier / control board shall include (2) logic inputs, (1) relay output, (1) Auxiliary Balanced line level audio input and (1) Balanced line level audio output. The Auxiliary Line Level input shall include an auto mute function that is activated when a broadcast is sensed from the control application.

The amplifier / control board shall include a Graphical User Interface (GUI) for SIP configuration. The SIP implementation shall support standards G.711, G.722 and RTP protocols. The Graphical User Interface (GUI) shall configure and manage logic inputs, relay outputs, and Auxiliary audio input.

All control functionality shall be determined via software. It shall be compatible with AtlasIED's GCK, Syn-Apps' Revolution, Singlewire's InformaCast software platforms and SIP standalone operation. The PoE+ Outdoor IP Endpoint Speaker System overall dimensions shall be 10.75" (273mm) x 10.75" (273mm) x 4.49" (114mm). The vandal-proof grille shall be cast from self-aging aluminum alloy with a tensile strength of 44,000 PS.I with a textured white epoxy finish.

Optional enclosures shall include:

IP SEST-IH	Surface mount enclosure for IP-HVP neutral white finish
IP-FEST-IH	Flush mount enclosure for IP-HVP neutral stainless steel