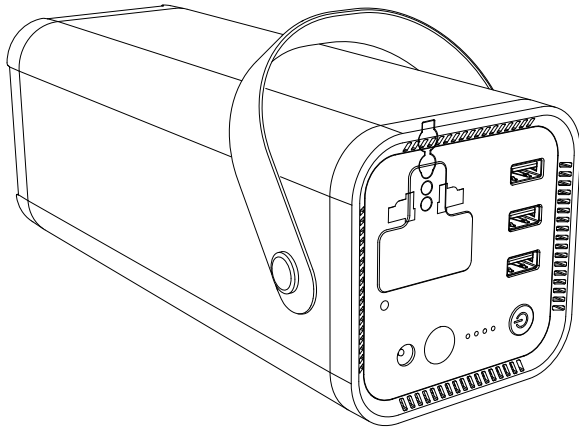




# Portable Solar Generator



## User Manual

EN



### CHARGE ME NOW

Before reading through the rest of the manual, plug your generator into the wall. You should store your generator plugged in, so the battery is always healthy and full.

#### Table of Contents

Our products are designed to keep you powered while you're doing what you love. Whether you're climbing in the Himalaya, living in your van while you travel the world, or camping in your backyard we will keep you powered.

#### Getting Started

1. Get to Know Your Generator
2. Package contents
3. What it Powers

#### Charging your Generator

1. Charging from Solar
2. Charging from the wall

#### Using your Generator

1. What can I Power?
2. How to Use
3. Best-Use Strategy
4. Cold Weather Usage
5. Pure-Sine Wave Inverter
6. Storage and Downtime Maintenance

#### Specifications

LED Indicator

Power Button

#### Frequently Asked Questions

Troubleshooting

Education

1. Batteries 101

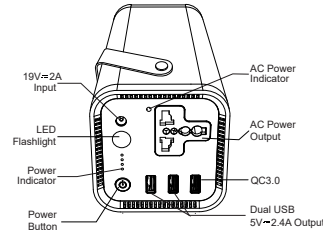
2. Solar 101

Warranty

Cautions

Portable Solar Generator, a plug-and-play generator for emergencies, camping, or wherever you need power. you can keep Quadcopter drone, mini CPAP, fan, car mini refrigerator, laptops, lamp and more appliances going for hours longer.

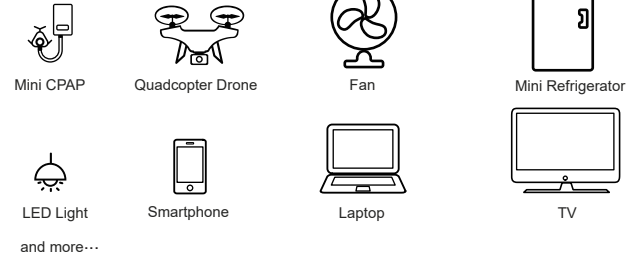
#### Get To Know Your Gear



#### Package Contents

- ① Generator x1
- ② 19V/2A adapter x1
- ③ AC Power Cord x1
- ④ User Manual x1

#### What it Powers



#### Charging Your Generator

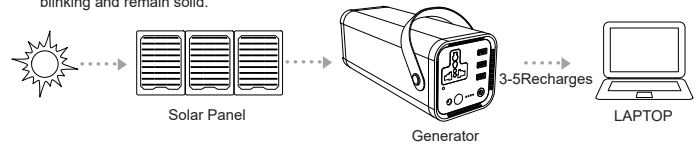
**CHARGE ME NOW:** Before using or storing, plug your generator by 19V/2A adapter into the wall until it is fully charged. If at any point when 1st LED blinking from your generator, plug it into a power source, like an AC outlet or a solar panel, as soon as possible. This built-in warning indicator is to help prevent battery damage when the charge gets low. For more tips and tricks on keeping your battery healthy, see the BATTERY 101 section.

**Power LED Indicators:** The power LED indicator indicates the charge level of your generator. There are 4 segments to the battery, approximating 25% - 50% - 75% - 100% capacity. As you use your generator, indicating the remaining charge. When charging your generator you will notice a battery segment blinking at a 1 second interval. This indicates the current charge status. Once your generator is fully charged, all battery segments will be lit and remain solid.

#### • Charging from Solar Panel

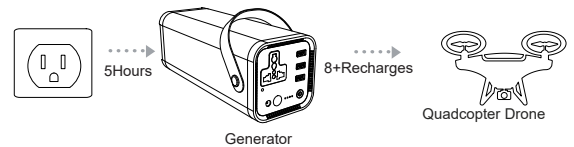
The generator charging port is located on the top-left corner of the faceplate. This DC port is designed to work with our solar panels and is capable of taking in 19V output of solar.

1. Place your solar panel where it will get as much direct sunlight as possible.
2. Connect with solar panel to DC INPUT port on the front of the generator. You will know the generator is charging when the blue LED light next to the INPUT port lights up, and the battery LED indicator are blinking. The generator is fully charged when all battery segments stop blinking and remain solid.



#### • Charging from the Wall

Using the included AC 19V/2A adapter, plug your generator into any wall outlet by 19V/2A adapter. You will know the generator is charging when the blue LED light next to the INPUT port turns on, and battery LED indicator are blinking. The generator is fully charged when all battery segments stop blinking and remain solid. The generator should recharge from the wall in about 5 hours.



#### Using your Generator

##### 1. What can be powered by your generator:

USB: Smartphones, MP3 Players, Digital Cameras, E-readers, Tablets, etc.

AC: Laptops, Quadcopter drone, CPAP, Fan, Mini refrigerator, Display Monitors, Appliances, TVs, etc.

##### 2. How to use your generator:

- Press the power button located above each port you will be using.
- You'll know the port is turned on when the green LED light on the button is illuminated.
- \*\*When the AC port is not in use, turn it off to conserve power (double click the button).
- Plug in your gear for power anywhere life takes you.
- If possible, keep your generator plugged into a power source when not in use

##### 3. Best-Use Strategy:

When recharging gear with your generator, take note of the LED indicator. If you plug in devices that have a high power requirement, the charge level of your generator will drop quickly and you may not get the entire capacity to use. On the flipside, if you're recharging devices that draw power more slowly (a tablet), you will get closer to entire capacity from your generator. If you're experiencing shorter runtimes, you may want to check the device's power requirements, see TROUBLESHOOTING for help.

##### 4. Cold Weather Usage:

Cold temperatures (below freezing) can impact the generator's battery capacity. If you'll be living off-grid in sub-zero conditions, we recommend keeping your generator in an insulated cooler, and connected to a power source (solar panels). The natural heat generated by the generator contained in an insulated cooler will keep battery capacity at its highest.

##### 5. Pure-Sine Wave Inverter

Your generator has a built-in pure-sine wave inverter, which means it provides the cleanest power for your devices.

## 6.Storage and Downtime Maintenance:

Having your generator connected to a power source, like a solar panel or wall outlet, between adventures or while in storage keeps its battery healthy and topped off. This prolongs battery life and will ensure your generator is charged and ready to go all day, every day.

If you can not keep your generator plugged into a power source during storage, fully-charge your generator every 3 months and store it in a cool, dry place.

Failure to maintain your generator by following these steps can result in battery damage which will void the product warranty.

## Specifications

Capacity:	154Wh (3.7V/41600mAh) 172Wh (3.7V/46400mAh)	option
Battery Type:	Lithium-ion cell	
Input:	DC 19V/2A by Adapter or Solar Panel	
AC Output Power:	Rated Output Power: 200W max	
AC Output:	100-120V~60Hz ( for Generator1 version) 220-240V~50Hz ( for Generator2 version)	
DC Output:	USB-1:5V/2.4A Max USB-2:5V/2.4A Max USB-3:QC3.0	
Inverter Waveform:	Pure Sine Wave	
Net Weight:	1.8Kg/63oz	
Dimension:	232.5x90x90mm / 9.1x3.5x3.5in	
Warranty:	12 months	
Protection:	Low Voltage Protection Over Voltage Protection Over Power Protection Over current Protection Over Temperature Protection Short Circuit Protection	

## LED Indicator

There are four LED indicators to display the battery level status of the portable solar generator. When being recharged, the LED indicators will light up based on the current battery level:

Charging: (⏻):LED flashes; (○): LED is off; (●): LED is on)

Battery Status Indicator	Battery Level
⏻ ○ ○ ○	0% - 25%
● ⏻ ○ ○	26% - 50%
● ● ⏻ ○	51% - 75%
● ● ● ⏻	76% - 99%
● ● ● ●	100%

When devices are connected, the LED indicators will light up as follows:

(●): LED is on; (○): LED is off ⏻:LED flashes)

Battery Status Indicator	Battery Level
● ● ● ●	100% - 75%
● ● ● ○	75% - 50%
● ● ○ ○	50% - 25%
● ○ ○ ○	25% - 10%
⏻ ○ ○ ○	≤10%

• Low Battery: When the battery is lower than 10%, the 1st LED will be blinking. Output for the USB port and AC output will automatically stop working until battery is empty.

• AC Power LED indicator: When it is green, AC output is on, when it is red, AC output is faulty, need to reboot

## Power Button

- when the AC output is off, double click the Power Button to turn on the AC output. Press the button again to show the remaining battery level before charging another device.
- when the connected device is fully charged, the AC output will automatically shut off. Turn it on again before charging another device.
- If the AC output fails, double click the Power Button to turn on the AC output again.
- How to turn on/off LED flashlight
  - Long press 3s to turn on LED flashlight;
  - Continue to long press 3s to turn on SOS mode;
  - Continue to long press 3s to turn on strobe mode;
  - Continue to long press 3s to turn off LED flashlight.

## Frequently Asked Questions

### 1.Does a pure-sine wave inverter mean?

When it comes to power, you might have heard the letters DC and AC thrown around. DC stands for Direct Current, and is the only type of power that can be stored in a battery. AC stands for Alternating Current, which is the type of power your devices use when they're plugged into the wall. An inverter is required to change DC output to AC output and requires a small amount of power for the change. You can see this by turning on the AC port.

A pure-sine wave inverter, like the one found in your generator, produces an output that is exactly the same as supplied by an AC wall plug in your house.

Although integrating a pure-sine wave inverter takes more components, it produces power output that makes it compatible with almost all AC electric devices you use in your house.

So in the end, the pure-sine wave inverter allows your generator to safely power almost everything under watts in your house that you would normally plug into the wall.

### 2.How do I know if my device will work with the generator?

First, you'll need to determine the amount of power your device requires. This may require some research on your end, a good online search or examining the user guide for your device should suffice. To be compatible with the generator, you should use devices that require less than 200W.

Second, you will need to check the capacity for the individual output ports. For example, the AC port is monitored by an inverter that allows for 200W of continuous power. This means if your device is a pulling more than 200W for an extended period of time, the generator's inverter will very hot dangerous shut off. Once you know your device is compatible, you will want to determine how long you will be able to power your gear from the generator.

### 3.How to charge my iPhone?

Connect iPhone with generator USB output socket by cable(if generator does not automatic run, just short press power button to switch on the generator)

### 4.How to supply power for my TV/Laptop/Drone?

Connect your TV to AC output Socket, then double click the button to switch on the generator, when the AC power LED is green color, it starts to supply power for your TV.

## Troubleshooting

If your devices are not recharging from your generator, follow these steps:

- Ensure the AC Output Port has been turned on. The green LED light should be lit up.
- Check the Battery Power LED Indicator. If it is at 25% or below, recharge your generator(if you charge from AC).
- Verify your device is suitable for use with the generator:
  - All of the generator output ports have their own max power capacity. Check the generator's Tech Specs to ensure your device is compatible.
  - Some devices with rechargeable batteries, like laptops and tablets, may pull more watts when in use. In these cases, power down your device and recharge it.If you are still experiencing trouble with your generator, please contact our Customer Solutions Center by email.

## Education

**BATTERIES 101:** Our utilizes the latest and greatest in battery technology to accompany you on all life's adventures. From the versatile and lightweight Lithium Ion, we've compiled some helpful tips to keep your batteries working their best.

### 1.Batteries need exercise

The best thing for any battery is to use it. Don't leave a charged battery sitting around, unloved and unused for long periods of time.

### 2.Read the manual.

Yeah, it might be a long read, but the manual is the best place to find the dos and don'ts for the battery in your specific device. Reading your manual will ensure you're taking steps to keep your batteries happy and healthy.

**SOLAR 101:** We makes it easy to recharge your gear from the sun – we didn't invent solar power, we perfected it. Some things to keep in mind when recharging your gear with solar power:

### 1.Solar panels don't store power from the sun, they collect it.

We teach you to COLLECT – STORE – USE, which is the best way to utilize solar power to recharge your gear.

### 2.Not all solar charge times are created equal

Most solar panel manufacturers calculate their recharge times with the following equation: Device Watt Hours/Solar Panel Watts = Solar Recharge Times.For example: So theoretically, a 13 watt solar panel would recharge a 50 watt-hour recharger in 3.84 hours (50/13 = 3.84) – and this is the number you could find in marketing material for a solar panel. However, in order to standardize results across all manufacturers, these tests are completed in laboratory settings. The truth is, on a good, sunny day, you'll receive about 50-75% of your solar panel's rated wattage, and this is how the engineers at our calculate the solar recharge times you see on our packaging.

### 3.Solar works, even in overcast conditions.

Solar panels utilize IR, UV, and visible rays from the sun that can penetrate through clouds. Although the efficiency of the solar panel will decrease in cloudy conditions, you'll still be collecting valuable power from the sun.

### 4.Keep away from shade and windows.

Although you should seek out the shade on sunny days, your solar panels will collect more power when fully exposed to the sunlight. Windows also have a habit of decreasing efficiency. So keep those panels outside and in the bright sunlight.

### 5.Proper alignment works wonders.

Keeping your solar panel angled toward the sun can dramatically increase solar efficiency. Set it up and let Mother Nature do the rest.

## Warranty

Our products are covered by 12 month limited warranty from the date of its original purchase. If any problems occur, please contact our support team.

## Caution

- Keep away from heat sources and liquids.
- Please do not dismantle this product.
- Fully charge the power bank at least once every 3 months.



- When generator is very hot, stop to use until it is cool to normal temperature. It may happen when you load devices over its rated output power.
- When inside temperature is over 60°C, the unit will automatic shut down to protect and keep safety. After the temperature is lower than 45°C, the power generator will be back and ready for use.



Add:4120 Valley Blvd. Walnut, CA 91789.USA  
Tel: 1.626.575.8822 Email:sales@acopower.com