



Hall Technologies • 1234 Lakeshore Dr Suite #150 Coppell, TX 75019 • halltechav.com

HT-SATELLITE-EXT

Add-On Microphone for the Mercury Video Bar

USER MANUAL

December 29, 2022



Table of Contents

Introduction	3
Overview	3
Features.....	3
Package Contents	3
Panel Description	4
Installation.....	5
Application	5
Standard Connection Diagram	5
Full Application Setup Diagram.....	6
API Command List	7
Troubleshooting	8
Specifications	9

Introduction

OVERVIEW

This product is an add-on microphone for Video Bar to extend pickup distance. It is ideal for applications at huddle/small/ medium rooms.

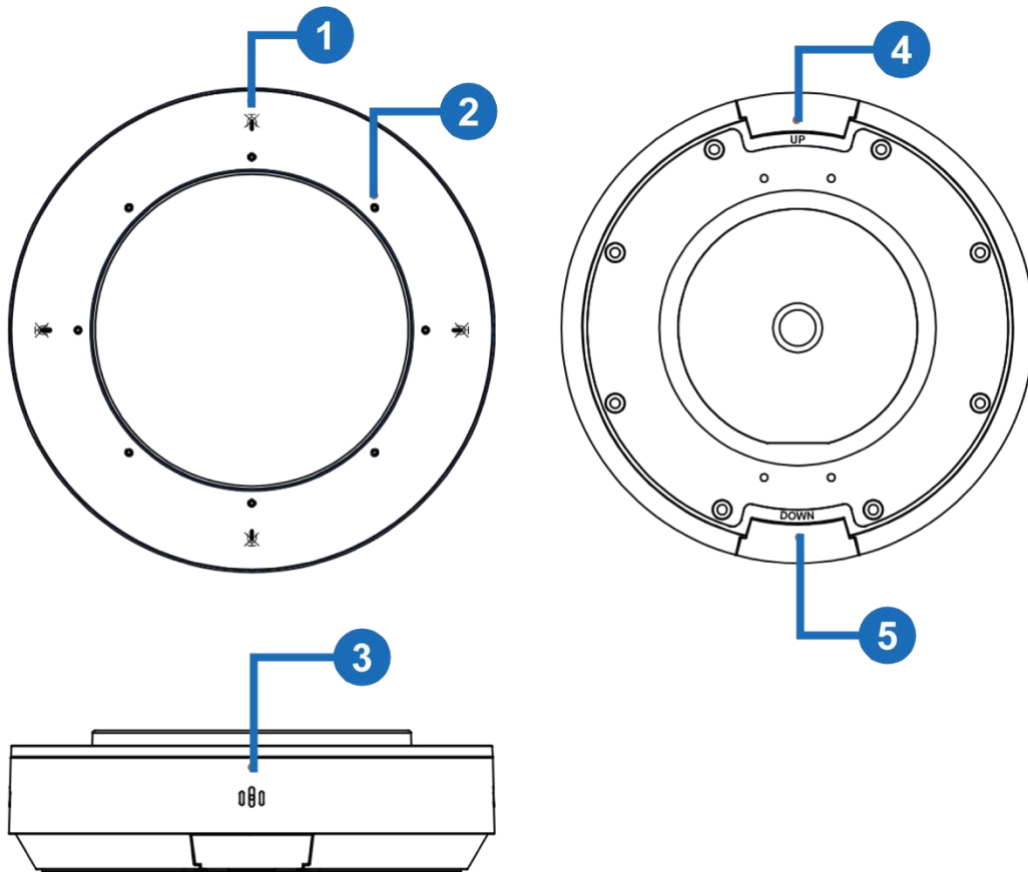
FEATURES




- 4 x MEMS omnidirectional microphone arrays with a range of 3 ~ 5 meters.
- Supports AEC (Acoustic Echo Cancellation), AGC (Automatic Gain Control), ANS (Automatic Noise Suppression) and full duplex communication, making all participants feel like they are talking face-to-face.
- Cascade up to three times for extending pickup range.
- Mic mute button with LED feedback.
- Able to work with VB10-000 for audio signal extension over Ethernet.

PACKAGE CONTENTS

- 1 x Microphone
- 1 x 7m USB-Mini Cable

Panel Description



ID	Name	Description
1		4 x Mute/Unmute buttons. Press any of these buttons to mute or unmute all microphones, including the one at the Video Bar and all other MIC10-000 units.
2	Status LED	<ul style="list-style-type: none"> 4 x LEDs that next to the  buttons lighting white: The microphone is working properly. 4 x LEDs that next to the  buttons blinking white: The microphone is being upgraded. 3 x LEDs in the sound source direction lighting blue: The microphone is picking up sound. (Once the microphone completes pickup, the lighting LEDs will be off.) All LEDs lighting red: The microphone is muted.
3	Microphone	4 x omnidirectional microphone arrays for picking up sound.
4	UP	Connect to the video bar or the upper level microphone. This port supports power input.
5	DOWN	Connect to the other extensible microphone. This port supports power output

Installation

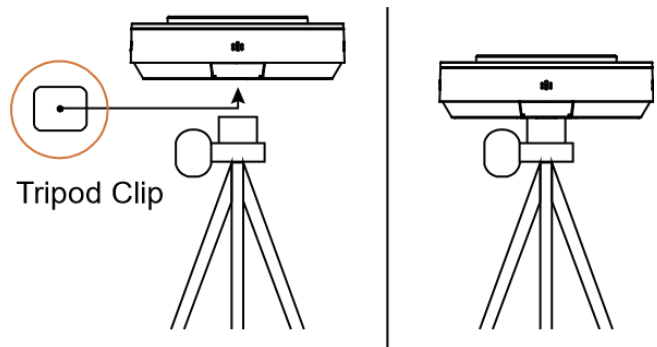
INSTALLATION

Note: Before installation, please ensure the device is disconnected from the power source.

The device can be placed on the desk or be installed on a tripod.

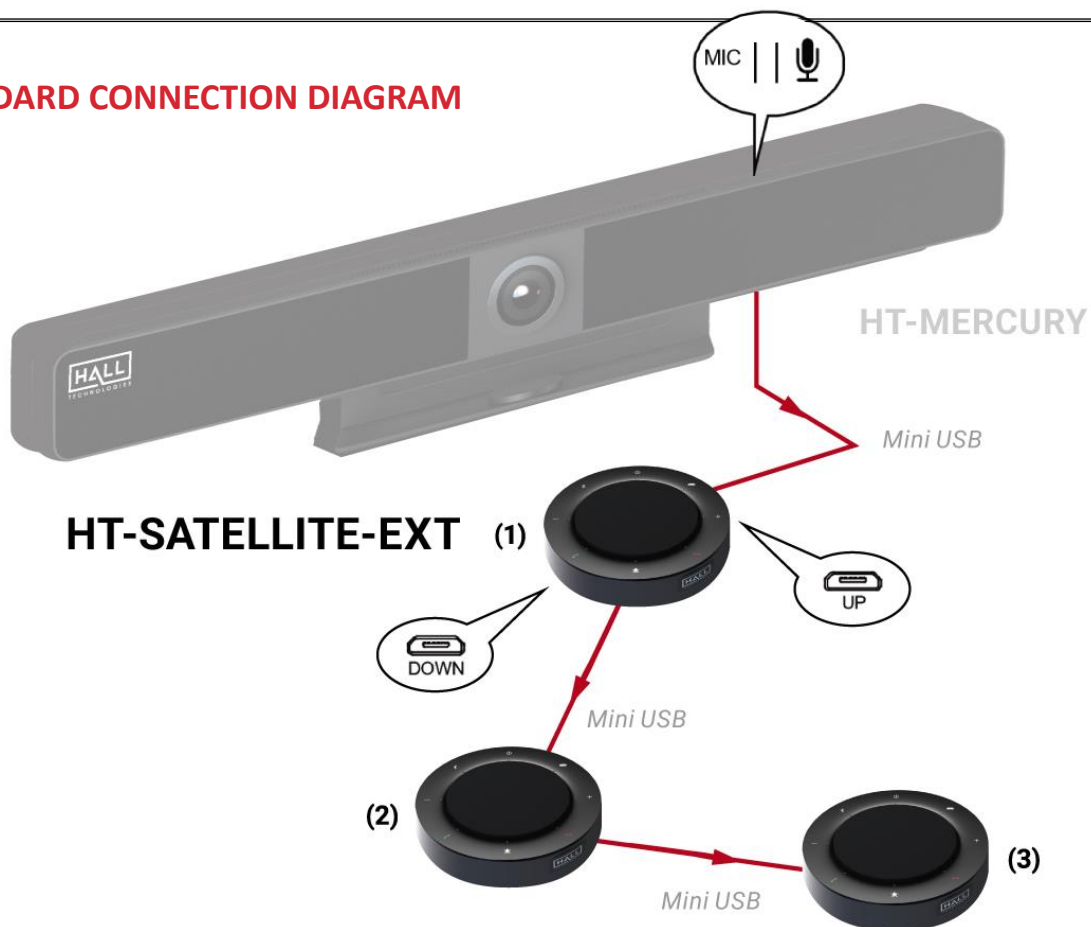
To install the device on the wall:

1. Screw the tripod's clip into the 1/4 (British standard) thread hole at the device's bottom.
2. Secure the device along with the clip on the tripod, adjust them to a position and height you desire.



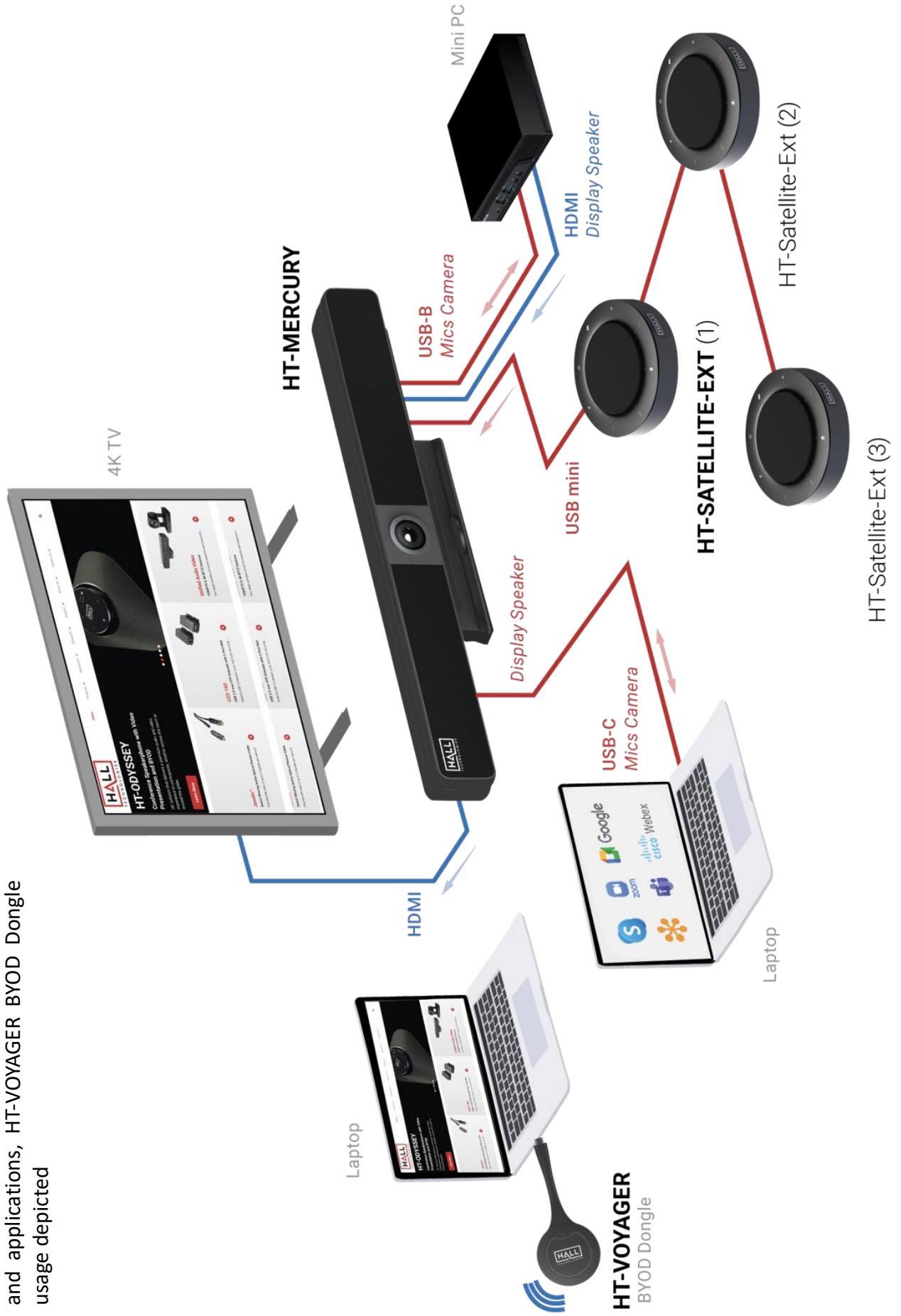
Application

STANDARD CONNECTION DIAGRAM



FULL APPLICATION SETUP DIAGRAM

Showing HT-MERCURY Video Bar connections and applications, HT-VOYAGER BYOD Dongle usage depicted



API Commands

Additional commands not found in the Web GUI such as AEC enable/disable, AGC enable/disable, ANC enable/disable, and others can be found in the HT-MERCURY API Commands document.

Troubleshooting

Used in connection with HT-MERCURY Video Bar

Problem Type	Problem	Options
USB	USB-C not connecting	Verify connected cable supports USB-C
		The response time to output video of USB 3.0 and Type-C is typically 6-8 seconds, although the response time between PC's can differ
		Confirm the PC can transmit video over USB-C by installing the DisplayLink device driver: https://www.displaylink.com/downloads
	PC charge reminder pop-up	This pop-up is normal since the HT-MERCURY charging power might be different than what the laptop requires To ensure the laptop doesn't lose power, connect a dedicated power supply
Audio	No audio at far end on soft codec call (i.e. Meet, Teams, Zoom, etc.)	Verify the HT-MERCURY microphone is not muted (red LED means muted)
		Verify the microphone selected in the soft codec is the HT-MERCURY
		Verify the soft codec microphone is not muted
	No audio heard on HT-MERCURY	Verify the HT-MERCURY is selected as the desired speaker output in the laptop by clicking on the speaker icon to open the audio output
		Verify the HT-MERCURY is not muted
		Verify the levels are turned up on both the laptop and the HT-MERCURY

Specifications

Audio and Video

Input / Output	Mini USB
----------------	----------

Microphone

Microphone	4 x Omnidirectional microphone arrays; Pick-up Range: 3~5m
------------	--

Communication and Control

USB	Mini USB
-----	----------

General

Operating Temperature	0°C ~ 40°C (32°F to 104°F)
Storage Temperature	-20°C ~ 60°C (-4°F to 140°F)
Humidity	10% to 90%, non-condensing
Power Supply	Powered by Video Bar
Power Consumption	1.5W (Max)
Dimension (φ x h)	123mm x 36mm/4.84" x 1.42"
Net Weight	0.29kg/0.638lb



© Copyright 2022. Hall Technologies
All rights reserved.

1234 Lakeshore Drive, Suite #150, Coppell, TX 75019
halltechav.com / support@halltechav.com
(714)641-6607