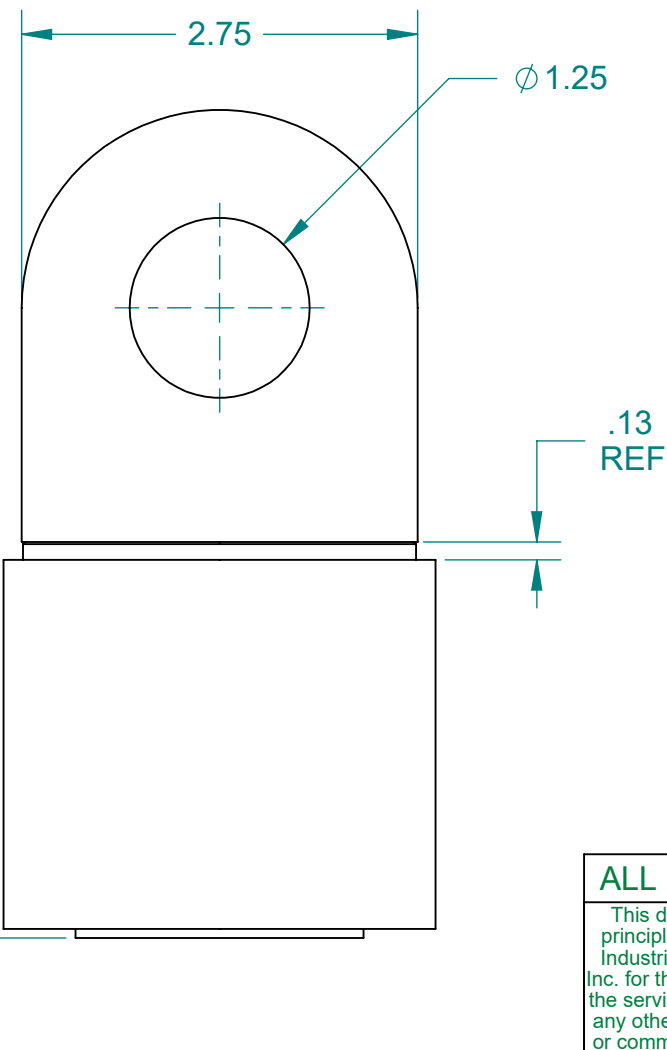
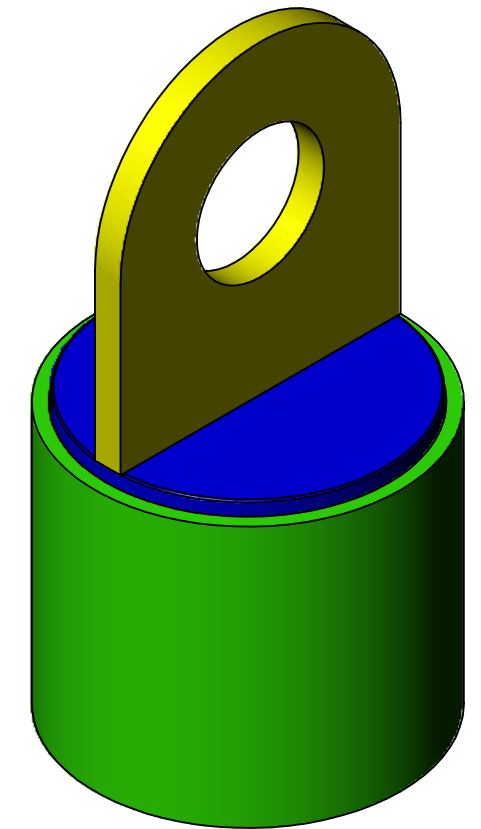


MAGNETIC SURFACE




.13 REF

.06



APPROXIMATE WEIGHT: 5 LBS

B SIZE - SHEET 1 OF 1

ALL DIMENSIONS ARE IN INCHES EXCEPT AS NOTED.			B SIZE - SHEET 1 OF 1	
This drawing and all of the elements thereof, including the design and principles of construction disclosed, is the sole and exclusive property of Industrial Magnetics, Inc. and is being submitted by Industrial Magnetics, Inc. for the limited purpose of assisting the designated recipient to evaluate the services of Industrial Magnetics, Inc. This drawing may not be used for any other purpose, nor may it be copied, reproduced, loaned, transferred, or communicated to any other person, either verbally or in writing, without the written consent of Industrial Magnetics, Inc.			 INDUSTRIAL MAGNETICS, INC 01385 M-75 SOUTH BOYNE CITY, MICHIGAN 49712-9689 (231) 582-3100	
TOLERANCES EXCEPT AS NOTED	RELEASED DATE	R & D	DESCRIPTION	
DECIMAL .00"=±.030"	8/20/2018		HEAVY DUTY NEO RETRIEVER 3" DIA	
ANGULAR ±1°	DRAWN BY	SCALE		
.000"=±.015"	D.JOHNSON	FULL		
	RELEASED BY	DATE	PART NO.	DRAWING NO.
	E.PASCOE	5-12-09	HDR3045	22897