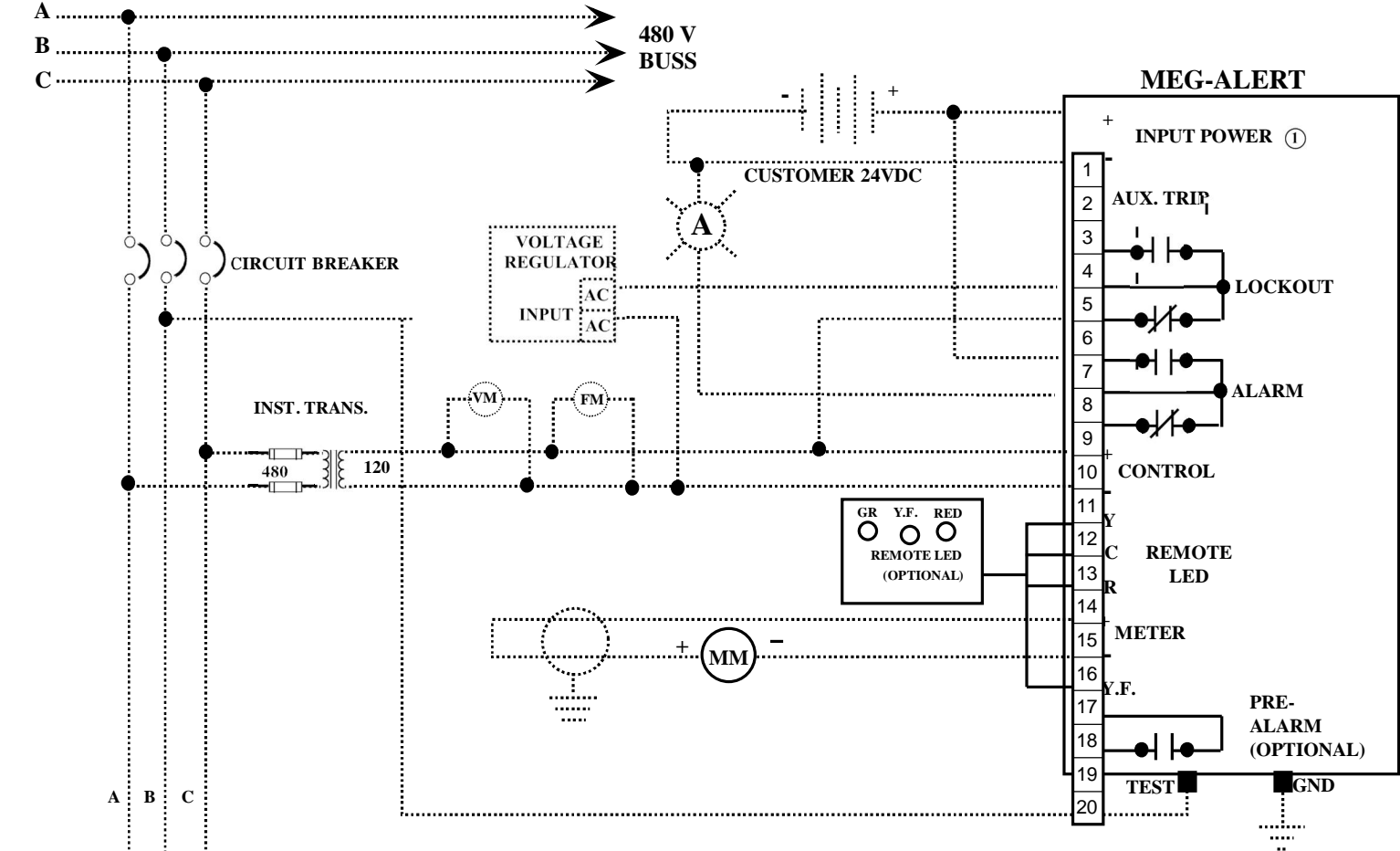


GP500-G 24 VDC



**Generator
3 Wire
480 V 3 Phase**

① NOTE:
If DC input is used, observe correct polarity.

WIRING DIAGRAM
TYPICAL LOW VOLTAGE GENERATOR SET
SCALE: None Date: 4/6/2015
MEG-ALERT MODEL: GP500-G 24VDC

LEGEND

	ALARM		FREQUENCY METER
	MEG-OHM METER		VOLT METER
	SHIELDED WIRES		
..... CUSTOMER PROVIDED EQUIPMENT			