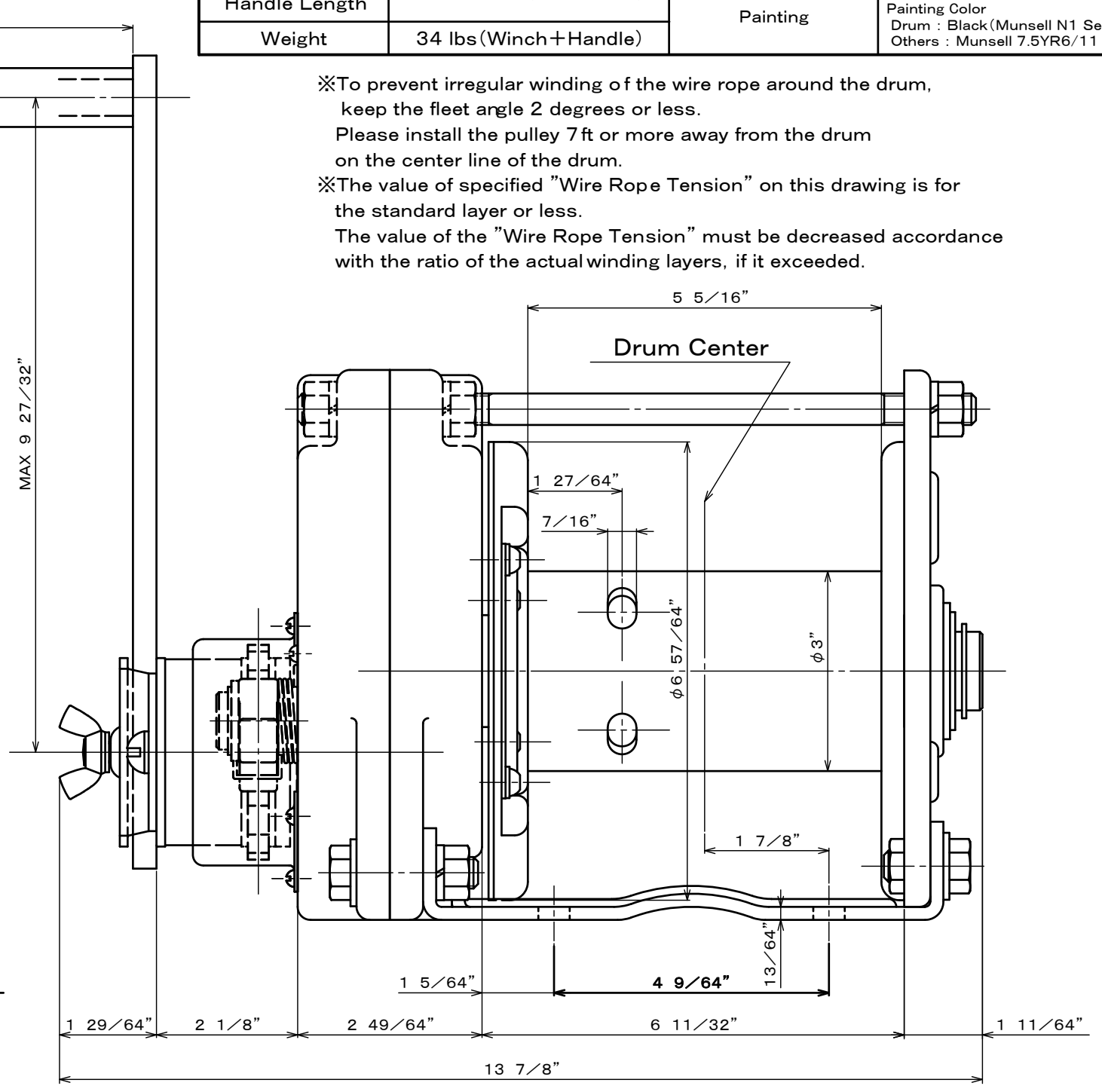
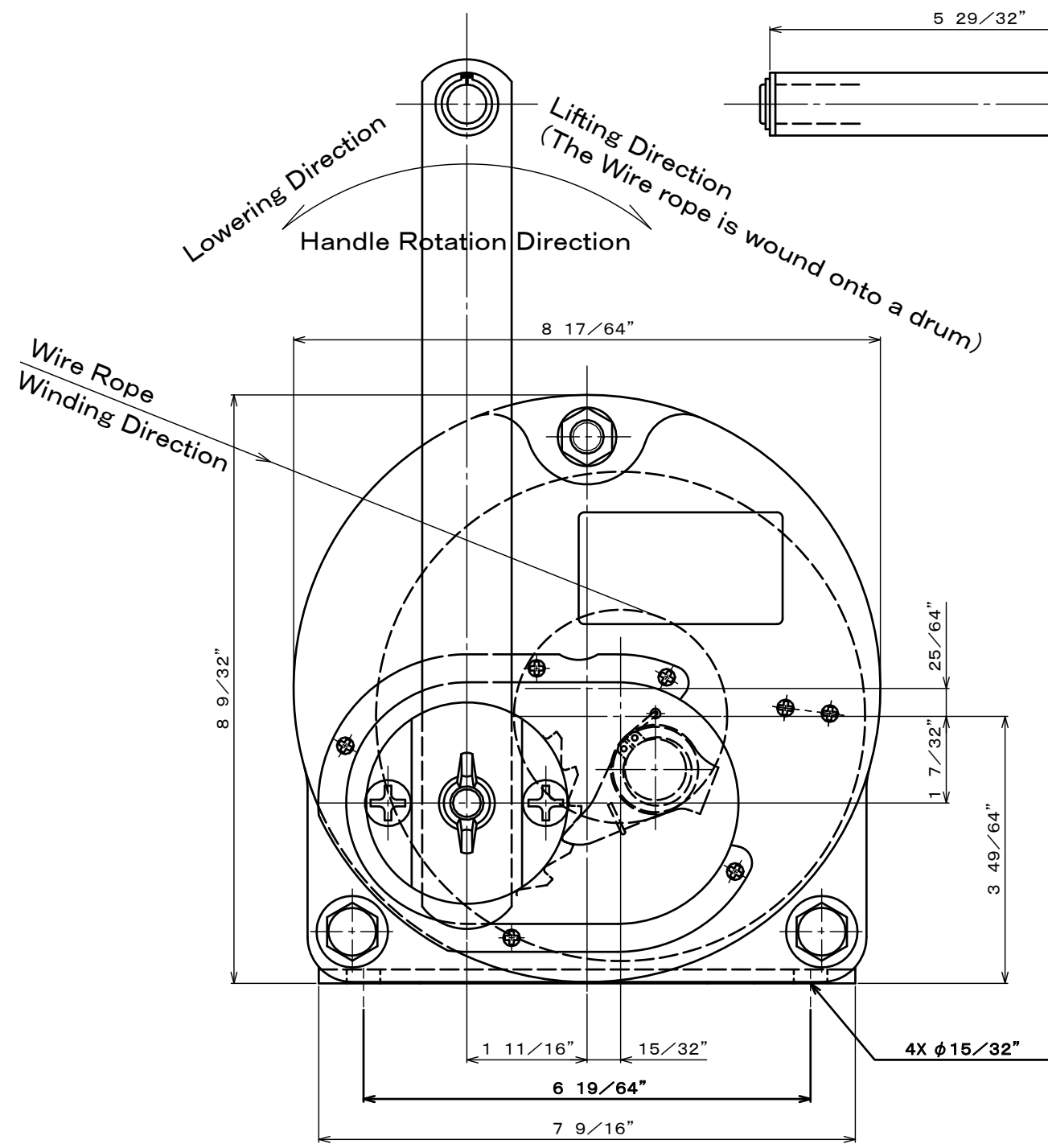


Specifications		(The wire rope composition is a manufacturer recommendation.)		
Load Rating	1,100 lbs (=500 kgf)	Handle Force	Handle Length	Number of Wire Rope Winding Layer
Wire Rope Tension	5th Layer(Standard Layer)		9 27/32"	
Drum Capacity	Wire Rope 6-Layer Windings φ 1/4" (6 × 36) × 131 ft		Wire Rope Tension	3rd Layer 31.7lbs(=14.4kgf)
Gear Ratio	1/8.9	Standard Accesories		5th Layer 39.0lbs(=17.7kgf)
Effective Handle Length	9 27/32" (Maximum)	Painting		One Handle
Weight	34 lbs (Winch + Handle)			One Hex Wrench for Anchoring the Wire Rope
				Melamine Resin Coating At Two Layers
				Painting Color
				Drum : Black (Munsell N1 Semi Gloss)
				Others : Munsell 7.5YR6/11

※To prevent irregular winding of the wire rope around the drum, keep the fleet angle 2 degrees or less.
Please install the pulley 7 ft or more away from the drum on the center line of the drum.

※The value of specified "Wire Rope Tension" on this drawing is for the standard layer or less.
The value of the "Wire Rope Tension" must be decreased accordance with the ratio of the actual winding layers, if it exceeded.



4 ×		図面番号/DRAWING No.	改訂番号/REVISION No.	お客様/CUSTOMER	符号	項目	材料	数量	単体重量	合計重量	備考
3 ×		GM5SI-180402-01U	00		MARK	PARTICULARS	MATERIAL	QTY	PER ONE	TOTAL	REMARKS
2 ×		承認/APPROVED	検閲/CHECKED	作成/DRAWN	図面名/TITLE	投影法/PROJECTION METHOD					
1 ×		設計部 '18.04.04 米澤	設計部 '18.04.04 松嶺	設計部 '18.04.04 武松	MAXPULL WINCH STOPPER ARMLESS ROTATING MODEL GM-5-SI	第三角法 THIRD ANGLE PROJECTION					
改訂/REVISION						尺度/SCALE					
						台数/QTY					

