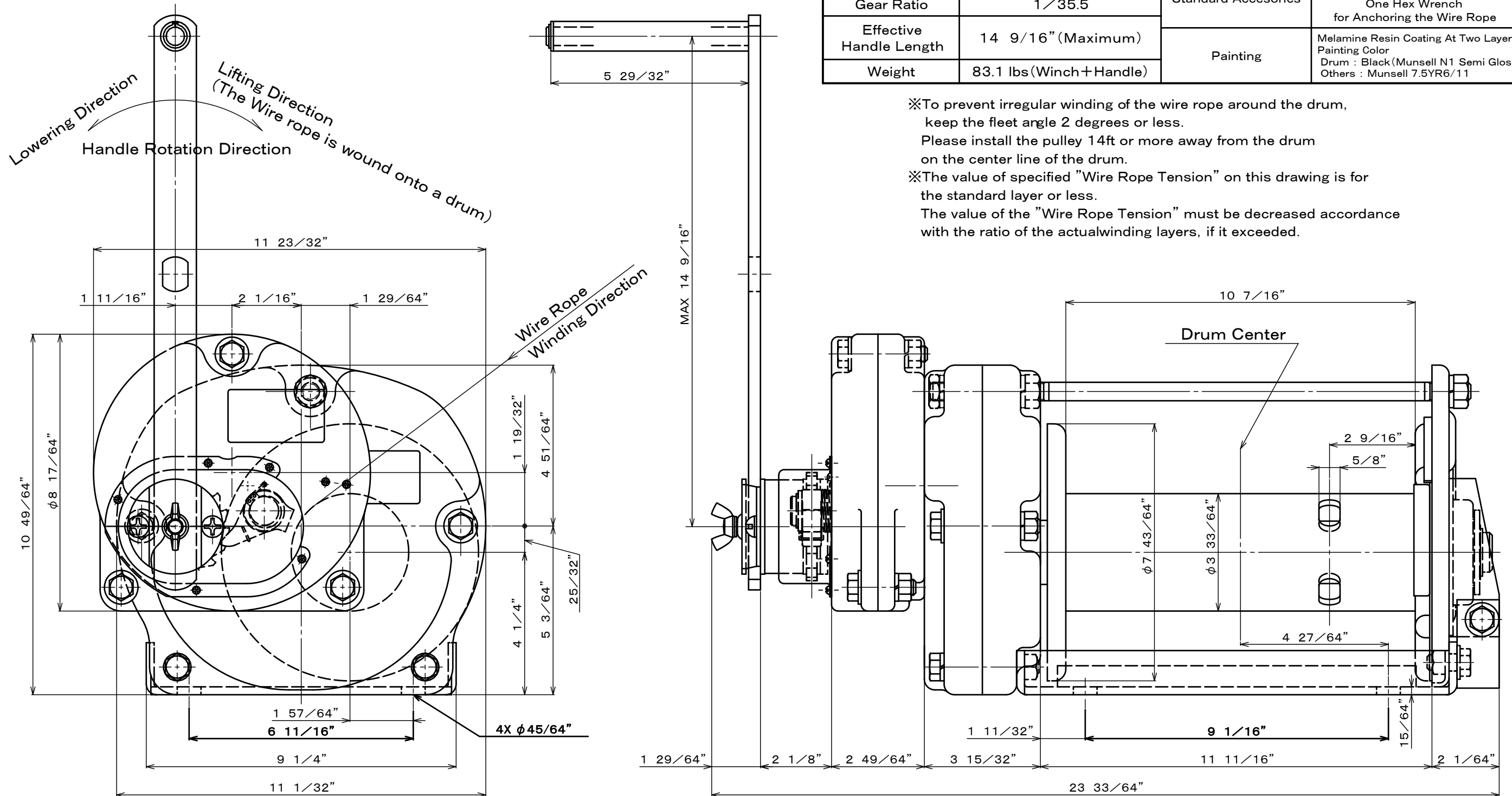


Specifications

(The wire rope composition is a manufacturer recommendation.)

Load Rating Wire Rope Tension	6,600 lbs (=3,000 kgf) 3rd Layer(Standard Layer)	Handle Force	Handle Length 14 9/16"	Number of Wire Rope Winding Layer	
Drum Capacity	Wire Rope 4-Layer Windings φ7/16" (6×36) × 114 ft		Wire Rope Tension 6,600lbs	1st Layer 30.6lbs (=13.9kgf)	2nd Layer 37.9lbs (=17.2kgf)
Gear Ratio	1/35.5	Standard Accesories		One Handle	
Effective Handle Length	14 9/16" (Maximum)	Painting		One Hex Wrench for Anchoring the Wire Rope	
Weight	83.1 lbs (Winch+Handle)			Melamine Resin Coating At Two Layers Painting Color Drum : Black (Munsell N1 Semi Gloss) Others : Munsell 7.5YR6/11	

※To prevent irregular winding of the wire rope around the drum,
keep the fleet angle 2 degrees or less.
Please install the pulley 14ft or more away from the drum
on the center line of the drum.
※The value of specified "Wire Rope Tension" on this drawing is for
the standard layer or less.
The value of the "Wire Rope Tension" must be decreased accordance
with the ratio of the actualwinding layers, if it exceeded.



4 ×	..	図面番号/DRAWING No.	改訂番号 REVISION No.	お客様/CUSTOMER	符号 MARK	項目 PARTICULARS	材料 MATERIAL	数量 QTY	単体 PER ONE	合計 TOTAL	備考 REMARKS
3 ×	..	GM30SI-180402-01U	00								
2 ×	..	承認/APPROVED	検図/CHECKED	作成/DRAWN	図面名/TITLE		投影法/PROJECTION METHOD		MAXPULL MACHINERY & ENGINEERING CO., LTD. マックスプル工業株式会社		
1 ×	..	設計部 '18.04.04 米澤	設計部 '18.04.04 松嶺	設計部 '18.04.04 武松	MAXPULL WINCH STOPPER ARMLESS ROTATING MODEL GM-30-SI		 第三角法 THIRD ANGLE PROJECTION 尺度/SCALE : 台数/QTY :				
改訂/REVISION	..										