

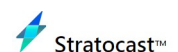


FE9192-H

Fisheye Network Camera

12MP • 360° Fisheye • WDR Pro • Smart Stream III • Smart VCA • Recessed Mount

- 12-Megapixel CMOS Sensor
- 30 fps @ 2944x2944
- WDR Pro (120dB) for Improved Visibility in High Contrast Scenes
- Smart Motion Detection to Reduce False Alarms
- Smart VCA (Intrusion Detection, Crowd Detection, Loitering Detection)
- Trend Micro IoT Security
- Local Dewarp





Technical Specifications

System Information

| | |
|-------|---------------------------------|
| Model | FE9192-H |
| CPU | Multimedia SoC (System-on-Chip) |
| Flash | 8 GB |
| RAM | 2 GB |

Camera Features

| | |
|-------------------------------|--|
| Image Sensor | 1/2.3" Progressive CMOS in 4056x3040 |
| Max. Resolution | 2944x2944 |
| Lens Type | Fixed-focal |
| Focal Length | f = 1.22 mm |
| Aperture | F2.0 |
| Iris Type | Fixed iris |
| Field of View | 180° (Horizontal) 180° (Vertical) 180° (Diagonal) |
| Shutter Time | 1/5 sec. to 1/32,000 sec. |
| WDR Technology | WDR Pro |
| Day/Night | Yes |
| Removable IR-cut Filter | Yes |
| Minimum Illumination | 0.1 lux @ F2.0 (Color) <0.005 lux @ F2.0 (B/W) |
| Pan/Tilt/Zoom Functionalities | ePTZ: 12x digital zoom (12x on IE plug-in) |
| Storage | Seamless Recording to MicroSD/SDHC/SDXC card and recording to network-attached storage (NAS) |
| Built-in Installation Aids | Pixel calculator |

Video

| | |
|--------------------|--|
| Video Compression | H.265, H.264, MJPEG |
| Maximum Frame Rate | 30 fps @ 2944x2944 (WDR off) 20 fps @ 2944x2944 (WDR on) |
| Maximum Streams | 3 video streams (Up to 8 configurable profiles) |
| S/N Ratio | 56.9 dB |
| Dynamic Range | 120 dB |
| Video Streaming | Adjustable resolution, quality and constant bit rate control, Smart Stream III |
| Image Settings | General settings: video title and time stamp overlay, video orientation (flip, mirror), day/night settings; anti-overexposure; Image settings: white balance, image adjustment (brightness, contrast, saturation, sharpness, gamma curve), defog, 3DNR; Exposure: BLC, exposure control, AE speed adjustment, WDR; Privacy mask; Scheduled profile settings; Pixel calculator |
| Display Mode | Client Dewarping Ceiling mounted: 1O Fisheye, 1P Panoramic, 2P Two Panoramics, 1R One Region, 4R Four Regions, 1O3R One Fisheye Three Regions, 1O8R One Fisheye Eight Regions Wall mounted: 1O Fisheye, 1P Panoramic, 1R One Region, 4R Four Regions, 1P2R One Panoramic Two Regions, 1P3R One Panoramic Three Regions, 1O3R, One Fisheye Three Regions Local Dewarping Ceiling mounted: 1O Fisheye, 1P Panoramic, 2P Two Panoramics, 1R One Region, 4R Four Regions Wall mounted: 1O Fisheye, 1P Panoramic, 1R One Region, 4R Four Regions |

Audio

| | |
|-------------------|---------------------|
| Audio Capability | One-way audio |
| Audio Compression | G.711, G.726 |
| Audio Interface | Built-in microphone |
| Effective Range | 5 meters |

Network



| | |
|-----------|--|
| Users | Live viewing for up to 10 clients |
| Security | Access list, digest authentication, HTTPS , IEEE 802.1x, password protection, secure boot, signed firmware, Trend Micro IoT Security (brute force attack event, cyberattack event, quarantine event), user access log, user account management |
| Protocols | 802.1X, ARP, Bonjour, CIFS/SMB, DDNS, DHCP, DNS, FTP, HTTP, HTTPS, ICMP, IGMPv3, IPv4, IPv6, NTP, PPPoE, QoS (CoS/DSCP), RTSP/RTP/RTCP, SMTP, SNMP, SSL, TCP/IP, TLS 1.2, UDP, UPnP |
| Interface | 10 Base-T/100 Base-TX Ethernet (RJ-45) *It is highly recommended to use standard CAT5e & CAT6 cables which are compliant with the 3P/ETL standard. |
| ONVIF | Profile G, S, T supported, specification available at www.onvif.org |

AI Analytics

| | |
|-------------------------|--|
| Compute Capability | Built-in CNN acceleration module |
| Vision Object Analytics | Object Detection: people, vehicle (4-wheeled, 2-wheeled); Attribute Extraction: people (gender, color, bag, hat), vehicle (bike, bus, car, motorcycle, truck, color); Re-Search Extraction; Path Extraction |
| Event Application | Smart Motion Detection (Five-window video motion detection, people detection, vehicle detection, time filter), Smart VCA (Intrusion detection, loitering detection, line crossing detection, unattended object detection, missing object detection, crowd detection, running detection, parking violation detection*, restricted zone detection*) *License required. Please access https://license.vivotek.com/ for free trial license. |
| Applications | Deep Learning VCA (Smart Motion Detection, Smart VCA) |

Solution Integration

| | |
|--------------|--|
| VADP Package | Stratocast, Trend Micro IoT Security (3-year free trial) |
|--------------|--|

Alarm and Event

| | |
|---------------|--|
| Event Trigger | Audio detection, camera tampering detection, cybersecurity events (brute force attack event, cyberattack event, quarantine event), manual trigger, motion detection, periodical trigger, recording notification, SD card life expectancy, shock detection, system boot |
| Event Action | Event notification via audio clip, email, HTTP, FTP, NAS server, SD card File upload via email, HTTP, FTP, NAS server, SD card |

General

| | |
|-----------------------|--|
| Connectors | RJ-45 cable connector for 10/100 Mbps Network/PoE connection |
| LED Indicator | System power and status indicator |
| Power Input | IEEE 802.3af PoE Class 0 |
| Power Consumption | Max. 9 W |
| Dimensions | ø 82 x 122 mm |
| Weight | 353 g |
| Certifications | EMC: CE (EN 55032 Class B, EN 55035, EN 50121-4), FCC (FCC Part 15 Subpart B Class B), RCM (AS/NZS CISPR 32 Class B), VCCI (VCCI-CISPR 32 Class B); Safety : UL (UL 62368-1), CB (IEC/EN 62368-1, IEC/EN 60950-22, IEC/EN 62471); Environment: IP54 (IEC 60529); IA: BIS (IS 13252), BSMI (EMC: CNS 13438, Safety : CNS 14336-1) |
| Operating Temperature | Starting Temperature: 0°C ~ 50°C (32°F ~122°F) Working Temperature: -10°C ~ 50°C (14°F ~122°F) |
| Humidity | 90% RH (non-condensing) |
| Warranty | 36 months |

System Requirements

| | |
|------------------|---|
| Operating System | Microsoft Windows 10/8/7 Mac 10.12 (Chrome only) |
| Web Browser | Chrome 58.0 or above Internet Explorer 10/11 |
| Other Players | VLC: 1.1.11 or above |

Included Accessories

| | |
|------------------|--------------------------|
| Packing Contents | Quick installation guide |
|------------------|--------------------------|

DORI (EN 62676-4 Standard)

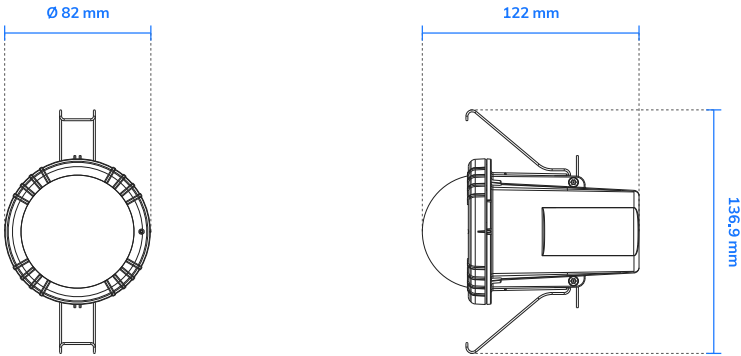
| | |
|--------------------------|-----------------|
| Detect (25PPM 8PPF) | 31.4 m (103 ft) |
| Observe (63PPM 19PPF) | 12.5 m (41 ft) |
| Recognize (125PPM 38PPF) | 6.3 m (20.7 ft) |



Identify (250PPM 76PPF)

3.1 m (10.2 ft)

Dimensions



Compatible Accessories

Mounting Kit



AM-52F
Pendant Mounting Kit



All specifications are subject to change without notice. Copyright©VIVOTEK INC. All rights reserved. Ver. 5

6F, No.192, Lien-Cheng Rd., Chung-Ho, New Taipei City, 235, Taiwan, R.O.C. | T: +886-2-82455282 | F: +886-2-82455532 | E: sales@vivotek.com | W: www.vivotek.com