

3G-SDI Fiber Optic Extender Kit

FE1121



The FE1121 3G-SDI Fiber Optic Extender is a transmitter/receiver kit supporting single-mode LC simplex fiber extensions up to 20km. It is a miniature-style extension solution that supports all SDI formats resolution up to 1080p with audio and metadata, also supports level A and level B. It features a local SDI loop out and dual SDI outputs and supports 3G/HD/SD SDI signals.

Connections

Transmitter SDI Video Input

1×SD/HD/3G-SDI(75Ω BNC)

Receiver Fiber Optical Input

SFP module with LC connector

Power LED Indicator

Power and signal status

Transmitter SDI Loop Output

1×SD/HD/3G-SDI(75Ω BNC)

Receiver SDI Video Output

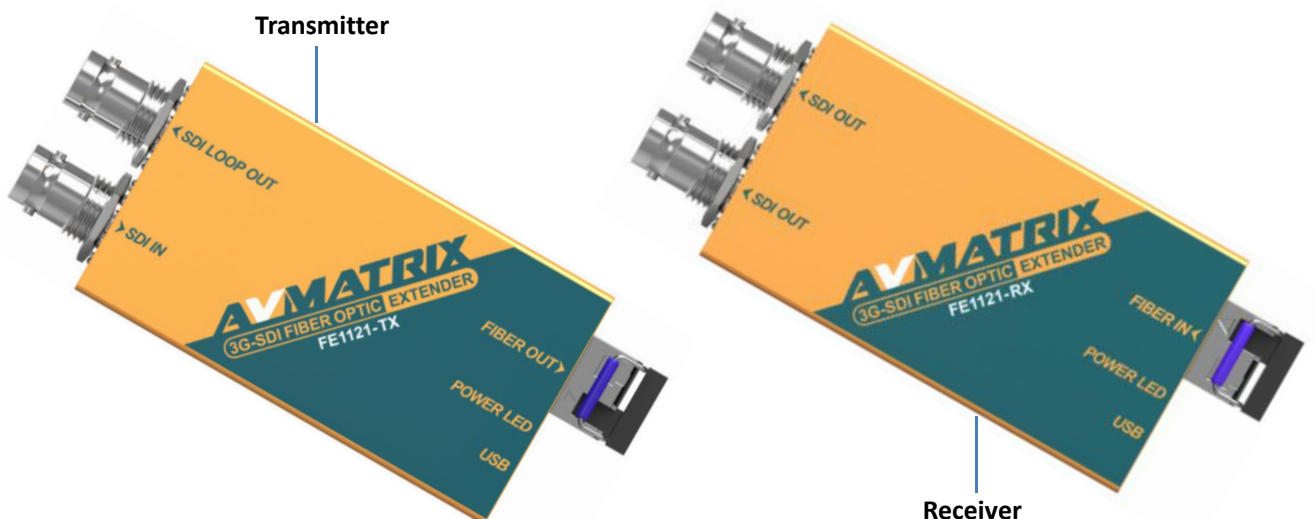
2×SD/HD/3G-SDI(75Ω BNC)

Transmitter Fiber Optical Output

SFP module with LC connector

Micro USB

Power and software update



Standards

Optical Fiber Module

SFP module: Hot-pluggable

Connector style: LC

Fiber type: Single-mode

Optical wavelength: 1310nm

Max. bandwidth: 3Gbps

Optical transmit power: -2.3dBm

Receiver sensitivity: -16dBm

Optical Fiber Compliance

SMPTE 297M 2006

SDI Compliance

Level A & level B

SMPTE 259M, SMPTE 292M,

SMPTE 424M, SMPTE 296M,

SMPTE 274M, SMPTE 425M,

ITU-R BT.656, ITU-R BT.601

SDI Video Rate

SD/HD/3G-SDI

SDI Color Space

YUV, RGB

SDI Equalization and Re-clocking

Yes, SDI Input and output maximize performance up to 120m for 3G-SDI

Single-mode Max. Distance

20 km (12.5 miles) for 3G (1080P)

SDI Auto Switching

Automatically detects SD, HD and 3G-SDI

SDI Audio

Supports 16-channel embedded

Power

Power

Micro USB

Power Consumption

Transmitter: 1.5W, Receiver: 1.5W

Voltage Range

DC 3.3-5V

Physical Specifications

Dimension

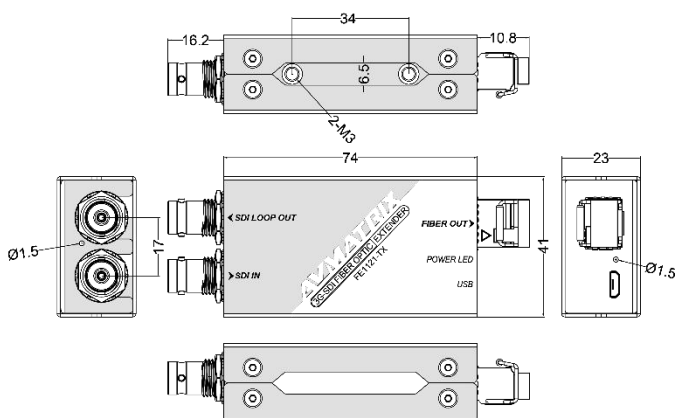
71×41×23mm

Net Weight

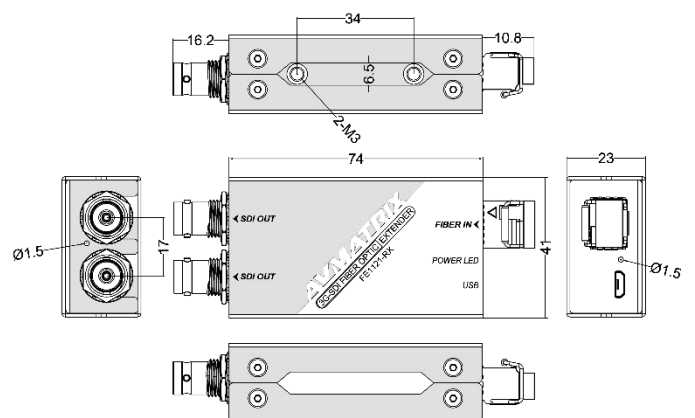
200g+200g

Gross Weight

800g



FE1121-TX(Transmitter)



FE1121-RX(Receiver)

Environmental Specifications

Operating Temperature
0°C~60°C

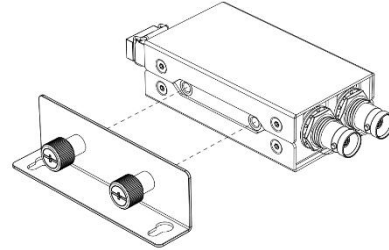
Storage Temperature
-10°C~70°C

Relative Humidity
0%~90% non-condensing

What's Included

FE1121-TX (3G-SDI Fiber Optic Extender Transmitter)
FE1121-RX (3G-SDI Fiber Optic Extender Receiver)
2pcs 5V Special Power Adapters
2pcs USB Cables
2pcs Mounting Brackets
Technical Specifications

Mounting Diagram



Warranty

3 Year Limited Manufacturer's Warranty

✧ Note: due to constant effort to improve products and product features, specifications may change without notice.