

LED COMBO EXIT & EMERGENCY LIGHT

Installation Instructions



**THIS INSTALL MANUAL IS APPLICABLE FOR
MODEL NO : ESC-C-S-01/ESC-C-S-02**

SAFETY INFORMATION

IMPORTANT

THIS PRODUCT MUST BE INSTALLED IN ACCORDANCE WITH THE APPLICABLE NATIONAL ELECTRICAL CODE AND LOCAL BUILDING CODES BY A PERSON FAMILIAR WITH THE CONSTRUCTION AND OPERATION OF THE PRODUCT AND THE HAZARDS INVOLVED.

PRECAUTIONS

- Please read and understand this entire manual before attempting to assemble, install, or operate this light fixture.
- This light fixture requires a 120-277 Volt AC power source.
- Some codes require installation by a qualified electrician.
- This light fixture must be properly grounded.
- Make sure connections are secure using wire nuts, crimp-on lugs or other approved connecting devices
- Equipment should be mounted securely in locations and at heights where it will not be readily subjected to tampering by unauthorized personnel.



WARNING: Turn the power off at the circuit breaker or fuse. Place tape over the circuit breaker switch and verify power is off at the light fixture.



CAUTION: Burn hazard. Allow the light fixture to cool before touching.



NOTICE: FCC Regulations state that any unauthorized changes or modifications to this equipment not expressly approved by the manufacturer could void the user's authorization to operate this equipment.



INFORMATION: The device is tested and found to comply with Part 15 of the FCC Rules. Operation is subject to two conditions: (1) This device may not cause harmful interference and, (2) this device must accept any interference received, including any interference that may cause undesired operation. These limits are designed to provide reasonable protections against harmful interference when the equipment is operated in a commercial environment.

NOTE: This equipment has been tested and found to comply with the limits for a Class B digital device, pursuant to part 15 of the FCC rules. These limits are designed to provide reasonable protection against harmful interference in a residential installation. This equipment generates uses and can radiate radio frequency energy and, if not installed and used in accordance with the instructions may cause harmful interference to radio communications. However, there is no guarantee that interference will not occur in a particular installation. If this equipment does cause harmful interference to radio or television reception, which can be determined by turning the equipment off and on, the user is encouraged to try to correct the interference by one or more of the following measures

- Reorient or relocate the receiving antenna
- Increase the separation between the equipment and receiver.
- Connect the equipment into an outlet on a circuit different from that to which the receiver is connected
- Consult the dealer or an experienced radio/TV technician for help

LED COMBO EXIT & EMERGENCY LIGHT

Installation Instructions



WARNING:

FAILURE TO FOLLOW THESE INSTRUCTIONS AND WARNINGS MAY RESULT IN DEATH, SERIOUS INJURY OR SIGNIFICANT PROPERTY DAMAGE.

For your protection, read and follow these warnings and instructions carefully before installing or maintaining this equipment. These instructions do not attempt to cover all installation and maintenance situations. If you do not understand these instructions or additional information is required, contact Medinah Power or your Local Medinah Power distributor.



WARNING:

RISK OF ELECTRIC SHOCK NEVER CONNECT TO, DISCONNECT FROM, OR SERVICE WHILE EQUIPMENT IS ENERGIZED.

WARNING:

RISK OF FIRE. Lamps are hot. Keep combustible material away from hot parts. Observe lamp manufacturer's warnings, recommendations and restrictions on lamp operation and maintenance. Make sure lamps are correctly installed.

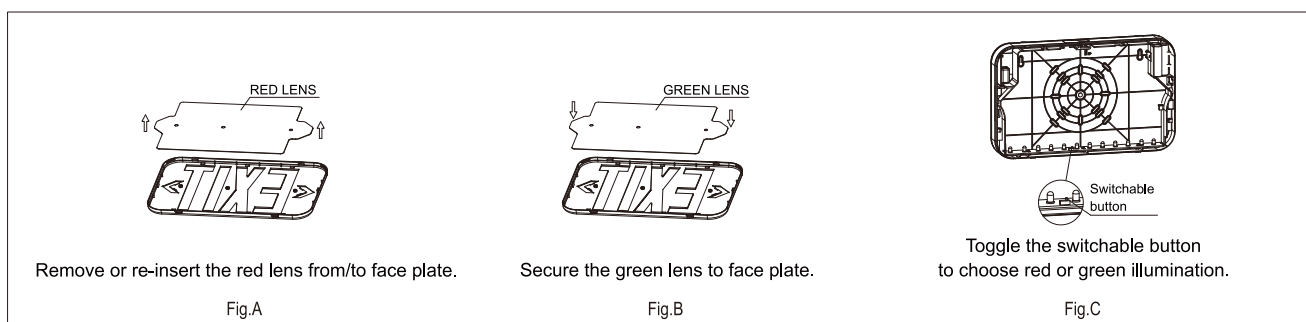
CAUTION: The battery in this unit may not be fully charged. After electricity is connected to the unit, let the battery charge for at least 24 hours, then normal operation of this unit should take effect. To check, press the TEST button. The lamps on the unit should turn on. (Refer to OPERATION BATTERY BACKUP for more testing information)

IMPORTANT SAFEGUARDS:

When using electrical equipment, basic safety precautions should always be followed, including the following:

1. Do not use outdoors. Suitable for use in 0°C-40°C(32°F-104°F) indoor damp locations.
2. Consult local building code for approved wiring and installation.
3. Disconnect AC power before servicing and installation.
4. Do not mount near gas or electric heaters.
5. Do not use this equipment for anything other than its intended use.
6. The use of accessory equipment not recommended by the manufacturer will void product listing and warranty and may cause an unsafe condition.
7. Any service on this equipment should be performed by qualified personnel only.
8. Equipment should be mounted in locations and at heights where it will not be subject to tampering by unauthorized personnel.
9. Use caution when servicing batteries.
10. Cap unused wires with enclosed wire nuts or other approved methods.
11. Make sure wire terminations are secure and leads are properly tucked in appropriate wire channels.

NOTE: Max mounting height is 21.4 ft to achieve at least 1 ft-candle of illuminance in emergency mode.



Contact us : For support & assistance, please feel free to contact us below.

E-Mail: info@medinahpower.com | **Web:** www.medinahpower.com | **Ph:** +1 (844) 870-5337

LED COMBO EXIT & EMERGENCY LIGHT

Installation Instructions

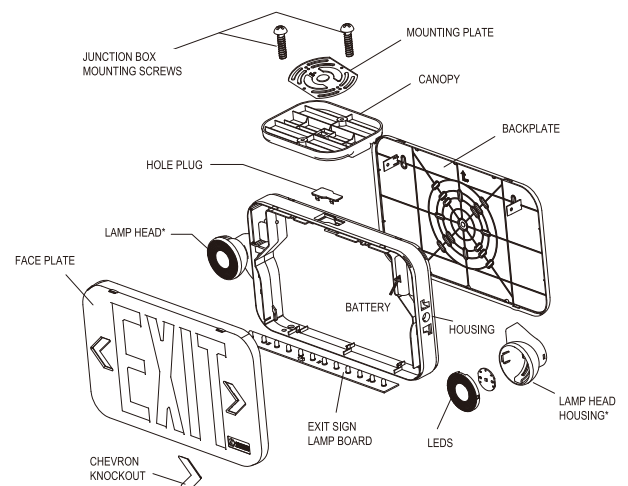
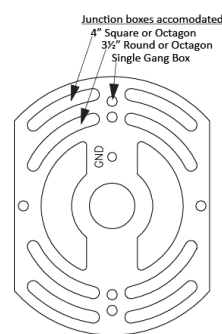
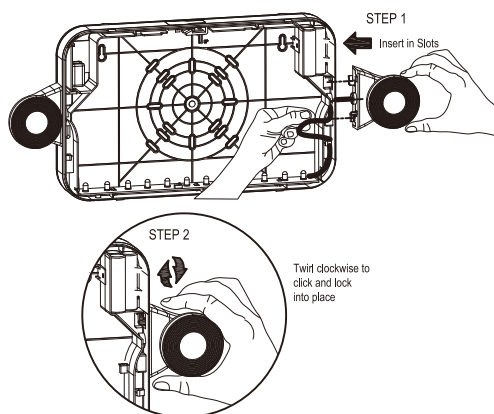


INSTALLATION I:

NOTE: EXIT ships standard RED. Refer to the Toggle Switch section for GREEN LED configuration.

BACK MOUNT

1. De-energize the circuit at an industry standard junction box, (not included), where the exit sign is to be installed.
2. Remove EXIT stencil faceplate from housing. Remove RED lens from faceplate(see fig. A). Set aside.
3. Drill out the appropriate mounting pattern and the wire pass hole in the EXIT back plate to fit the junction box being used.
4. Feed the red, black and white wires through the center.
5. Remove the side mounting hole plug on the right side. Knockout lamp head mounting hole on left side with flathead screwdriver.
6. Feed blue and yellow lamp head wire through side lamp head mounting hole(Step 1). Attach first lamp head to housing by aligning tabs on lamp head assembly to lamp head mounting slots on frame of housing (Step 2). Gently twirl lamp head clockwise to lock into place. An audible click should be heard. Repeat to install remaining lamp head.
7. Feed lamp head wires in appropriate wire channels and connect lamp head leads to the exit sign lamp board.
8. Ensure fixture leads are fed through the back plate and connect to AC power leads coming into the junction box.
9. Connect RED leads to HOT of the power supply from 120-277V. Connecting the WHITE leads to the NEUTRAL of the supply.
10. HO only: make wiring connections to the appropriate remote lamp heads using the YELLOW(+) and the BLUE(-) remote leads on the charger board. Cap off any UNUSED remote leads with wire nuts.
11. Fasten back plate to junction box cover.
12. Toggle the switchable to select GREEN, if applicable(see fig. C).
13. Connect the battery only after continuous AC power can be provided to the unit.
14. Remove knockout chevron(s) on the faceplate, as needed. Re-insert RED lens to faceplate (see fig. A) (or GREEN if applicable, see fig. B). Secure EXIT stencil faceplate back onto housing.



TOP OR END MOUNT

1. De-energize the circuit at an industry standard junction box, (not included), where the exit sign is to be installed.
2. Remove EXIT stencil faceplate(see fig. A) from housing. Remove the RED lens from the faceplate. Set aside.
3. Remove the canopy kit, hardware pack and mounting plate from inside the EXIT and set aside.
4. Remove the mounting hole plug on the top or either side of the frame.

Contact us : For support & assistance, please feel free to contact us below.

E-Mail: info@medinahpower.com | **Web:** www.medinahpower.com | **Ph:** +1 (844) 870-5337

LED COMBO EXIT & EMERGENCY LIGHT

Installation Instructions



INSTALLATION I:

5. Place the canopy nose through the mounting hole until the side of the frame touches the canopy. Lock the frame onto the canopy by sliding the frame in a direction parallel to the canopy length toward the narrow end of the mounting hole. Slide the frame until both snaps engage the canopy nose preventing any motion back out of the hole.
6. Feed the red, black and white wires through the center of the mounting canopy hole.
7. Remove the side mounting hole on the right side. Knockout lamp head mounting hole on left side with flathead screwdriver.
8. Feed blue and yellow lamp head wire through side lamp head mounting hole (Step 1). Attach first lamp head to housing by aligning tabs on lamp head assembly to lamp head mounting slots on frame of housing(Step 2). Gently twirl lamp head clockwise to lock into place. An audible click should be heard. Repeat to install remaining lamp head.
9. Feed lamp head wires in appropriate wire channels and connect lamp head leads to the exit sign lamp board. box.
10. Ensure fixture leads are fed through mounting canopy and connect to AC power leads coming into junction
11. Connect RED leads to HOT of the power supply from 120-277V. Connect the WHITE lead to the NEUTRAL of the supply.
12. When applicable, make wiring connections to the appropriate remote lamp heads using the YELLOW(+) and the BLUE(-) remote leads on the charger board. Cap off any UNUSED remote leads with wire nuts.
13. Secure the EXIT canopy to the steel mounting plate using the screws provided and fasten to the junction box.
14. Toggle the switchable to select GREEN, if applicable(see fig. C).
15. Connect the battery only after continuous AC power can be provided to the unit.
16. Remove knockout chevron(s) on the faceplate, as needed. Re-insert RED lens to faceplate (see fig. A) (or GREEN if applicable, see fig. B). Secure EXIT stencil faceplate back onto housing.
17. Secure faceplate(s) to housing.

LED STATUS INDICATOR KEY AND TROUBLESHOOTING

Visual Status	Indication	Troubleshooting/Actions to Take
UNIT	<ol style="list-style-type: none"> 1. Battery connection is not made. 2. Battery, has been diagnosed as dead or defective after 24 hours of continuous charging with AC power supplied. 3. AC power has not been supplied. 	<ol style="list-style-type: none"> 1. Make a connection; or if the battery is connected, disconnect the battery for eight seconds and then reconnect. 2. Replace the battery. 3. Supply AC power.
RED	Battery is connected, AC power has been supplied and the fixture is in charging state.	This is the normal state. No action required.

WIRING DIAGRAMS

NOTE: Unused input lead must be properly insulated with wire nut or other approved method.

