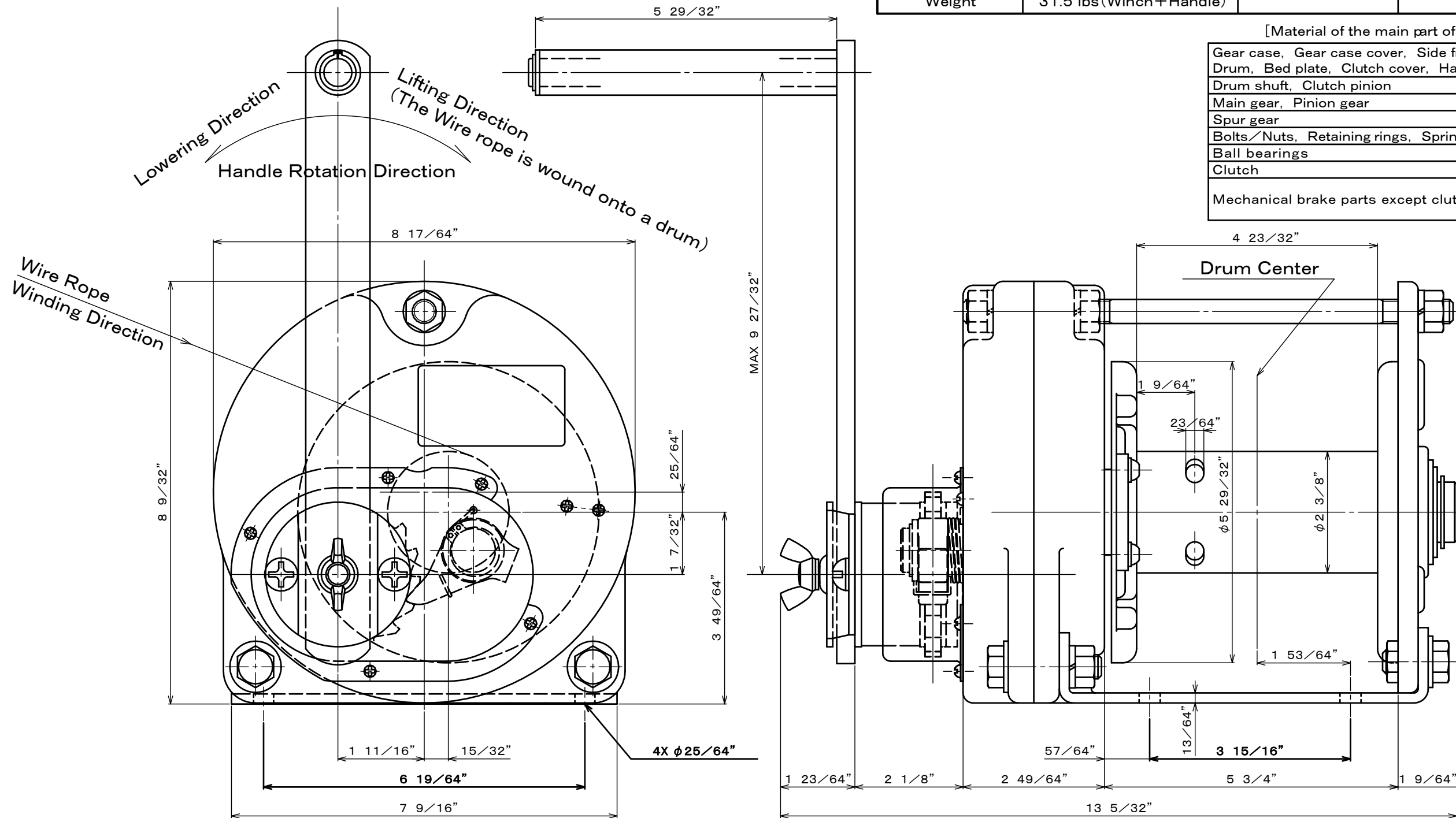


※To prevent irregular winding of the wire rope around the drum, keep the fleet angle 2 degrees or less.
Please install the pulley 6ft or more away from the drum on the center line of the drum.
※The value of specified "Wire Rope Tension" on this drawing is for the standard layer or less.
The value of the "Wire Rope Tension" must be decreased accordance with the ratio of the actual winding layers, if it exceeded.

Specifications				(The wire rope composition is a manufacturer recommendation.)	
Load Rating Wire Rope Tension	660 lbs (=300 kgf) 5th Layer (Standard Layer)	Handle Force	Handle Length 9 27/32"	Number of Wire Rope Winding Layer	
Drum Capacity	Wire Rope 6-Layer Windings φ 1/4" (6 × 36) × 104 ft	Wire Rope Tension 660 lbs		1st Layer	17.0lbs (=7.7kgf)
Gear Ratio	1/6.25	Standard Accesories		3rd Layer	23.1lbs (=10.5kgf)
Effective Handle Length	9 27/32" (Maximum)	Painting		5th Layer	29.3lbs (=13.3kgf)
Weight	31.5 lbs (Winch + Handle)			One Handle One Hex Wrench for Anchoring the Wire Rope	

[Material of the main part of the winch (JIS)]

Gear case, Gear case cover, Side frame, Drum, Bed plate, Clutch cover, Handle arm	SUS304
Drum shaft, Clutch pinion	SUS304
Main gear, Pinion gear	SCM415
Spur gear	S25C
Bolts/Nuts, Retaining rings, Springs, etc.	SUS304
Ball bearings	SUS440C
Clutch	CAC403
Mechanical brake parts except clutch	SUS303 SUS304 SUS420J2



改訂/REVISION	承認/APPROVED	検図/CHECKED	作成/DRAWN	改訂番号/REVISION No.	お客様/CUSTOMER	符号/PROJECTION METHOD	項目/PARTICULARS	材料/MATERIAL	数量/QUANTITY	単体重量/PER ONE WEIGHT	合計重量/TOTAL WEIGHT	備考/REMARKS
4 X				00		第三角法 THIRD ANGLE PROJECTION						
3 X						尺度/SCALE						
2 X						台数/QTY						
1 X												
	設計部 '18.04.06 米澤	設計部 '18.04.06 松嶺	設計部 '18.04.06 武松	ESB3SI-180402-01U			MAXPULL STAINLESS STEEL WINCH (ELECTROPOLISHING) STOPPER ARMLESS ROTATING MODEL ESB-3-SI					MAXPULL MACHINERY & ENGINEERING CO., LTD. マックスプル工業株式会社