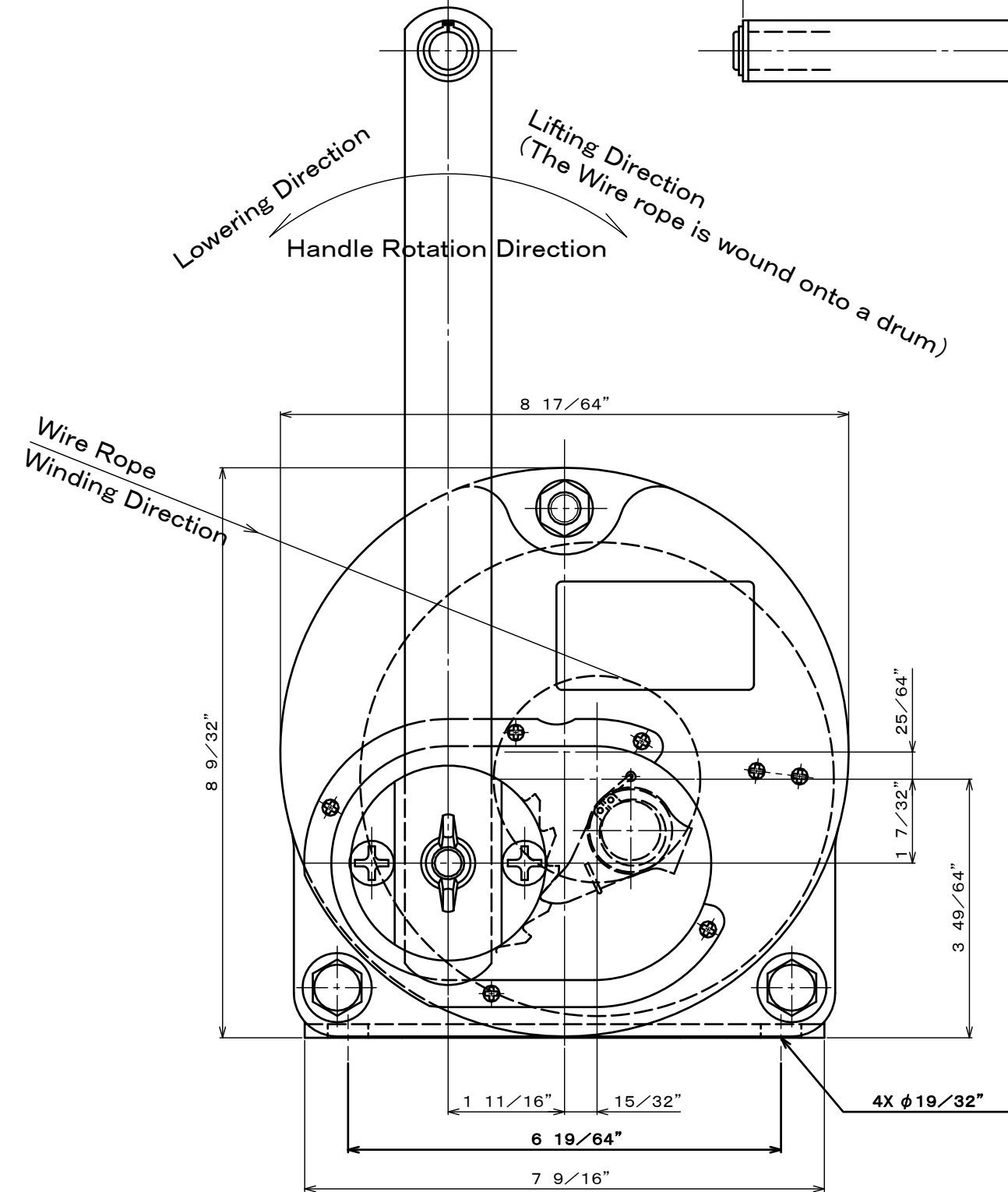


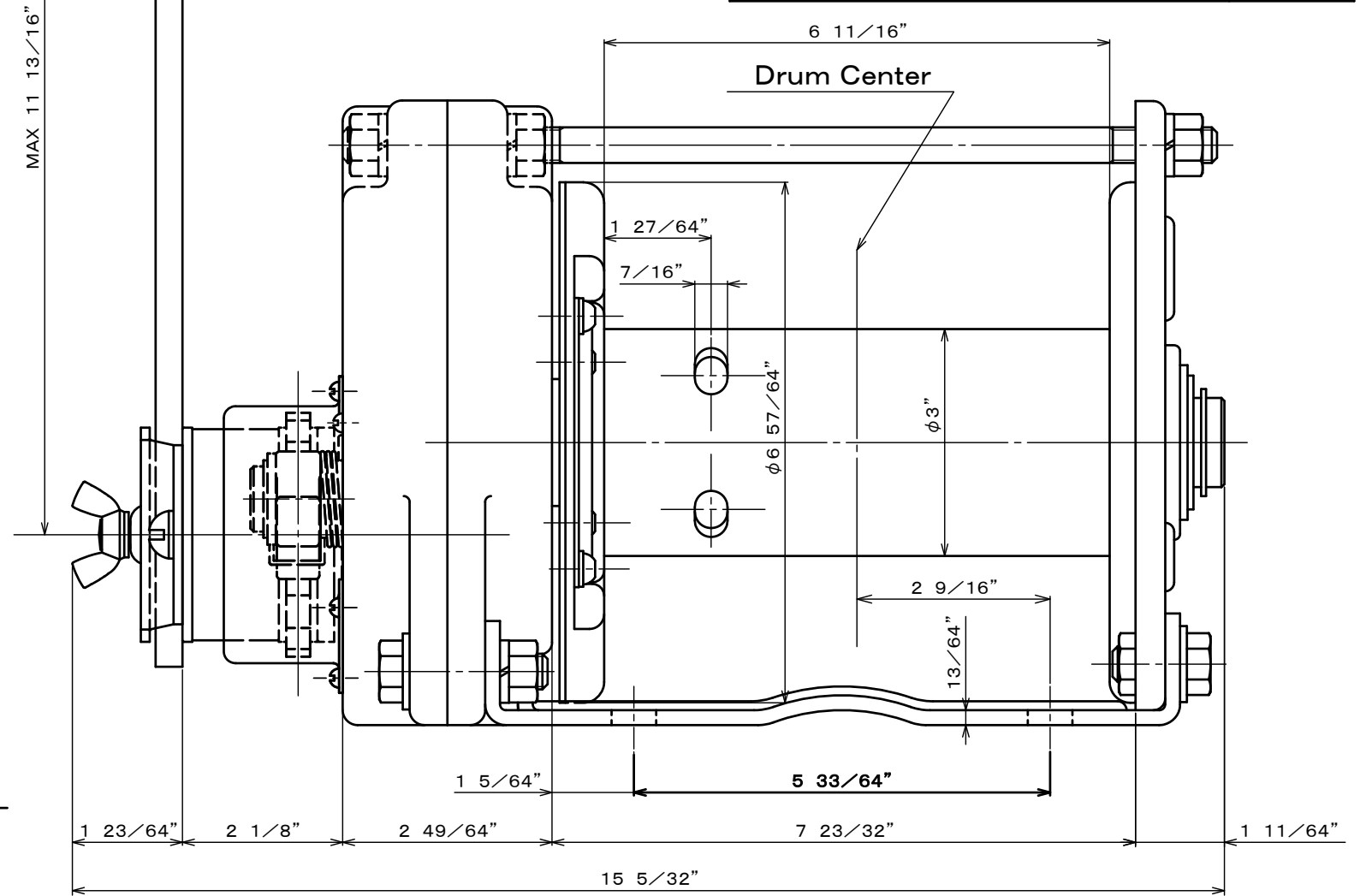
※To prevent irregular winding of the wire rope around the drum, keep the fleet angle 2 degrees or less.
Please install the pulley 9ft or more away from the drum on the center line of the drum.
※The value of specified "Wire Rope Tension" on this drawing is for the standard layer or less.
The value of the "Wire Rope Tension" must be decreased accordance with the ratio of the actual winding layers, if it exceeded.



Specifications		(The wire rope composition is a manufacturer recommendation.)	
Load Rating Wire Rope Tension	2,200 lbs (= 1,000kgf) 3rd Layer (Standard Layer)	Handle Force	Handle Length 11 13/16" Wire Rope Tension 2,200lbs
Drum Capacity	Wire Rope 5-Layer Windings φ 5/16" (6 × 36) × 114 ft	Number of Wire Rope Winding Layer 1st Layer 29.8lbs (= 13.5kgf) 2nd Layer 35.3lbs (= 16.0kgf) 3rd Layer 40.8lbs (= 18.5kgf)	
Gear Ratio	1 / 12.6	Standard Accesories One Handle One Hex Wrench for Anchoring the Wire Rope	
Effective Handle Length	11 13/16" (Maximum)	Painting	
Weight	36.6 lbs (Winch + Handle)		

[Material of the main part of the winch (JIS)]

Gear case, Gear case cover, Side frame, Drum, Bed plate, Clutch cover, Handle arm	SUS304
Drum shaft, Clutch pinion	SUS304
Main gear, Pinion gear	SCM415
Spur gear	S25C
Bolts/Nuts, Retaining rings, Springs, etc.	SUS304
Ball bearings	SUS440C
Clutch	CAC403
Mechanical brake parts except clutch	SUS303 SUS304 SUS420J2



4 ×		図面番号/DRAWING No.	改訂番号 REVISION No.	お客様/CUSTOMER	符号 MARK	項目 PARTICULARS	材料 MATERIAL	数量 QTY	単体 PER ONE	合計 TOTAL	備考 REMARKS
3 ×		ESB10SI-180402-01U	00								
2 ×		承認/APPROVED	検図/CHECKED	作成/DRAWN	図面名/TITLE MAXPULL STAINLESS STEEL WINCH (ELECTROPOLISHING) STOPPER ARMLESS ROTATING MODEL ESB-10-SI			投影法/PROJECTION METHOD 第三角法 THIRD ANGLE PROJECTION 尺度/SCALE		台数/QTY	
1 ×		設計部 '18.04.06 米澤	設計部 '18.04.06 松嶺	設計部 '18.04.06 武松	MAXPULL MACHINERY & ENGINEERING CO., LTD. マックスプル工業株式会社						
改訂/REVISION											