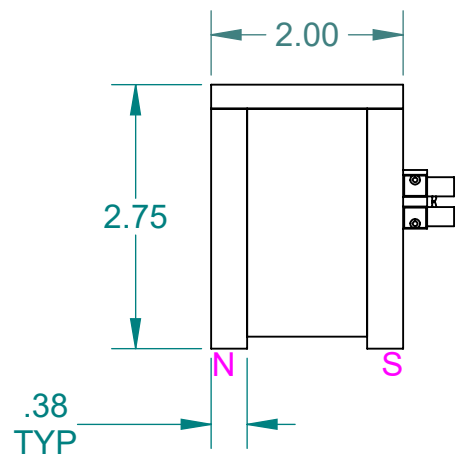
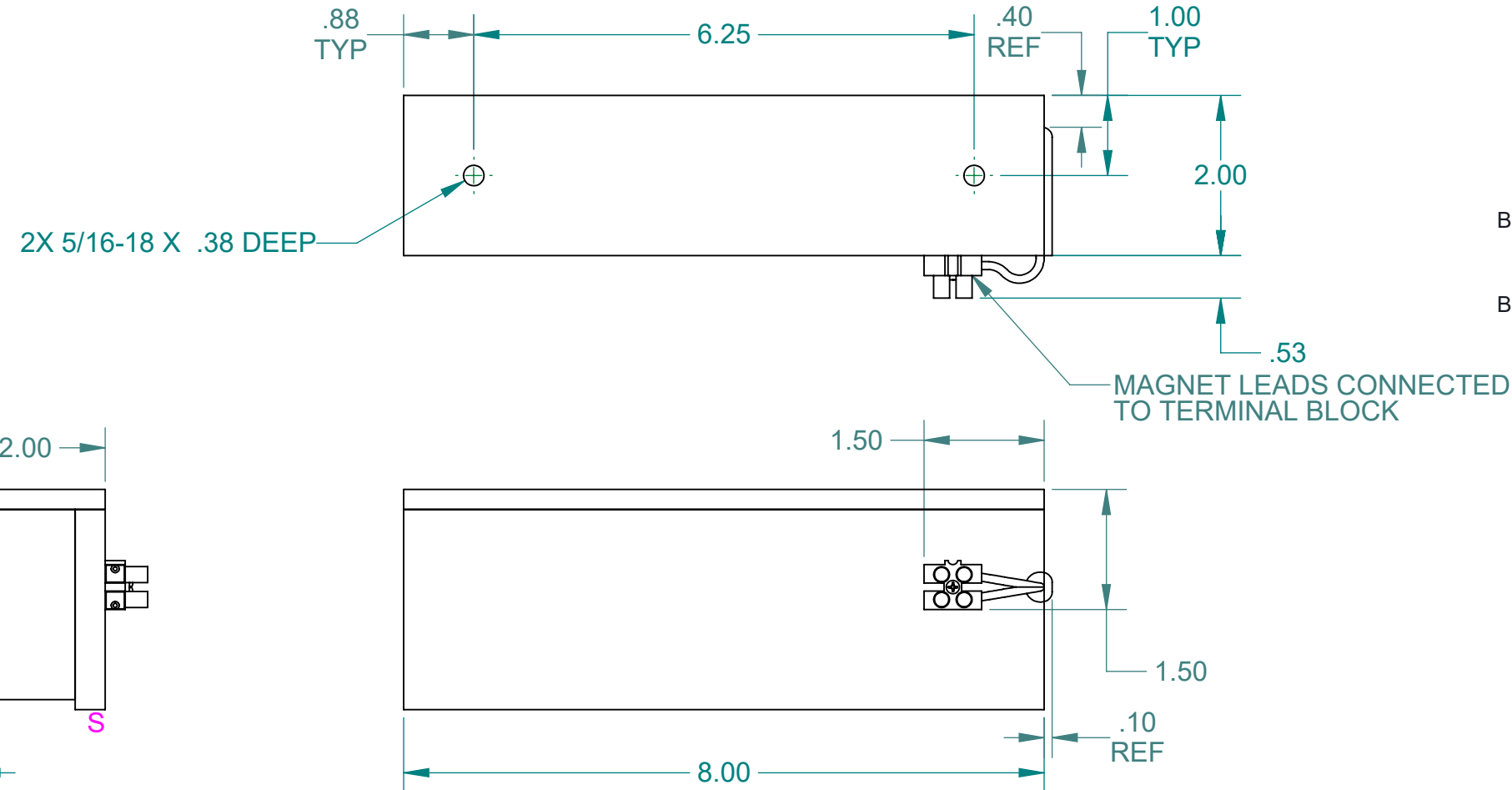


APPROXIMATE WEIGHT: 10 LBS



ALL DIMENSIONS ARE IN INCHES EXCEPT AS NOTED. B SIZE - SHEET 1 OF 1

This drawing and all of the elements thereof, including the design and principles of construction disclosed, is the sole and exclusive property of Industrial Magnetics, Inc. and is being submitted by Industrial Magnetics, Inc. for the limited purpose of assisting the designated recipient to evaluate the services of Industrial Magnetics, Inc. This drawing may not be used for any other purpose, nor may it be copied, reproduced, loaned, transferred, or communicated to any other person, either verbally or in writing, without the written consent of Industrial Magnetics, Inc.



INDUSTRIAL MAGNETICS, INC
01385 M-75 SOUTH BOYNE CITY, MICHIGAN 49712-9689 (231) 582-3100

TOLERANCES EXCEPT AS NOTED DECIMAL .00"=±.030" ANGULAR ±1° .000"=±.015"	RELEASED DATE DRAWN BY D.DEWEY RELEASED BY	R & D SCALE FULL DATE 3/15/2018	DESCRIPTION PARALLEL POLE ELECTRO MAGNET 24VDC
		PART NO. EP2-282	DRAWING NO. 2373