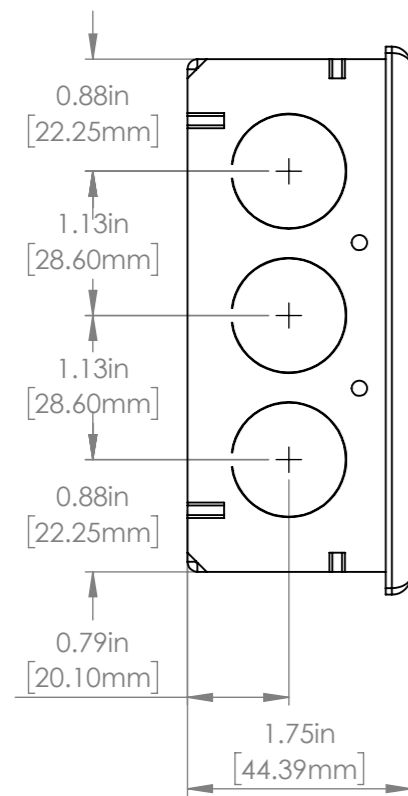
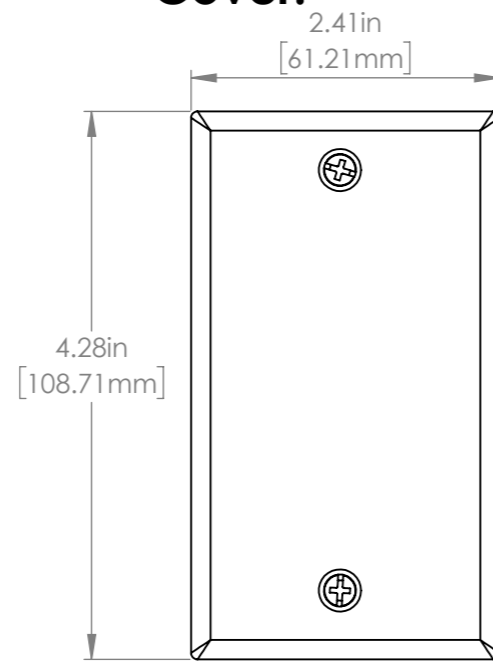


Side View:



Cover:



Front View, No Cover:

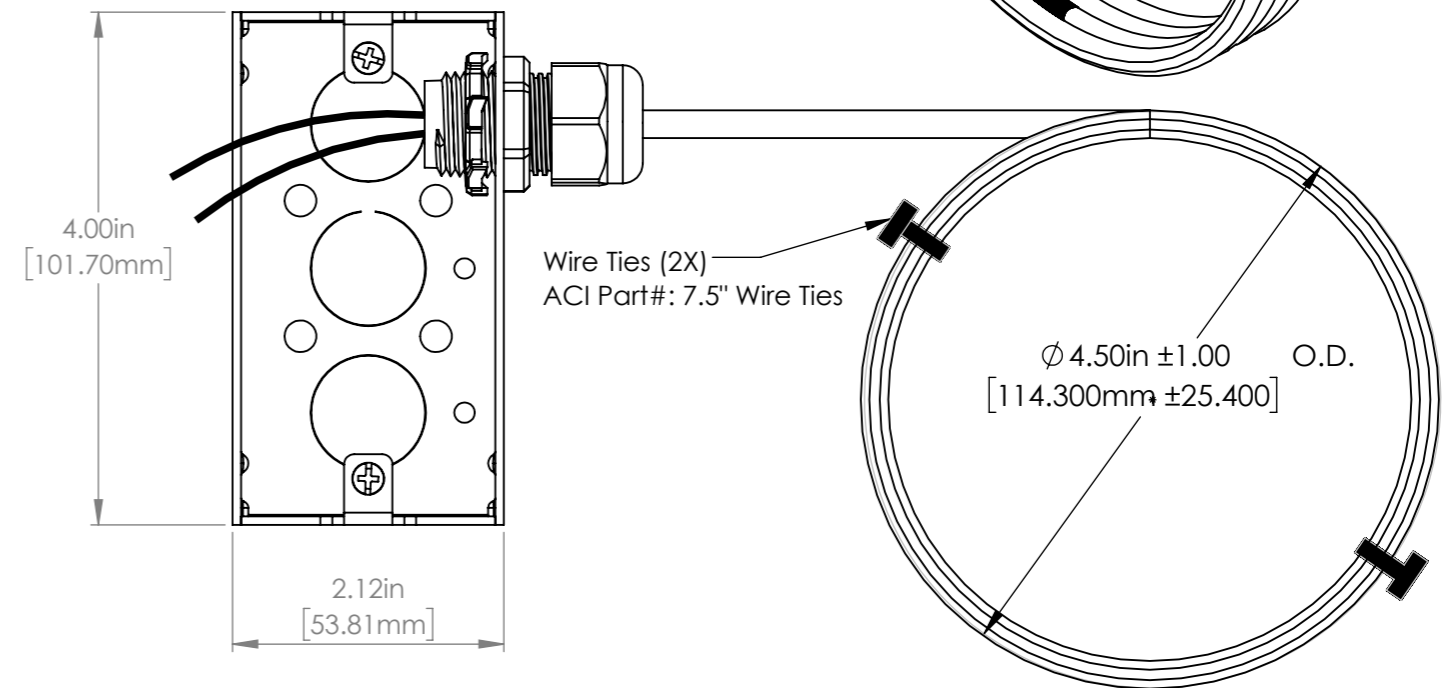


Table A:

Standard Cable Averaging Lengths	Ref A Insertion Length	Number of Sensing Elements
12'	12' ± 3.00"	4
24'	24' ± 6.00"	4

UNLESS OTHERWISE SPECIFIED: DIMENSIONS ARE IN MILLIMETERS SURFACE FINISH: TOLERANCES: LINEAR: ANGULAR:		FINISH:	DEBURR AND BREAK SHARP EDGES	DO NOT SCALE DRAWING	REVISION 2
NAME	SIGNATURE	DATE		TITLE: Flexible Averaging Temp. w/Galvanized J-Box	
DRAWN Benton		7/3/2018		DWG NO. M0000034	
CHK'D				A3	
APPV'D				SCALE:2:3	
MFG			MATERIAL:	SHEET 1 OF 1	
Q.A			WEIGHT:		