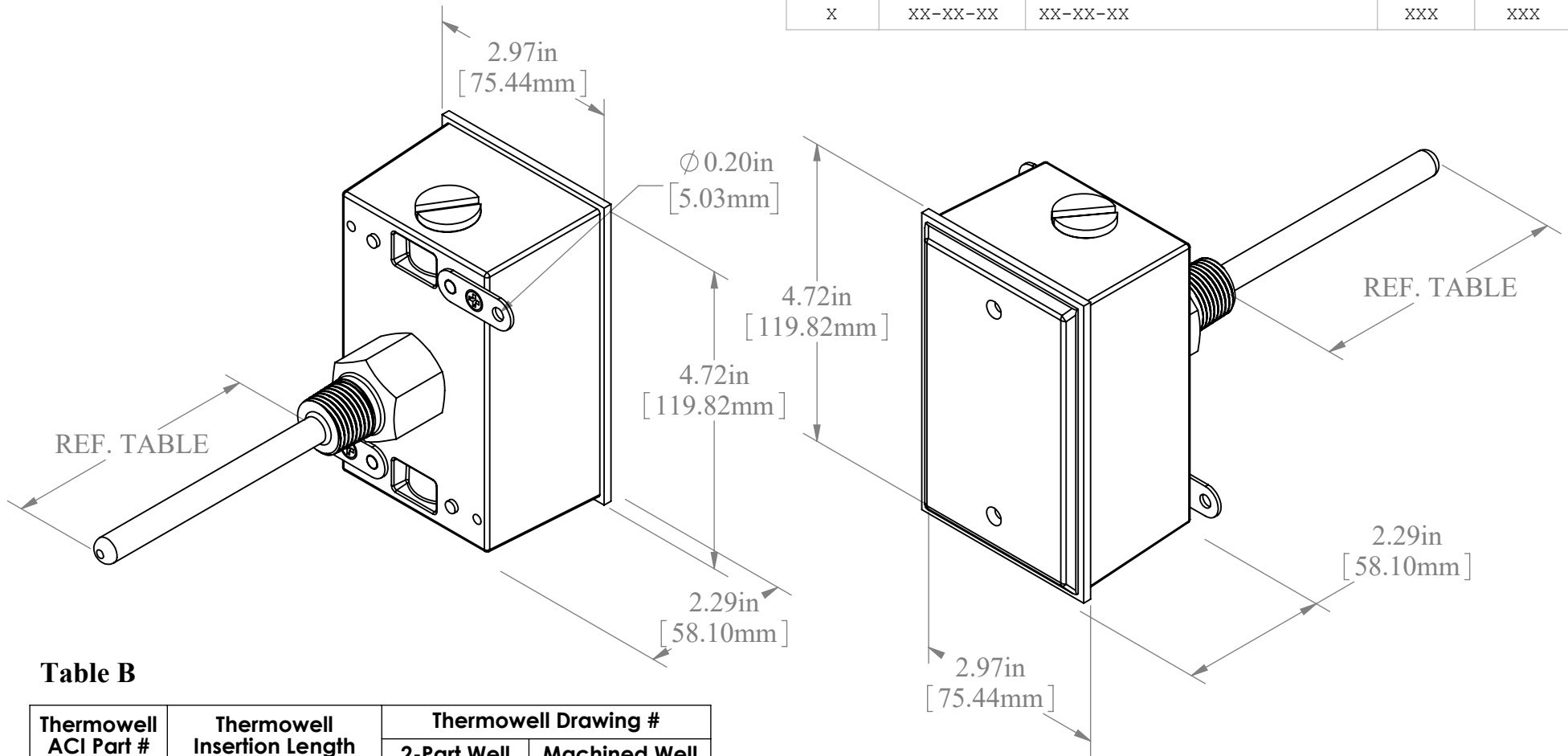


REV	REV. DATE	DESCRIPTION	REV. BY	APP'D BY
X	XX-XX-XX	XX-XX-XX	XXX	XXX



**Table B**

Thermowell ACI Part #	Thermowell Insertion Length	Thermowell Drawing #	
		2-Part Well	Machined Well
A/2.5"	2.50"	M0000088	-
A/4"	4.00"	M0000088	-
A/6"	6.25"	M0000088	-
A/M2.5"	2.50"	-	M0000089
A/M4"	4.00"	-	M0000090
A/M6"	6.25"	-	M0000090

**Note:** All ACI Immersion type sensors are provided with Thermowell unless specified when ordered. See Table B for thermowell types available and drawing number information.

TOLERANCE: (UNLESS NOTED)  
 1 PLACE DECIMAL = ±0.050  
 2 PLACE DECIMAL = ±0.020  
 3 PLACE DECIMAL = ±0.005  
 ALL DIMENSIONS IN inches [mm].  
 DRAWING NOT TO SCALE.

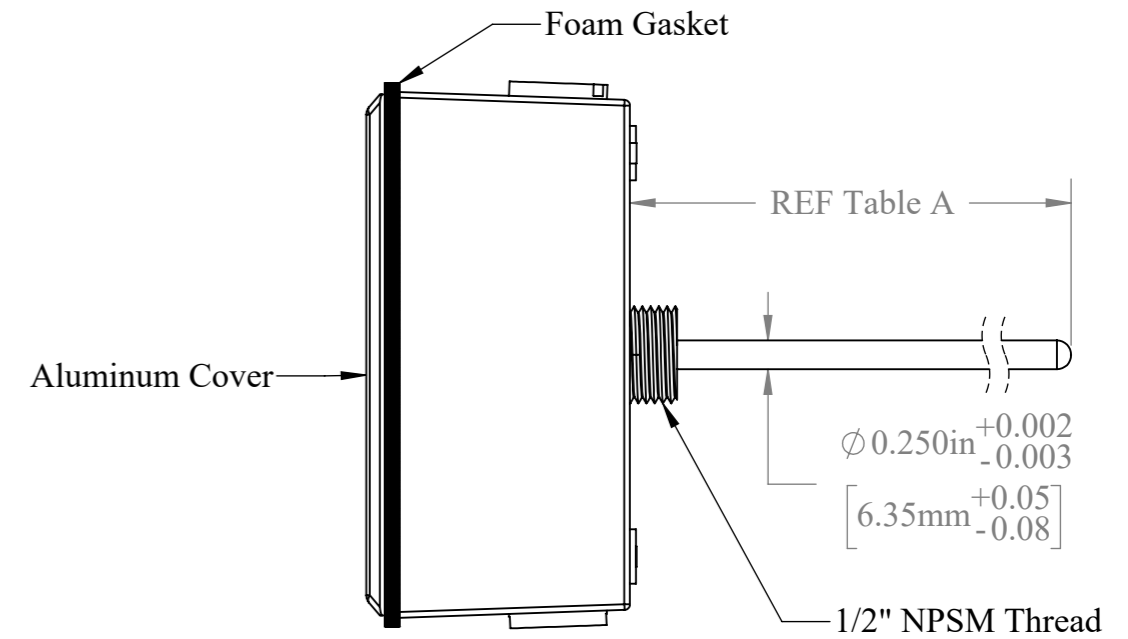
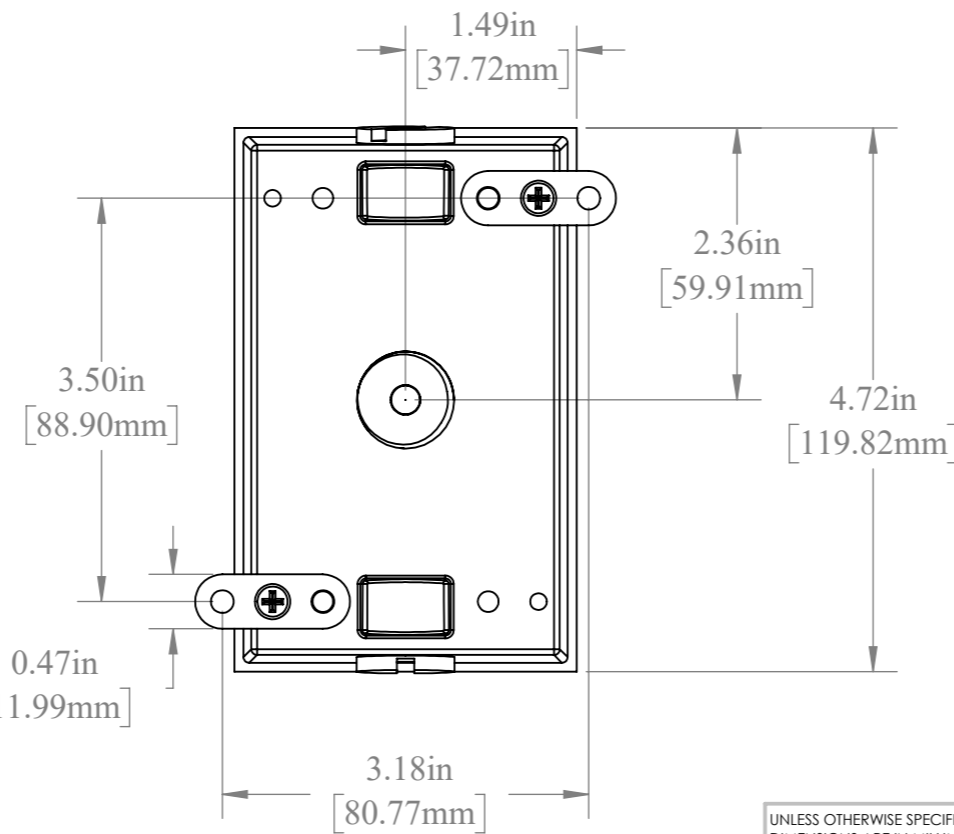
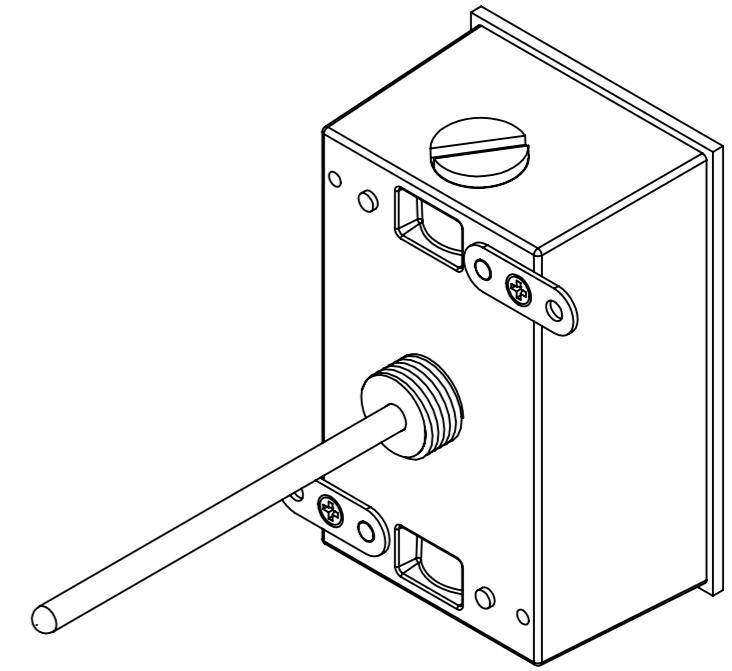
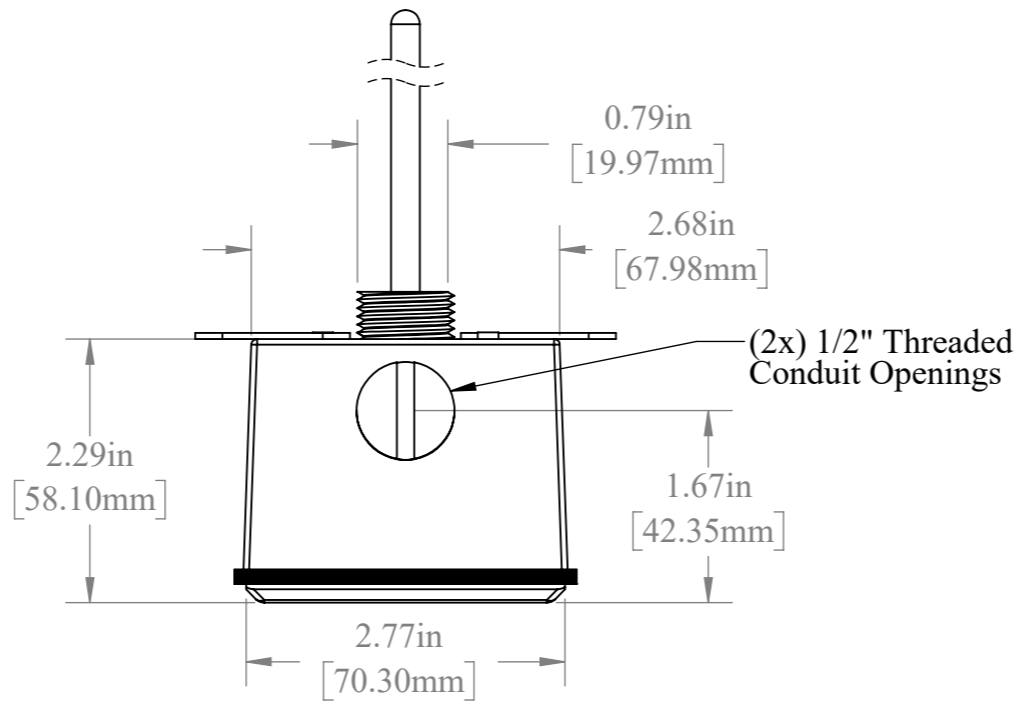
**WARNING!**  
 CONFIDENTIAL  
 INFORMATION -- PROPERTY  
 OF ACI. UNAUTHORIZED  
 USE STRICTLY FORBIDDEN.



**DRAWING NUMBER**  
 M0000085

DATE	DESCRIPTION	DRAWN BY	APPROVED BY	DRAWING NUMBER	REV
07-12-2018	Immersion Temp w/Bell Box	BEO	TJD	M0000085	6

**Note:** All ACI Immersion type sensors are provided with Thermowell unless specified when ordered.  
See Table B for the thermowell types available and drawing number information.



**Table A**

Probe Length	REF A (Insertion Length)	Thermowell Part #
4.5"	3.75" ± 0.13"	A/2.5" or A/M2.5"
6"	5.56" ± 0.13"	A/4" or A/M4"
8"	7.63" ± 0.13"	A/6" or A/M6"

**Table B**

Thermowell ACI Part #	Thermowell Insertion Length	Thermowell Drawing #	
		2-Part Well	Machined Well
A/2.5"	2.50"	M0000088	-
A/4"	4.00"	M0000088	-
A/6"	6.25"	M0000088	-
A/M2.5"	2.50"	-	M0000089
A/M4"	4.00"	-	M0000090
A/M6"	6.25"	-	M0000090

UNLESS OTHERWISE SPECIFIED: DIMENSIONS ARE IN MILLIMETERS SURFACE FINISH: TOLERANCES: LINEAR: ANGULAR:		FINISH:		DEBURR AND BREAK SHARP EDGES		DO NOT SCALE DRAWING		REVISION 2	
NAME	SIGNATURE	DATE				TITLE: <b>Immersion Temp w/Bell Box</b>			
DRAWN Benton		7/12/2018				DWG NO. <b>M0000085</b>		A3	
CHK'D						SCALE:3:5		SHEET 2 OF 2	
APPV'D									
MFG									
Q.A					MATERIAL:				
					WEIGHT:				