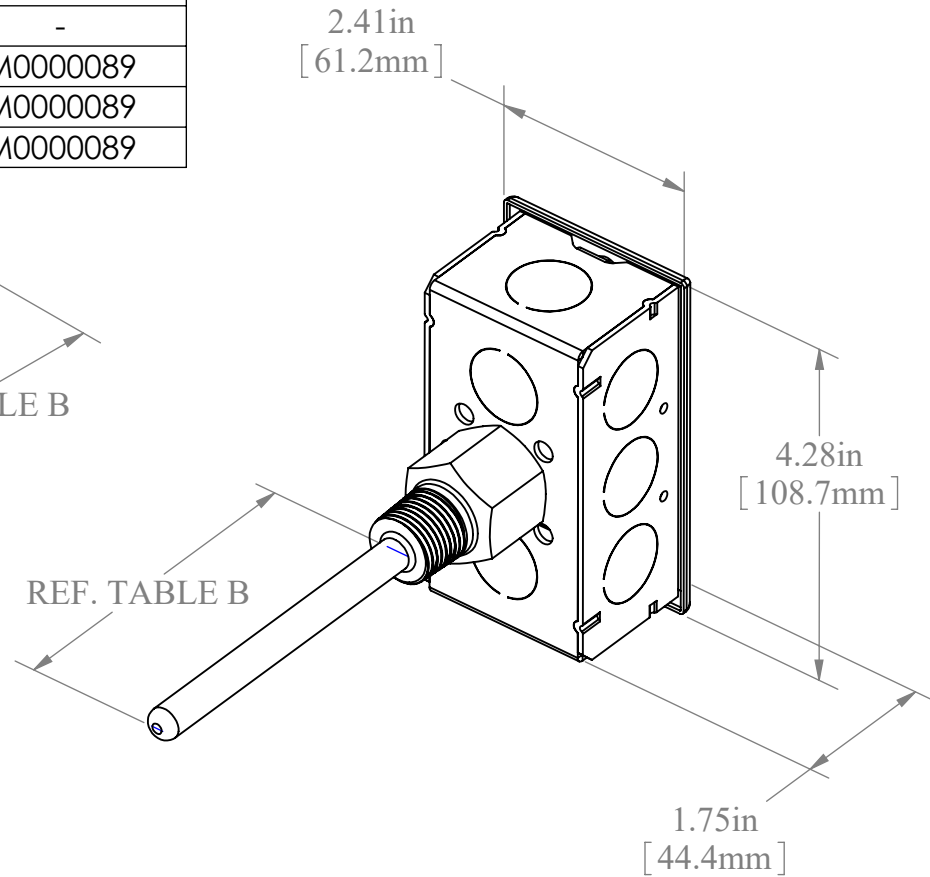
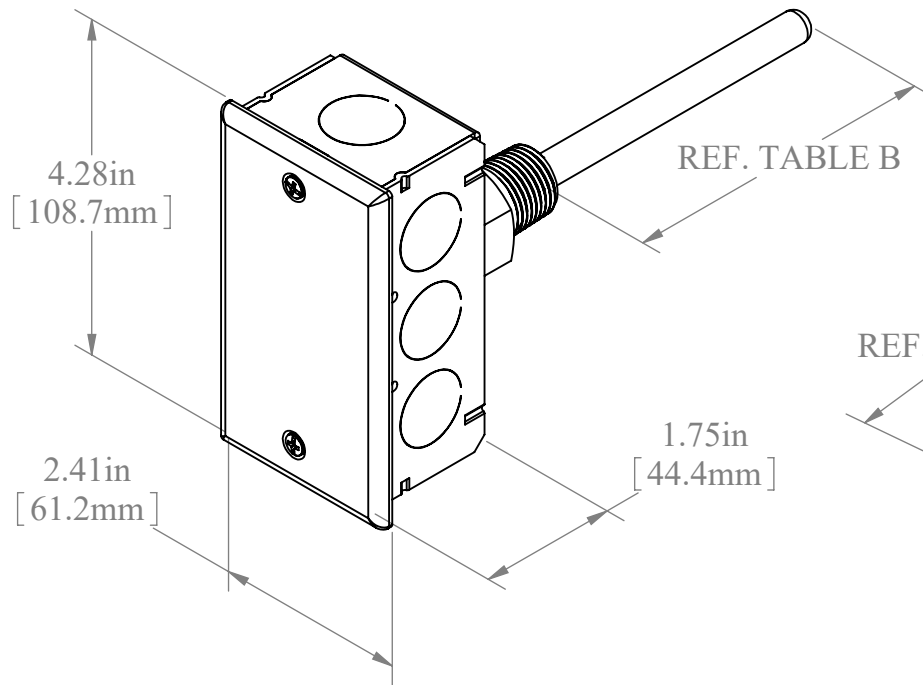


Table B

Thermowell ACI Part #	Thermowell Insertion Length	Thermowell Drawing #	
		2-Part Well	Machined Well
A/2.5"	2.50"	M0000088	-
A/4"	4.00"	M0000088	-
A/6"	6.25"	M0000088	-
A/M2.5"	2.50"	-	M0000089
A/M4"	4.00"	-	M0000089
A/M6"	6.25"	-	M0000089



TOLERANCE: (UNLESS NOTED)
 1 PLACE DECIMAL = ±0.010
 2 PLACE DECIMAL = ±0.020
 3 PLACE DECIMAL = ±0.030
 ALL DIMENSIONS IN inches [mm].
 DRAWING NOT TO SCALE.

WARNING!
 CONFIDENTIAL
 INFORMATION -- PROPERTY
 OF ACI. UNAUTHORIZED
 USE STRICTLY FORBIDDEN.

ACI
 Automation Components, Inc.

DRAWING NUMBER
 M0000040

DATE	DESCRIPTION	DRAWN BY	APPROVED BY	DRAWING NUMBER	REV
06-28-2018	Immersion Temp w/Galvanized J-Box	BEO	TJD	M0000040	3

5

4

3

2

1

8 7 6 5 4 3 2 1

Table A

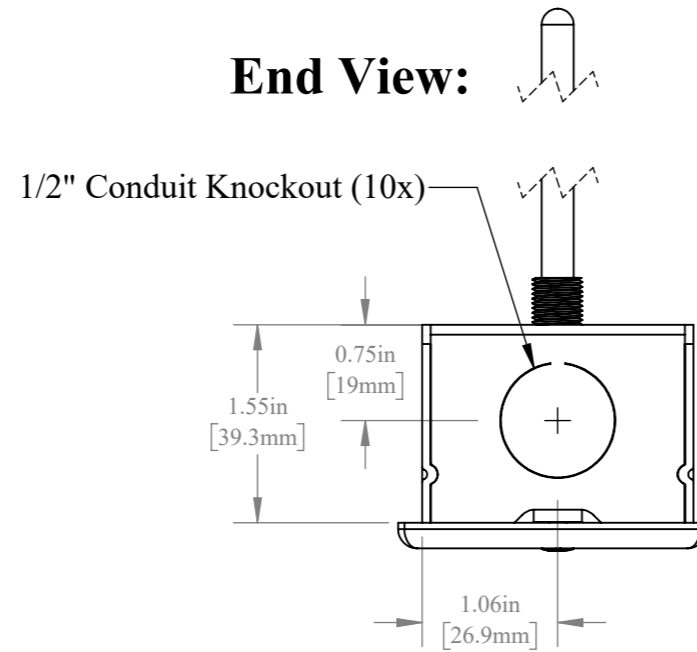
Probe Length	REF A (Insertion Length)	Thermowell Part #
4.5"	4.31" ± 0.13"	A/2.5" or A/M2.5"
6"	5.81" ± 0.13"	A/4" or A/M4"
8"	7.81" ± 0.13"	A/6" or A/M6"

Table B

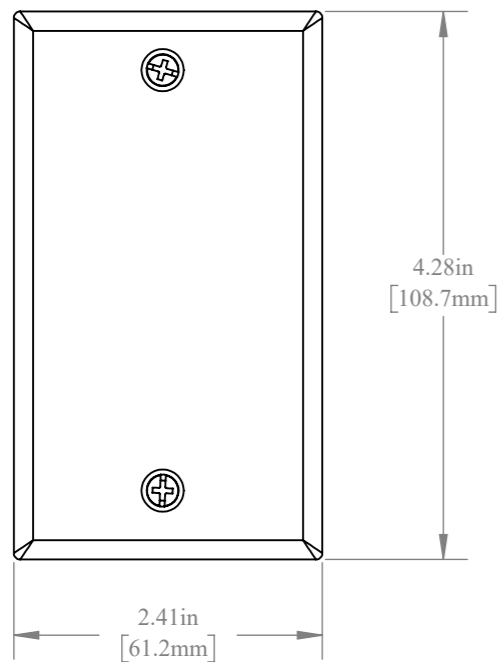
Thermowell ACI Part #	Thermowell Insertion Length	Thermowell Drawing #	
		2-Part Well	Machined Well
A/2.5"	2.50"	M0000088	-
A/4"	4.00"	M0000088	-
A/6"	6.25"	M0000088	-
A/M2.5"	2.50"	-	M0000089
A/M4"	4.00"	-	M0000089
A/M6"	6.25"	-	M0000089

Note: All ACI Immersion type sensors are provided with Thermowell unless specified when ordered. See Table B for thermowell types available and drawing number information.

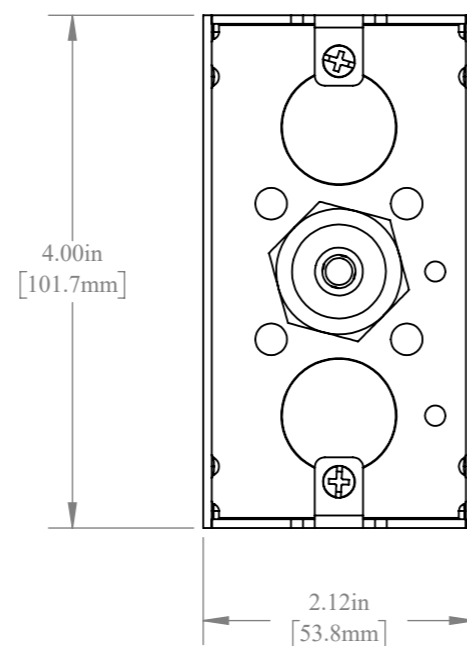
End View:



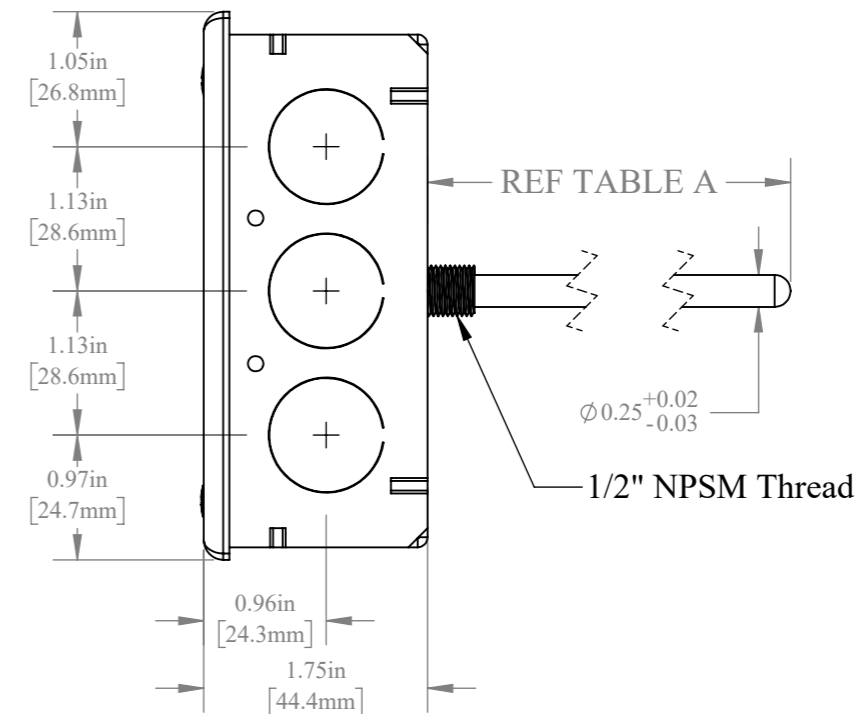
Cover:



Top View, No Cover:



Side View:



UNLESS OTHERWISE SPECIFIED: DIMENSIONS ARE IN MILLIMETERS SURFACE FINISH: TOLERANCES: LINEAR: ANGULAR:		FINISH:		DEBURR AND BREAK SHARP EDGES		DO NOT SCALE DRAWING		REVISION 3	
DRAWN Benton		SIGNATURE		DATE 6/28/2018		TITLE: Immersion Temp w/Galvanized J-Box			
CHK'D		MFG		Q.A		MATERIAL:		DWG NO. M0000040	
APPV'D		WEIGHT:		SCALE: 1:2		SHEET 2 OF 2			

8 7 6 5 4 3 2 1