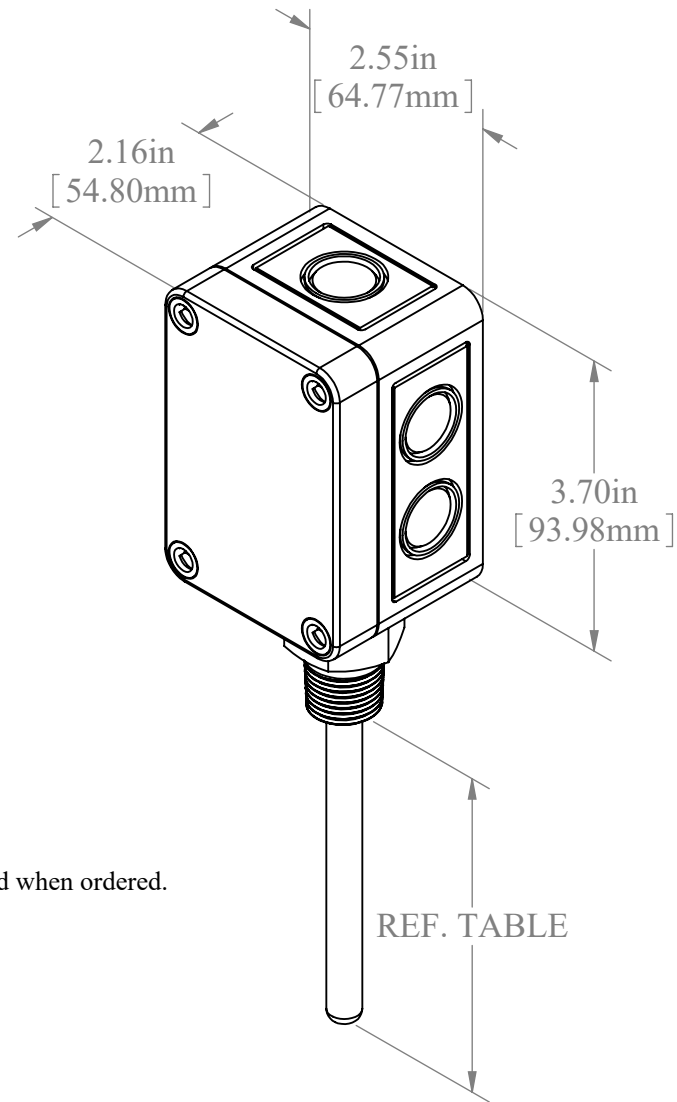



**Table B**

Thermowell ACI Part #	Thermowell Insertion Length	Thermowell Drawing #	
		2-Part Well	Machined Well
A/2.5"	2.50"	M0000088	-
A/4"	4.00"	M0000088	-
A/6"	6.25"	M0000088	-
A/M2.5"	2.50"	-	M0000089
A/M4"	4.00"	-	M0000090
A/M6"	6.25"	-	M0000090

**Note:** All ACI Immersion type sensors are provided with Thermowell unless specified when ordered.  
See Table B for thermowell types available and drawing number information.



TOLERANCE: (UNLESS NOTED) 1 PLACE DECIMAL = ±0.050 2 PLACE DECIMAL = ±0.020 3 PLACE DECIMAL = ±0.005 ALL DIMENSIONS IN inches [mm]. DRAWING NOT TO SCALE.		WARNING! CONFIDENTIAL INFORMATION -- PROPERTY OF ACI. UNAUTHORIZED USE STRICTLY FORBIDDEN.				DRAWING NUMBER M0000094	
DATE	DESCRIPTION	DRAWN BY	APPROVED BY			DRAWING NUMBER	REV
07-13-2018	Immersion Temp w/ NEMA4 Box	BEO	TJD	M0000094	2		

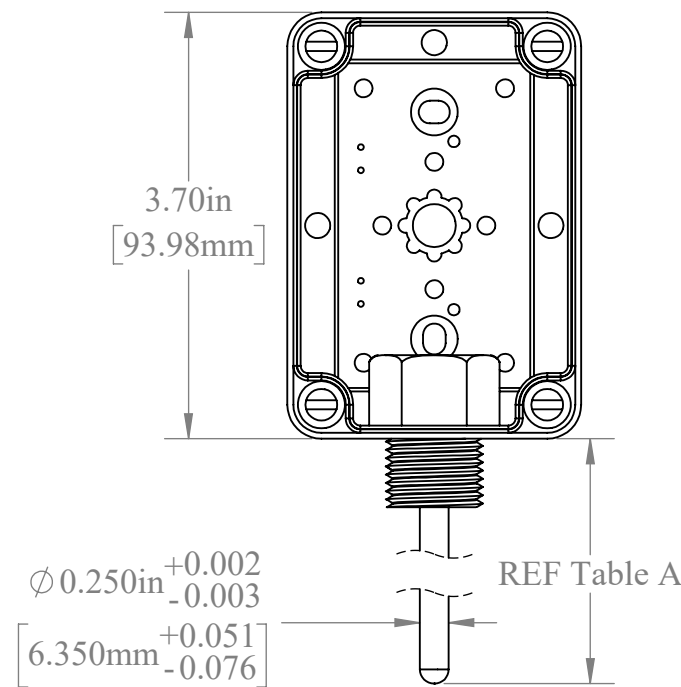
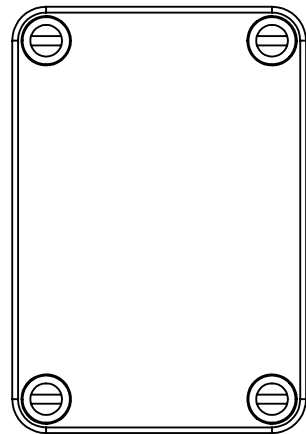
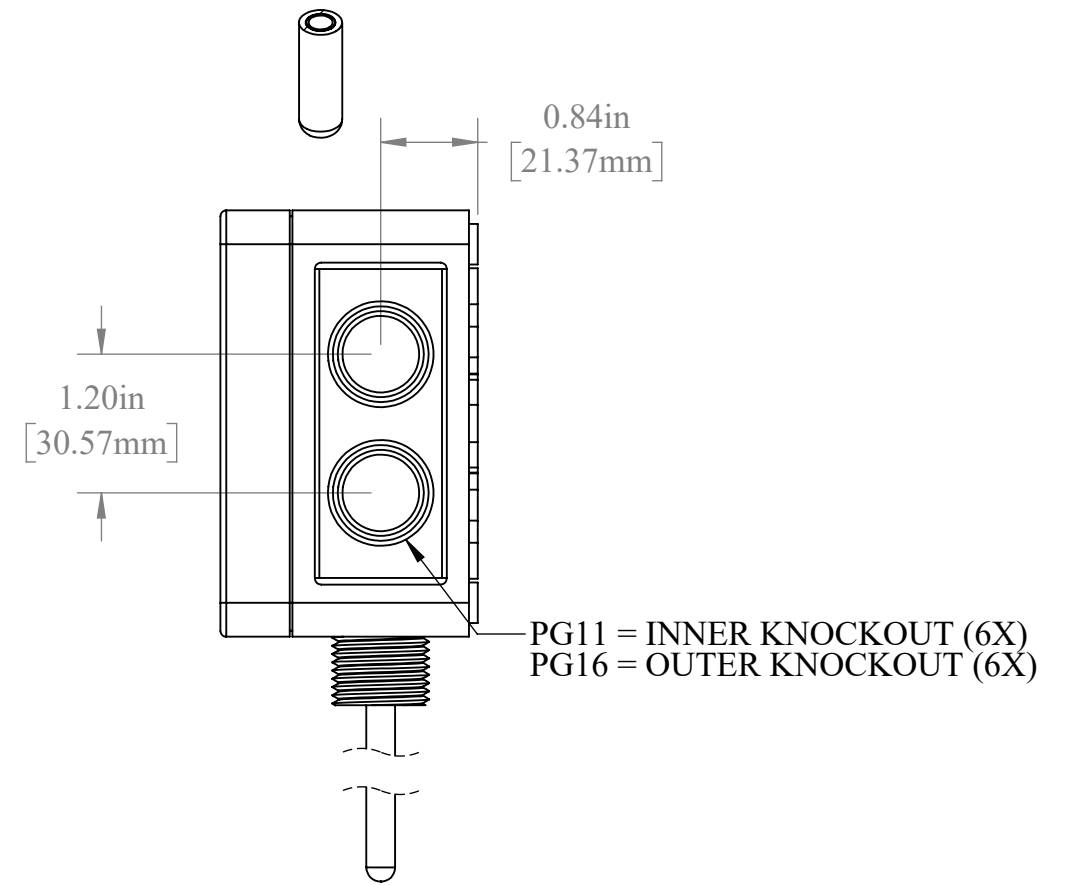
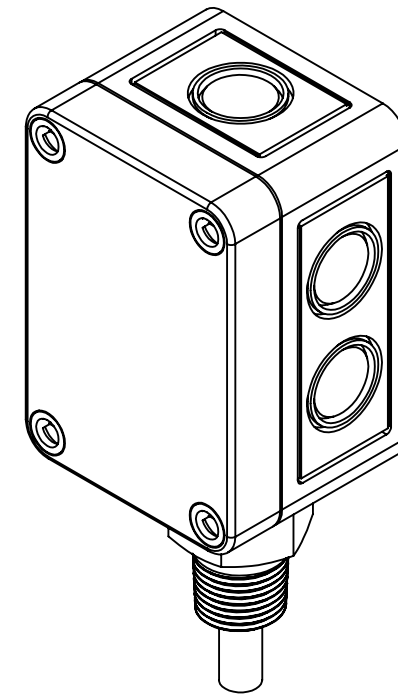
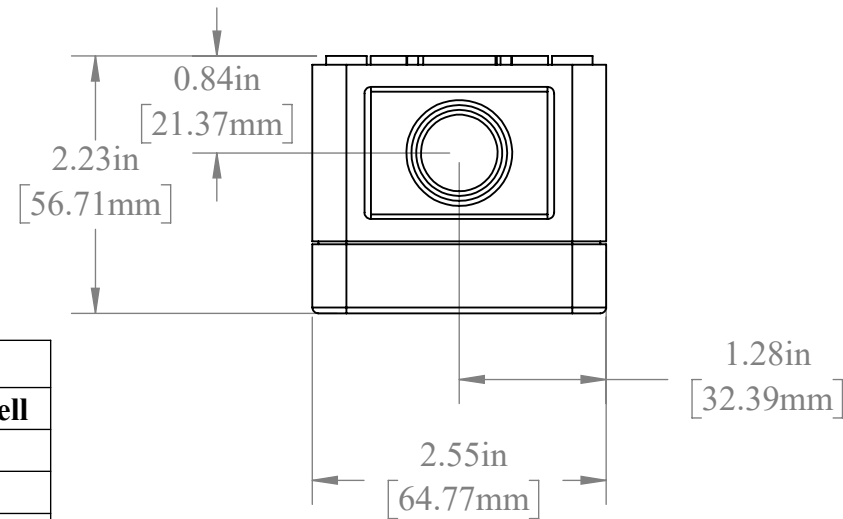
**Table A**

Probe Length	REF A (Insertion Length)	Thermowell Part #
4.5"	4.31" ± 0.13"	A/2.5" or A/M2.5"
6"	5.81" ± 0.13"	A/4" or A/M4"
8"	7.81" ± 0.13"	A/6" or A/M6"

**Table B**

Thermowell ACI Part #	Thermowell Insertion Length	Thermowell Drawing #	
		2-Part Well	Machined Well
A/2.5"	2.50"	M0000088	-
A/4"	4.00"	M0000088	-
A/6"	6.25"	M0000088	-
A/M2.5"	2.50"	-	M0000089
A/M4"	4.00"	-	M0000090
A/M6"	6.25"	-	M0000090

**Note:** All ACI Immersion type sensors are provided with Thermowell unless specified when ordered.  
See Table B for thermowell types available and drawing number information.



UNLESS OTHERWISE SPECIFIED: DIMENSIONS ARE IN MILLIMETERS		FINISH:		DEBURR AND BREAK SHARP EDGES		DO NOT SCALE DRAWING		REVISION 2	
SURFACE FINISH:									
TOLERANCES:									
LINEAR:									
ANGULAR:									
DRAWN Benton		SIGNATURE		DATE 7/13/2018		TITLE:		Immersion Temp w/ NEMA4 Box	
CHK'D						DWG NO.		M0000094	
APPV'D								A3	
MFG									
Q.A									
				MATERIAL:					
				WEIGHT:		SCALE:3:5		SHEET 2 OF 2	