

8 7 6 5 4 3 2 1

F

F

E

E

D

D

C

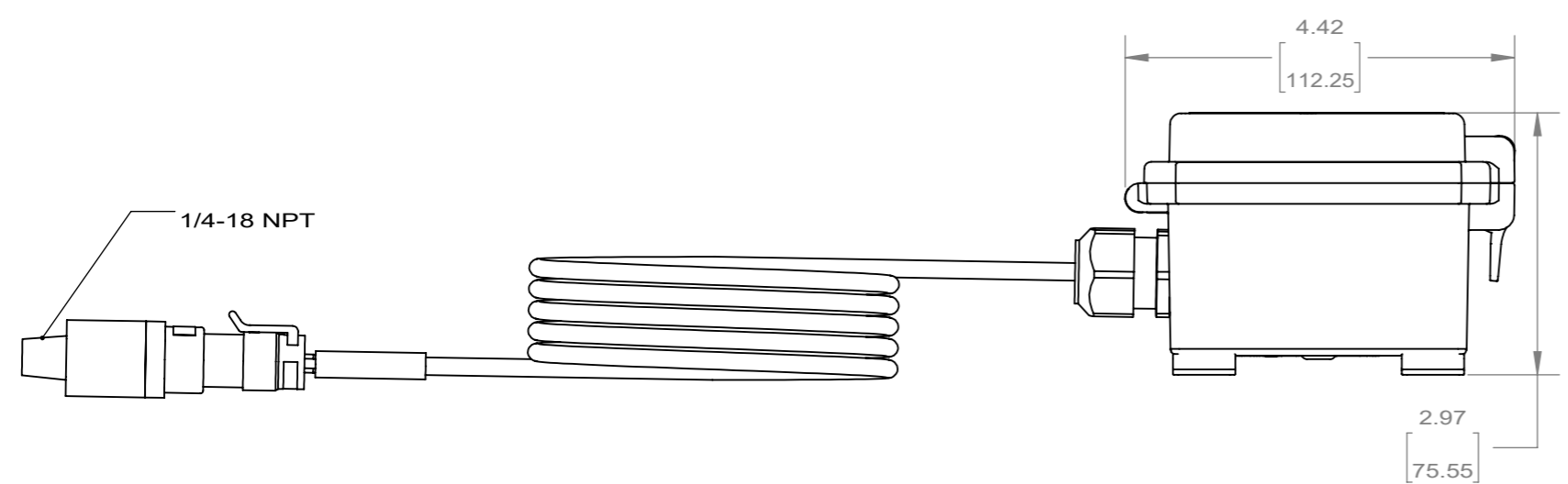
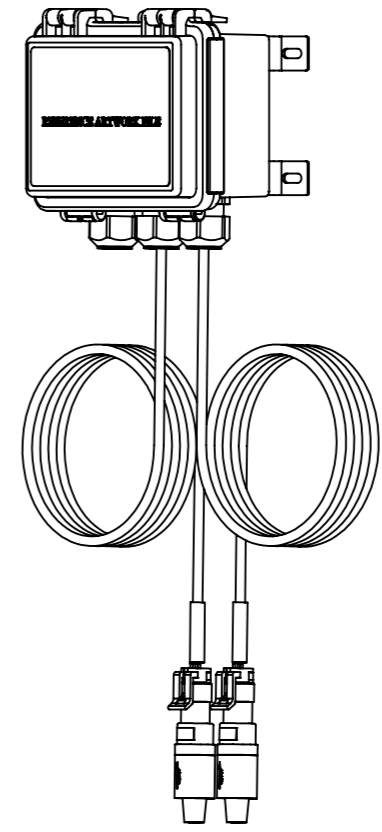
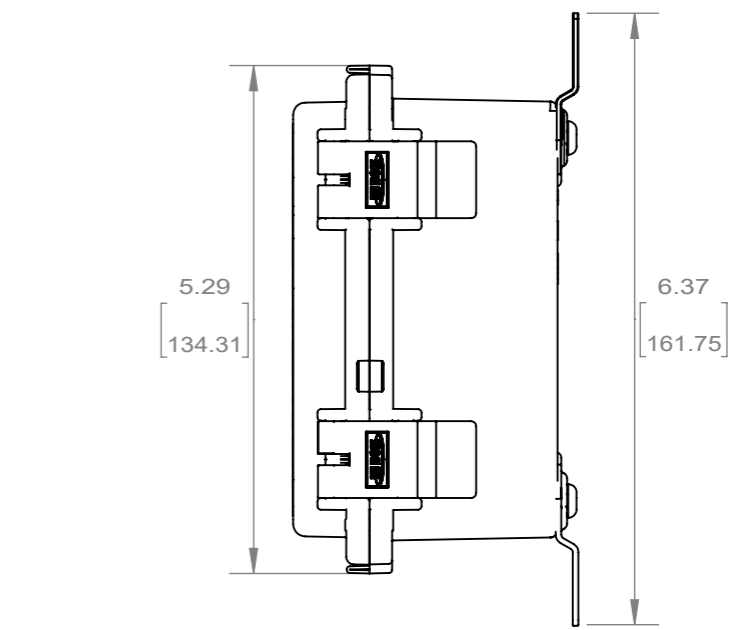
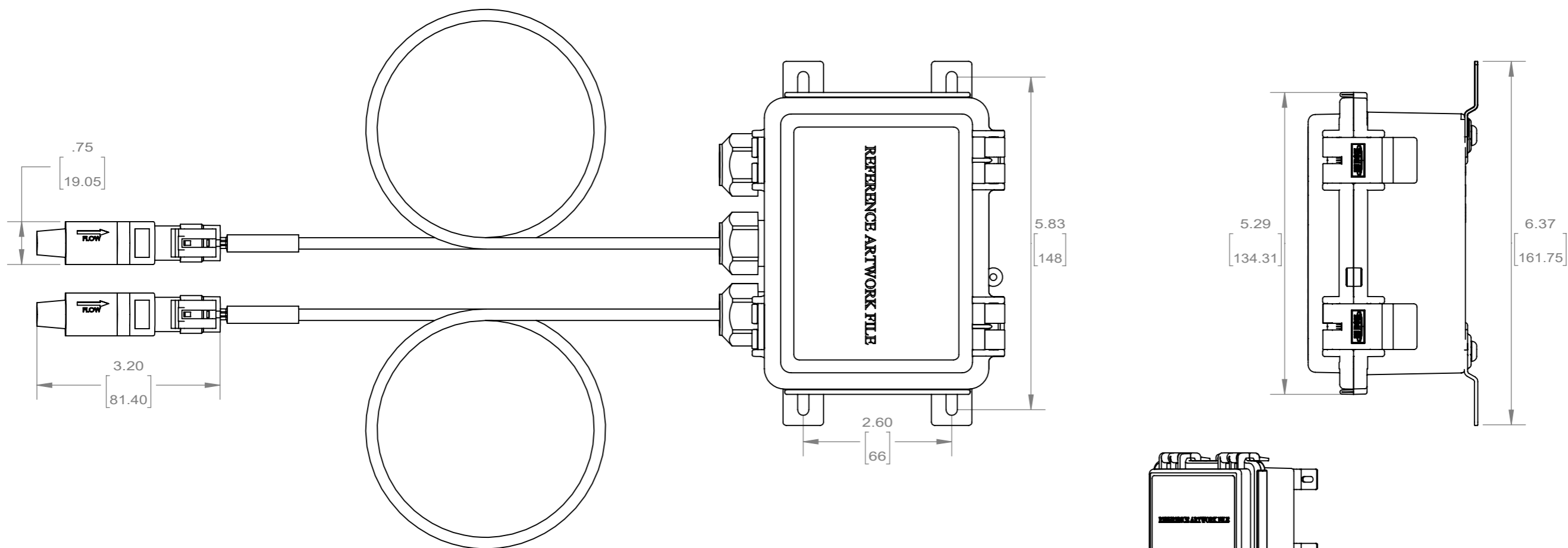
C

B

B

A

A



DO NOT SCALE DRAWING		NOT FOR MANUFACTURING USE.	
ACI PRODUCT DIMENSIONAL DRAWING: M0000403 WPR2			
<small>DIMENSIONS ARE FOR REFERENCE ONLY. ALL DIMENSIONS ARE IN INCHES [MILLIMETERS] UNLESS OTHERWISE STATED.</small>	<small>DRAWN BY:</small>	PCA	A3
	<small>DATE:</small>	06/07/2017	
<small>SCALE:1:2</small>		<small>SHEET 1 OF 1</small>	

8 7 6 5 4 3 2 1