

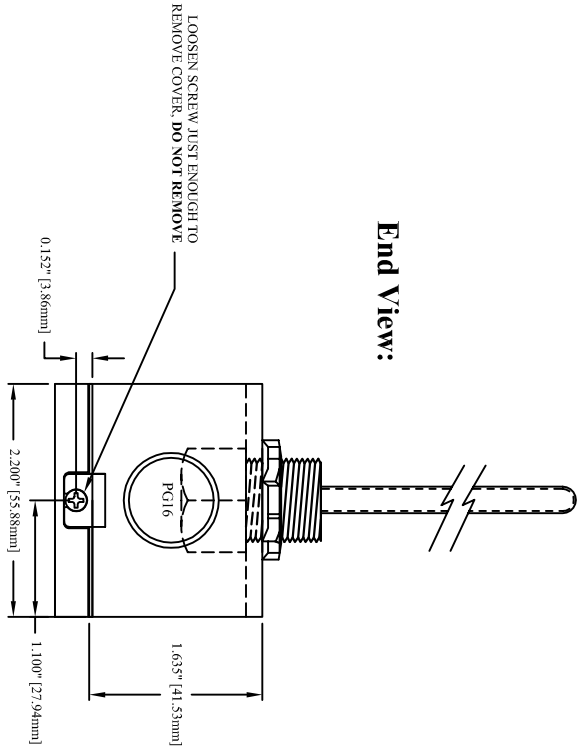
TABLE A

Probe Length	Ref A (Insertion Length)	Thermowell Part #
4.5"	4.25" ± 0.13"	A2.5" or ANM2.5"
6"	5.63" ± 0.13"	A4" or ANM4"
8"	7.63" ± 0.13"	A6" or ANM6"

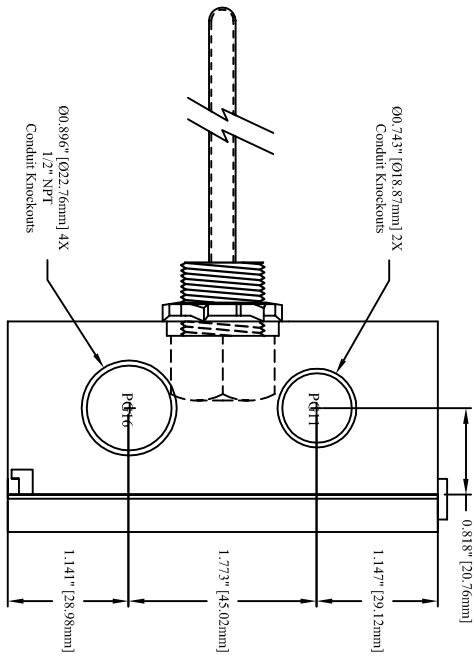
TABLE B

Thermowell ACI Part #	Thermowell Insertion Length	Thermowell Drawing # 2-Part Well	Machined Well
A2.5"	2.50"	M0000088	-
A4"	4.00"	M0000088	-
A6"	6.25"	M0000088	-
ANM2.5"	2.50"	-	M0000089
ANM4"	4.00"	-	M0000090
ANM6"	6.25"	-	M0000090

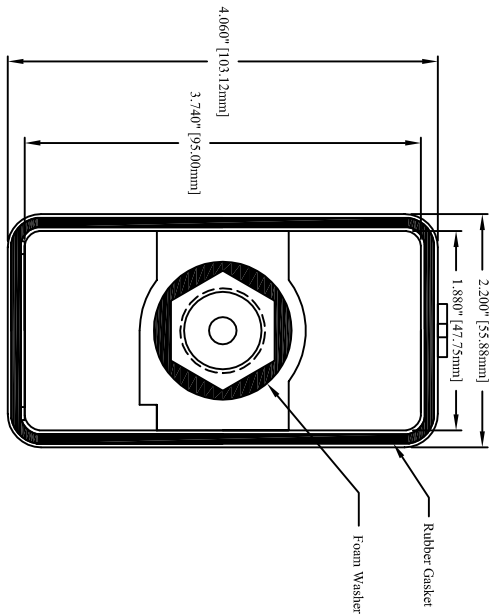
Note: All ACI Immersion type sensors are provided with Thermowell unless specified v
See Table B for thermowell types available and drawing number information.



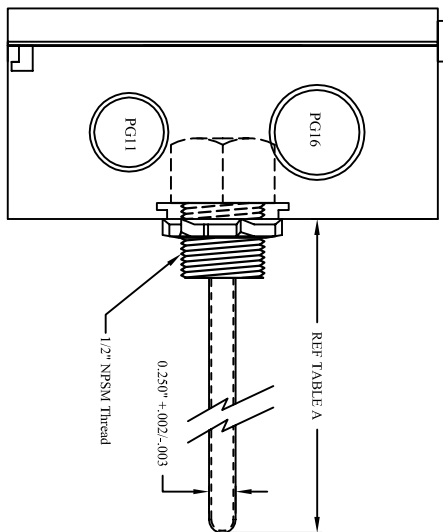
Left Side View:



Top View, No Cover:



Right Side View:



TOLERANCE: (UNLESS NOTED)
3 PLACE DECIMAL = ±0.010
2 PLACE DECIMAL = ±0.130
1 PLACE DECIMAL = ±0.300
ALL DIMENSIONS IN IN [mm].
DRAWING NOT TO SCALE.

WARNING!
CONFIDENTIAL
INFORMATION--
PROPERTY OF ACI.
UNAUTHORIZED USE
STRICTLY FORBIDDEN.

ACI
Automation Components, Inc.

DRAWING NUMBER
M0000083

DATE	DESCRIPTION	DRAWN BY	APPROVED BY	DRAWING NUMBER	REV
12-12-07	IMMERSION TEMP. w/PLASTIC J-BOX	TJD	TJD	M0000083	1

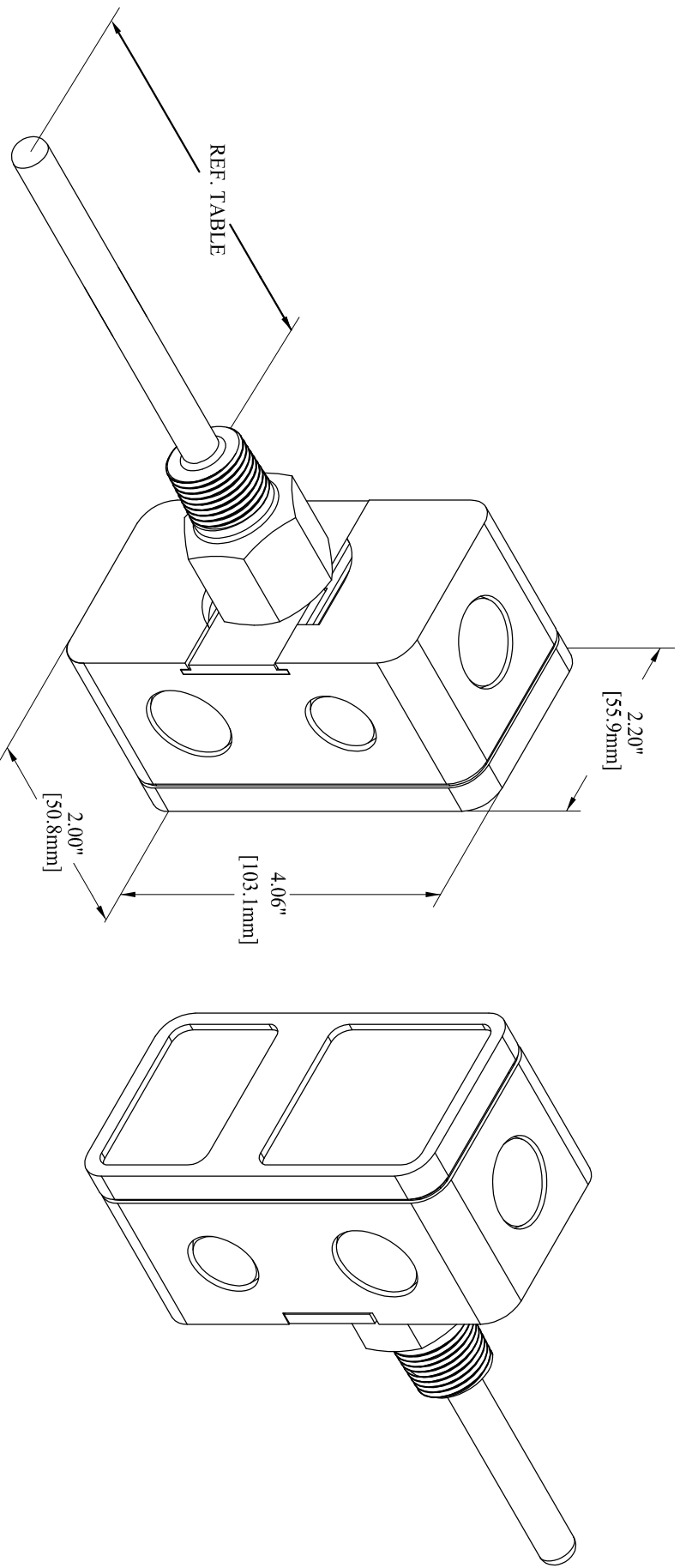


TABLE B

Thermowell ACI Part #	Thermowell Insertion Length	Thermowell Drawing # 2-Part Well	Machined Well
A/2.5"	2.50"	M0000088	-
A/4"	4.00"	M0000088	-
A/6"	6.25"	M0000088	-
A/M2.5"	2.50"	-	M0000089
A/M4"	4.00"	-	M0000090
A/M6"	6.25"	-	M0000090

Note: All ACI Immersion type sensors are provided with Thermowell unless specified when ordered.
See Table B for thermowell types available and drawing number information.

TOLERANCE: (UNLESS NOTED)
 3 PLACE DECIMAL = ±0.010
 2 PLACE DECIMAL = ±0.130
 1 PLACE DECIMAL = ±0.300
 ALL DIMENSIONS IN In [mm].
 DRAWING NOT TO SCALE.

WARNING!
 CONFIDENTIAL
 INFORMATION--
 PROPERTY OF ACI.
 UNAUTHORIZED USE
 STRICTLY FORBIDDEN.



DRAWING NUMBER
 M0000083

DATE	DESCRIPTION	DRAWN BY	APPROVED BY	DRAWING NUMBER	REV
12-12-07	IMMERSION TEMP. w/PLASTIC J-BOX	TJD	TJD	M0000083	1