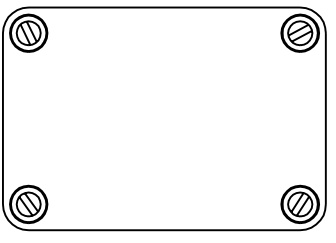
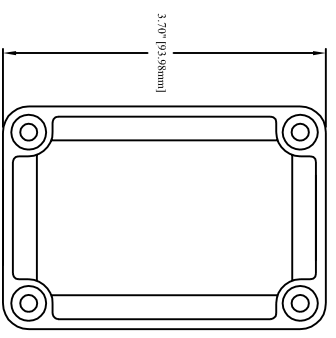


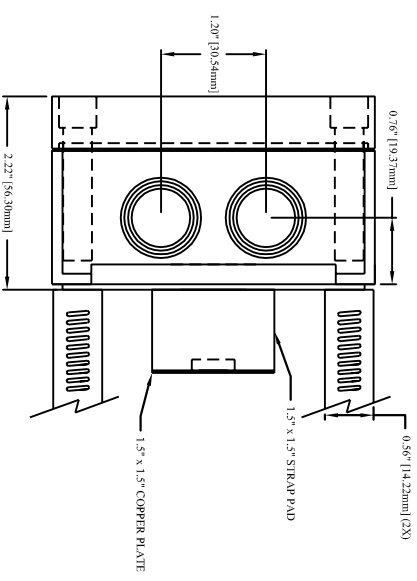
Cover:



Front View, No Cover:



Side View:



TOLERANCE: (UNLESS NOTED)

3 PLACE DECIMAL = ±0.010

2 PLACE DECIMAL = ±0.130

1 PLACE DECIMAL = ±0.300

ALL DIMENSIONS IN [in/[mm]].

DRAWING NOT TO SCALE.

WARNING!

CONFIDENTIAL INFORMATION-- PROPERTY OF ACT. UNAUTHORIZED USE STRICTLY FORBIDDEN.



DRAWING NUMBER

M0000038

DATE	DESCRIPTION	DRAWN BY	APPROVED BY	DRAWING NUMBER	REV
3-11-08	STRAP-ON TEMP w/ NEMA 4X BOX	DJK	TJD	M0000038	2