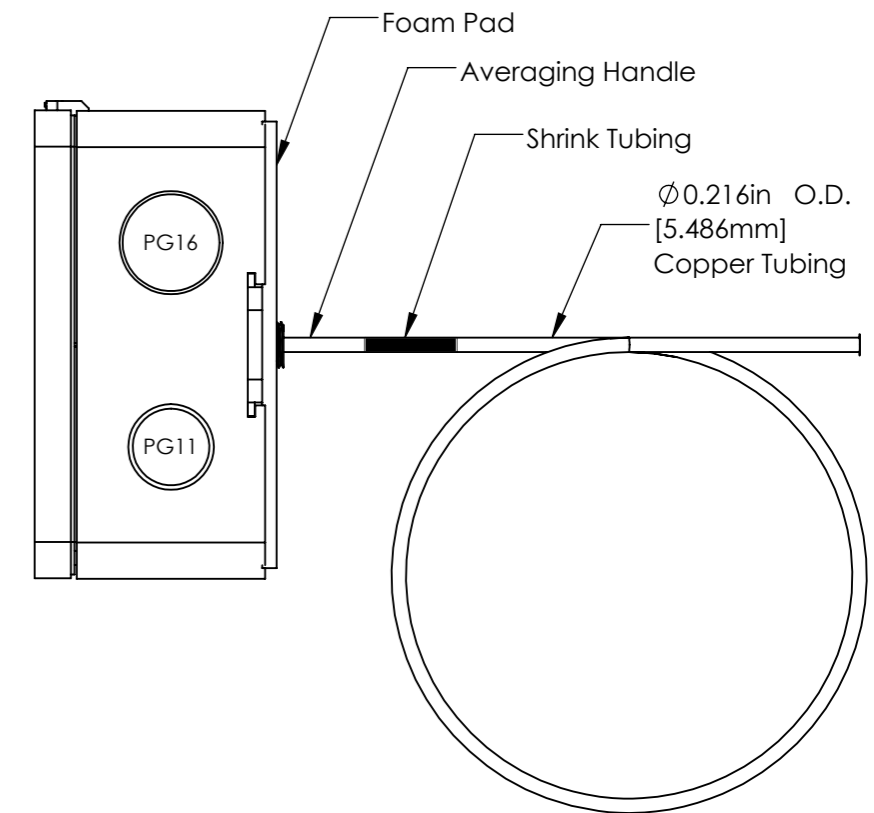
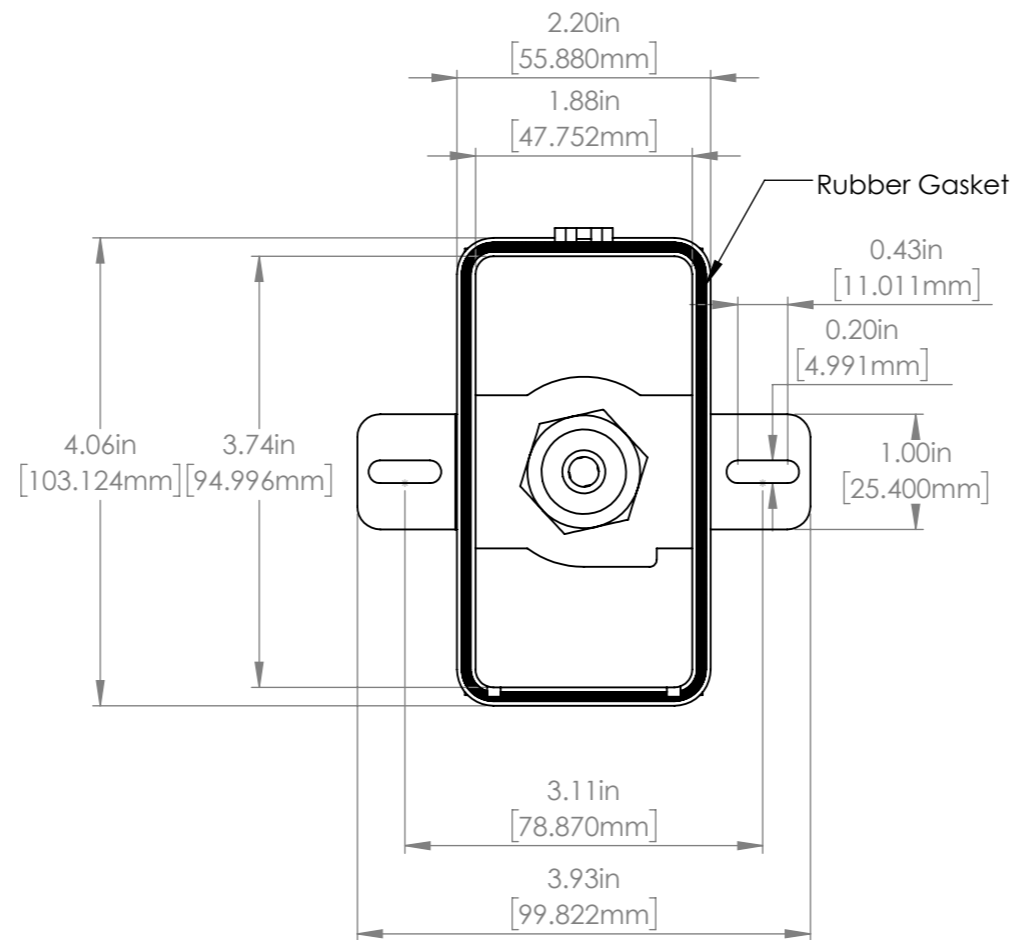
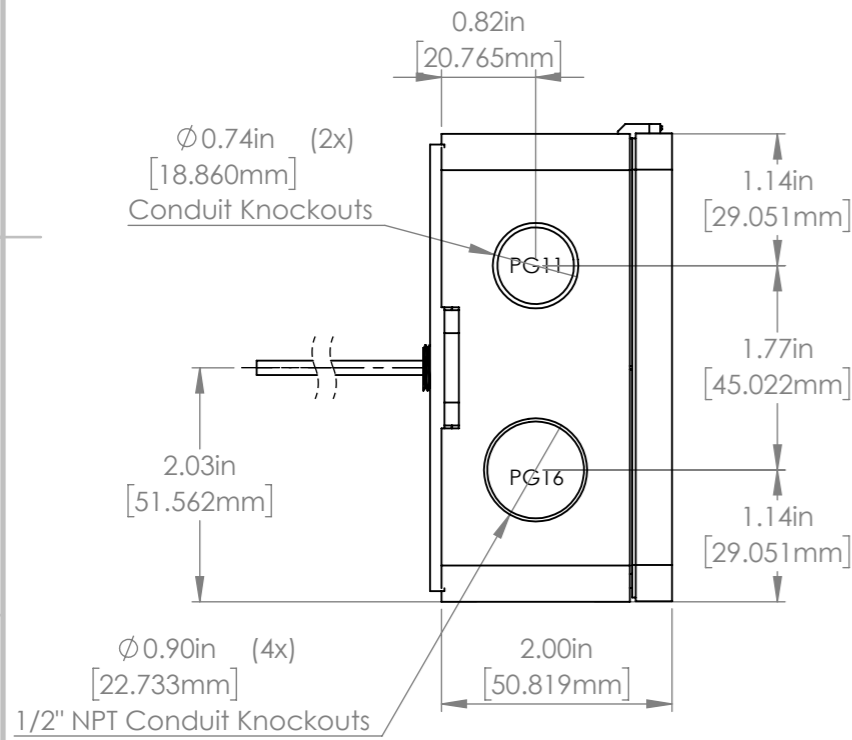
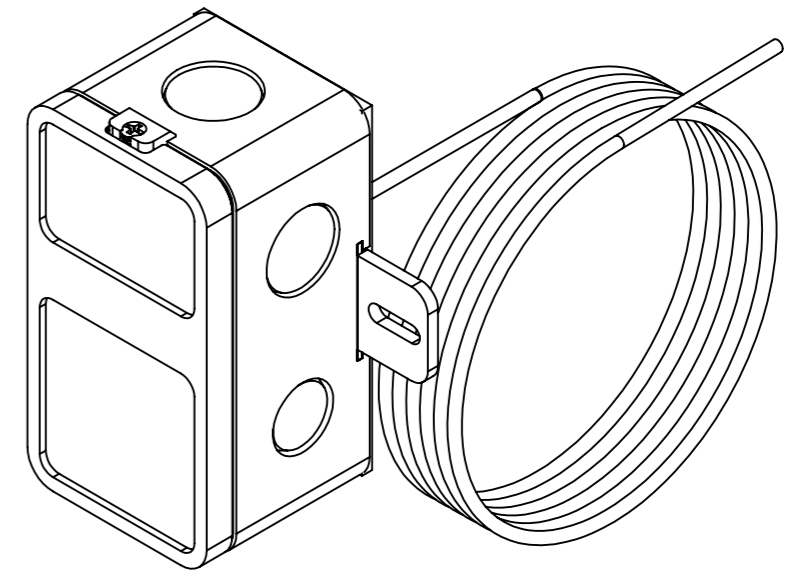
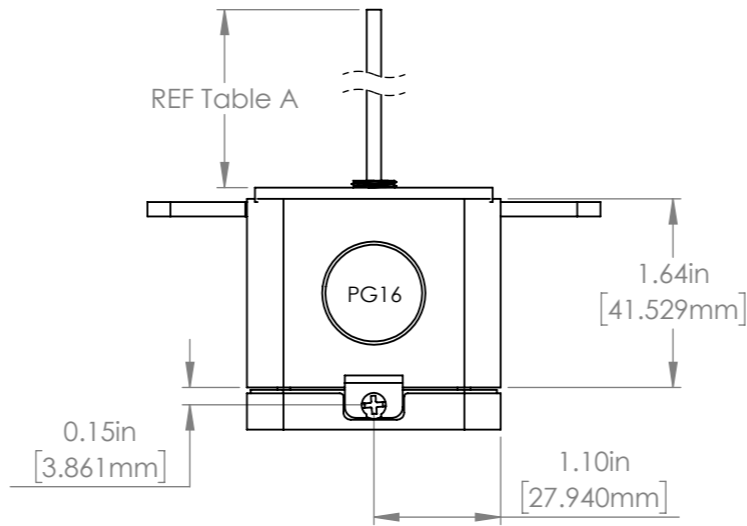


**Table A**

Standard Copper Averaging Lengths	REF A (Insertion Length)
8'	8.0' ± 5.0"
12'	12.0' ± 5.0"
24'	24.0' ± 5.0"



UNLESS OTHERWISE SPECIFIED: DIMENSIONS ARE IN MILLIMETERS SURFACE FINISH: TOLERANCES: LINEAR: ANGULAR:		FINISH:	DEBURR AND BREAK SHARP EDGES	DO NOT SCALE DRAWING	REVISION 2
NAME	SIGNATURE	DATE		TITLE: <b>Copper Averaging Temp w/Plastic J-Box</b>	
DRAWN Benton		7/6/2018		DWG NO. <b>M0000059</b>	
CHK'D				A3	
APPV'D				SCALE:3:5	
MFG			MATERIAL:	SHEET 1 OF 1	
Q.A			WEIGHT:		