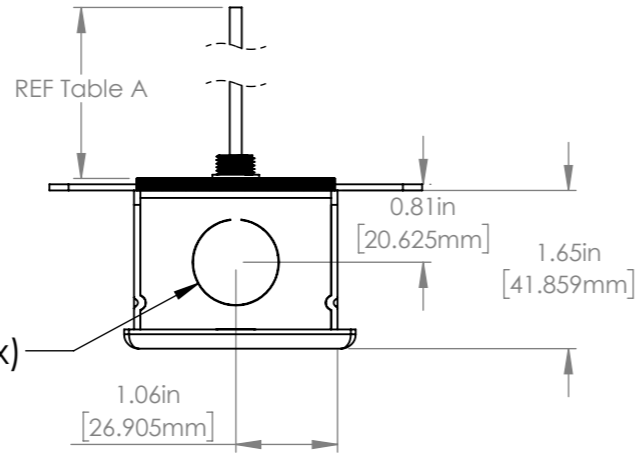
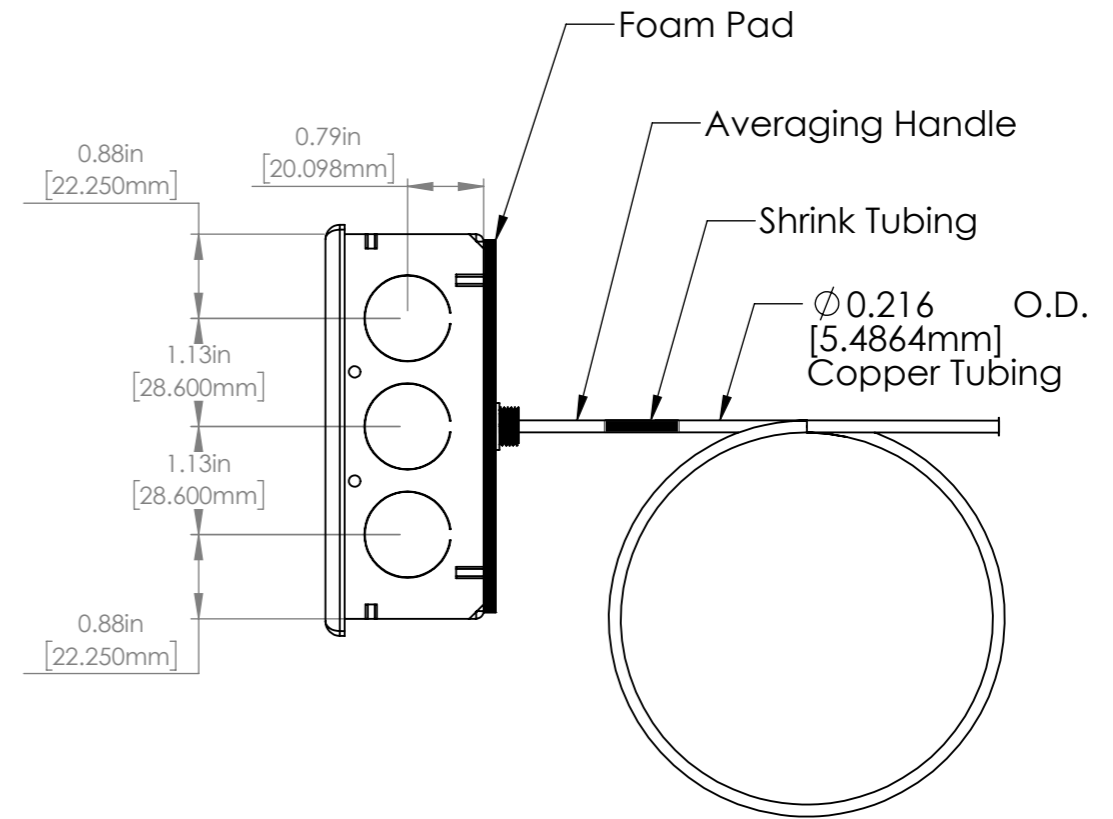
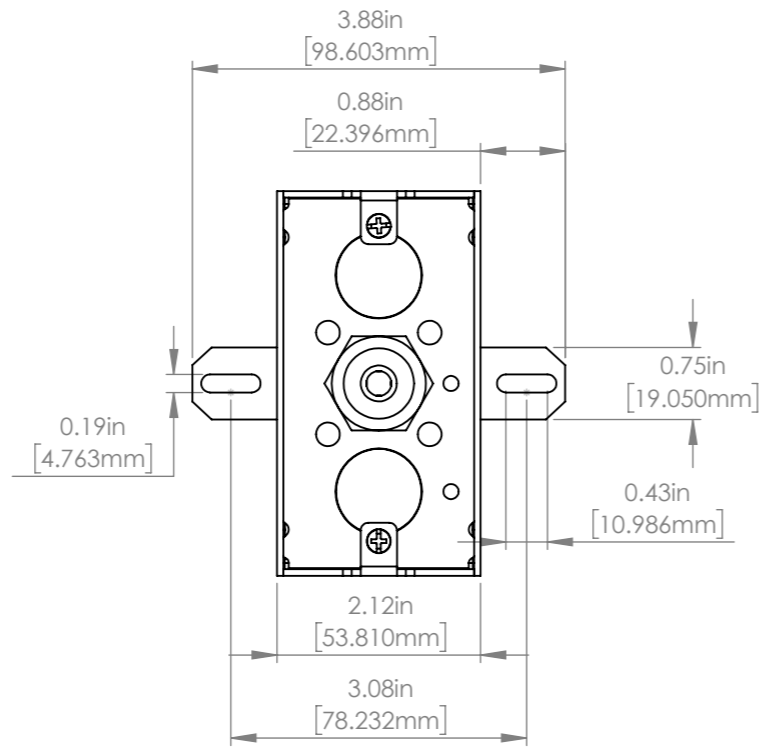
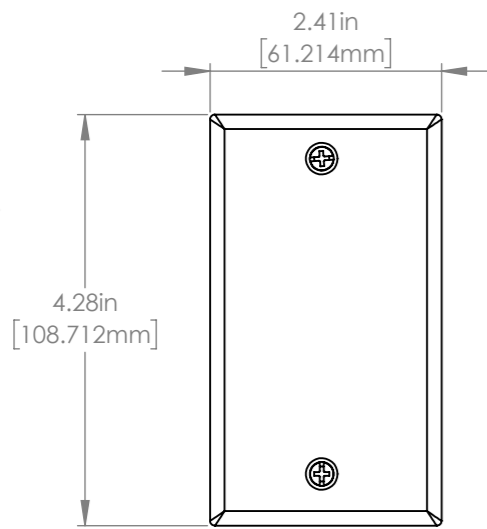
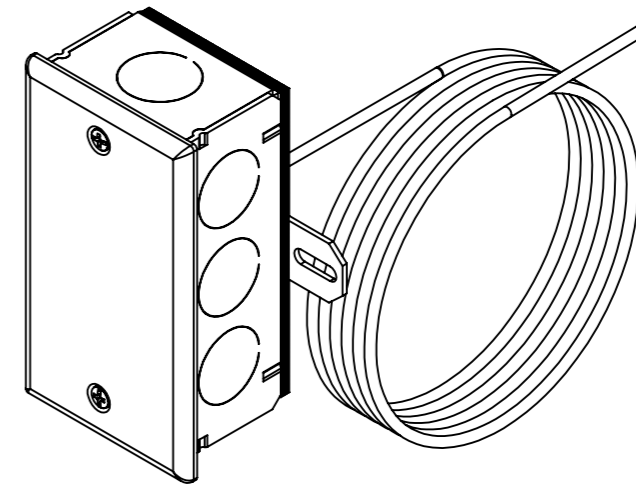


**Table A**

Standard Copper Averaging Lengths	REF A (Insertion Length)
8'	8.0' ± 5.0"
12'	12.0' ± 5.0"
24'	24.0' ± 5.0"



1/2" Conduit Knockout (10x)



UNLESS OTHERWISE SPECIFIED: DIMENSIONS ARE IN MILLIMETERS SURFACE FINISH: TOLERANCES: LINEAR: ANGULAR:				FINISH:		DEBURR AND BREAK SHARP EDGES		DO NOT SCALE DRAWING		REVISION 3	
DRAWN Benton				SIGNATURE		DATE 7/6/2018		TITLE: Copper Averaging w/ Galvanized J-Box			
CHK'D				MFG		Q.A		MATERIAL:		DWG NO. M0000058	
APPV'D				WEIGHT:		SCALE:1:2		SHEET 1 OF 1			
A3											