

# 4MP TiOC Network Eyeball Camera

Active Alarm and Dual Illuminators with Analytics+



## Wiz Sense



WizSense Series devices combine Dahua's powerful Analytics+ with an intuitive and easy to use interface. WizSense devices offer Smart Motion Detection and Perimeter Protection functions that focus on human and vehicular images and ignore irrelevant images to capture important video while reducing false alarms. WizSense Series devices provide powerful general security for small to medium size businesses at a sensible price.

### System Overview

The Dahua Three-in-One Camera (TiOC) offers multiple features working in tandem to assist with deterrence and low-light detection while delivering high-resolution video images. The camera also features Perimeter Protection and Smart Motion Detection that offer accurate analytics. The camera is ideal for a host of diverse applications — Starlight+, True Wide Dynamic Range, and Smart Dual illuminators allow the camera to operate in any lighting condition and the IP67 rating makes the camera suitable for the harshest environments.

### Functions

#### Active Alarm

The camera features active deterrence functionality to respond automatically to a triggered alarm. The configurable automatic responses include activation of red and blue lights and the broadcast of a built-in message or siren to stop an incident before it happens.

#### Smart Dual Illuminators

The camera offers both IR and white-light illuminators and intelligently employs each depending on the situation. Typically, the camera enters the IR mode as ambient light decreases. When the camera detects a person entering the monitoring area, it activates the white-light illuminator to capture full-color details. Once the person leaves the area, the camera switches back to IR illumination.

#### Enhanced Starlight Technology

For challenging low-light applications, Dahua's Starlight Ultra-low light Technology offers best-in-class light sensitivity, capturing details in low light applications. The camera uses a set of optical features to balance light throughout the scene, resulting in clear images in dark environments.

- 1/2.7-in. 4MP Progressive-scan CMOS Sensor
- Triple-stream Encoding
- AI Coding, Smart H.265+, and Smart H.264+ Video Compression
- 4MP (2688 x 1520) at 30 fps, 2.8 mm Fixed Lens
- Analytics+ Functions — Perimeter Protection, Smart Motion Detection+
- Two (2) Built-in Microphones and a Built-in Speaker
- Voice Catcher Technology Captures Clear Audio at a Distance
- Dual Smart Illumination — IR and White Light
- Active Alarm with Red/Blue Lights and Siren or Voice Prompt
- Enhanced Starlight Technology for Low-light Applications
- ArcticPro Series Camera — Operational down to  $-40^{\circ}\text{C}$  ( $-40^{\circ}\text{F}$ )
- IP67 Ingress Protection
- Five-year Warranty\*

#### Smart Motion Detection+

Smart Motion Detection+, a component of Dahua's Analytics+ technology, improves alarm accuracy and decreases the number of false alarms. The advanced SMD algorithm analyzes a scene for human or vehicle motion, while filtering out other motion due to trees, leaves, animals, weather, and triggers an alarm when detected. SMD also saves time when searching recorded video by filtering false alarms and allowing quick retrieval of an alarm due to a person or vehicle.

#### Perimeter Protection

Dahua Analytics+ includes Tripwire and Intrusion functions that offer custom tripwires based on object type for automation in limited access areas. Perimeter Protection requires less pixels to detect an object to deliver improved accuracy and decreased false alarms due to lights, weather, trees, or animals.

#### ArcticPro

The Dahua ArcticPro Series of extreme-environment cameras combine temperature-tolerant components, a waterproof enclosure, and an integrated heater to ensure flawless operation in temperatures as low as  $-40^{\circ}\text{C}$  ( $-40^{\circ}\text{F}$ ). For applications that demand high-resolution video with advanced features in extremely cold environments, the Dahua ArcticPro Series offers a camera to satisfy the most demanding requirements.

#### Cybersecurity

Dahua network cameras are equipped with a series of key cybersecurity technologies including: security authentication and authorization, access control, trusted protection, encrypted transmission, and encrypted storage. These technologies improve the camera's ability to prevent malicious access and to protect data.

#### Environmental

Subjected to rigorous dust and water immersion tests the camera is suitable for the most demanding outdoor applications. The camera carries an IP67 rating that ensures protection from total dust ingress and protection from water immersion between 15 centimeters and 1 meter in depth.

## Technical Specification

### Camera

Image Sensor	1/2.7-in. 4MP CMOS
Effective Pixels	2688(H) x 1520(V)
RAM/ROM	128 MB / 512 MB
Scanning System	Progressive
Electronic Shutter Speed	Auto, Manual, 1/3 s to 1/100,000 s
Minimum Illumination	Color: 0.003 lux at F1.0 (30 IRE) B/W: 0.0003 lux at F1.0 (30 IRE) 0 lux at F1.0 (with illuminators on)
S/N Ratio	Greater than 56 dB
Illumination Distance	IR: 30.0 m (98.43 ft) White Light: 30.0 m (98.43 ft)
IR On/Off Control	Auto, Manual
Illuminators	IR: One (1) LED White Light: One (1) LED

### Lens

Lens Type	Fixed-focal				
Mount Type	M12				
Focal Length	2.8 mm				
Max. Aperture	F1.0				
Angle of View	Horizontal: 101° Vertical: 53° Diagonal: 120°				
Iris Type	Fixed				
Close Focus Distance	1.50 m (4.92 ft)				
DORI Distance <sup>1</sup>	Lens	Detect (8 ppf)	Observe (19 ppf)	Recognize (38 ppf)	Identify (76 ppf)
	2.8 mm	66.0 m (216.54 ft)	26.40 m (86.61 ft)	13.20 m (43.31 ft)	6.60 m (21.65 ft)

### Installation Angle

Range	Pan: 0° to 360° Tilt: 0° to 78° Rotation: 0° to 360°
-------	--

### Video

Compression	AI Coding, Smart H.265+, H.265, Smart H.264+, H.264, H.264B, H.264H, MJPEG (sub stream only)
Streaming Capability	Three (3) Streams
Resolution	4MP (2688 x 1520), 2560 x 1440, 3MP (2304 x 1296), 1080p (1920 x 1080), 720p (1280 x 720), D1 (704 x 480), CIF (352 x 240)
Frame Rate	Main Stream: 4MP (2688 x 1520) at 30 fps
	Sub Stream 1: D1 (704 x 480) at 30 fps
	Sub Stream 2: 1920 x 1080 at 30 fps
Bit Rate Control	CBR/VBR
Bit Rate	H.264: 3 kbps to 20480 kbps H.265: 3 kbps to 20480 kbps
Day/Night	Auto (ICR), Color, B/W
BLC Mode	BLC, HLC, True WDR (120 dB), SSA

White Balance	Auto, Natural, Street Lamp, Outdoor, Manual, Regional Custom
Gain Control	Auto, Manual, Gain Priority, Shutter Priority
Noise Reduction	3D DNR
Motion Detection	Off, On (4 Zones, Rectangular)
Advanced Features	Smart IR, Defog
Flip	0°, 90°, 180°, 270°
Mirror	Off, On
Privacy Masking	Off, On (8 Areas)

### Audio

Input	Two (2) Built-in Microphones
Output	One (1) Built-in Speaker
Compression	PCM, G.711A, G.711Mu, G.726, G.723

### Network

Ethernet	RJ-45 (10/100 Base-T)
Protocol	HTTP, HTTPS, TCP, ARP, RTSP, RTP, UDP, SMTP, FTP, DHCP, DNS, DDNS, PPPOE, IPv4/v6, QoS, UPnP, NTP, ICMP, IGMP, 802.1x
Interoperability	ONVIF Profile S, G, T; CGI, P2P
Streaming Method	Unicast / Multicast
Maximum User Access	20 Users (Total Bandwidth: 72 Mbps)
Edge Storage	Network Attached Storage (NAS) SFTP, FTP Micro SD Slot, maximum 256 GB
Web Viewer	IE (Versions 8, 9, and 11) Chrome, Firefox
Management Software	DSS, DMSS
Mobile Operating System	IOS, Android
Cybersecurity	Video Encryption, Firmware Encryption, Configuration Encryption, Digest, WSSE, Account Lockout, Security Logs, IP/MAC Filtering, Generating and Importing X.509 Certification, Syslog, HTTPS, 802.1x, Trusted Boot, Trusted Execution, Trusted Upgrade

### Certifications

Safety	UL62368-1 CAN/CSA C22.2 No. 62368-1-14 EN62368-1
Electromagnetic Compatibility (EMC)	CFR 47 FCC Part 15 Subpart B Electromagnetic Compatibility Directive 2014/30/EU

### Interface

Audio	Input	One (1) Channel (RCA), plus two (2) built-in microphones
	Output	One (1) Channel (RCA) plus one (1) built-in speaker
Alarm	Input	One (1) Channel (5 mA, 3 VDC to 5 VDC)
	Output	One (1) Channel (300 mA, 12 VDC)

### Electrical

Power Supply	12 VDC or PoE (IEEE 802.3af, Class 0)	
Power Consumption	Basic	12 VDC: 1.75 W PoE: 3.6 W
	Maximum	12 VDC: 6.4 W PoE: 8.6 W

1. The DORI distance is a measure of the general proximity for a specific classification to help pinpoint the right camera for your needs. The DORI distance is calculated based on sensor specifications and lab test results according to EN 62676-4, the standard that defines the criteria for the Detect, Observe, Recognize and Identify classifications.

Environmental

Operating Conditions	-40° C to +60° C (-40° F to +140° F), Less than 95% RH
Storage Conditions	-40° C to +60° C (-40° F to +140° F), Less than 95% RH
Ingress Protection	IP67

Construction

Casing	Metal and Plastic
Dimensions	ø110.90 mm x 122.0 mm (4.37 in. x 4.80 in.)
Net Weight	0.745 kg (1.64 lb)
Gross Weight	0.915 kg (2.02 lb)

Analytics+ Functions

Perimeter Protection with Active Alarm	<ul style="list-style-type: none"> <li>Detects human or vehicle violations using the following methods:                             <ul style="list-style-type: none"> <li><b>Tripwire:</b> a target crosses a defined line.</li> <li><b>Intrusion:</b> a target enters or exits a defined perimeter.</li> </ul> </li> <li>Monitors a combination of detection methods.</li> <li>Search and retrieve video based on target type.</li> <li>Configurable automatic response when an alarm is triggered:                             <ul style="list-style-type: none"> <li><b>Red/Blue Light</b> illuminator activation.</li> <li><b>Siren</b> activation. Includes 11 built-in siren sounds plus ability to record custom recordings.</li> </ul> </li> </ul>	
Smart Motion Detection+	<ul style="list-style-type: none"> <li>Differentiates between and classifies human and vehicle objects.</li> <li>Filters false alarms due to leaves, lights, animals, and other inconsequential objects.</li> <li>Extracts human or vehicle objects from recorded video for quick target search and retrieval.</li> </ul>	
Recommended Detection Distance	Human	Up to 10.0 m (32.81 ft)
	Vehicle	Up to 15.0 m (49.21 ft)

Intelligent Video System Functions

IVS triggers an alarm and takes a defined action for the following events:

Standard Features	<ul style="list-style-type: none"> <li>Tampering with the camera.</li> <li>Error writing to an onboard Micro SD card.</li> <li>Error sending or receiving data over the network.</li> <li>Unauthorized access to the camera.</li> <li>IP Address Conflict</li> </ul>
Premium Features	
Motion Detection	An object is moving in a designated area.
Scene Change	A person or object moves the camera to change the scene or covers the camera to obscure the scene.

Ordering Information

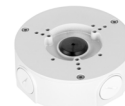
Type	Part Number	Description
TiOC Camera	N43BU82	4MP 2.8 mm Eyeball Camera with Analytics +, Active Alarm, Smart Illumination
Mounting Accessories, optional	PFA106	Mount Adapter
	PFA137	Junction Box
	PFA130-E	Junction Box
	PFA150	Pole Mount (use with PFB305W wall mount)
	PFA151	Corner Mount (use with PFB305W wall mount)
	PFA152-E	Pole Mount (use with DH-PFB205W wall mount)
	DH-PFB205W	Wall Mount
	PFB220C	Ceiling Mount (use with PFA106 mount adapter)
	PFB305W	Wall Mount (use with PFA106 mount adapter)
	DH-PFM321D-US	12 VDC, 1 A Power Adapter

Accessories

Optional:



PFA106 Mount Adapter



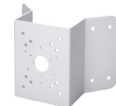
PFA130-E Junction Box



PFA137 Junction Box



PFA150 Pole Mount



PFA151 Corner Mount



PFA152-E Pole Mount



DH-PFB205W Wall Mount



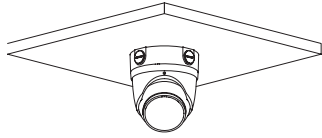
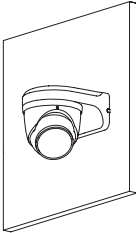
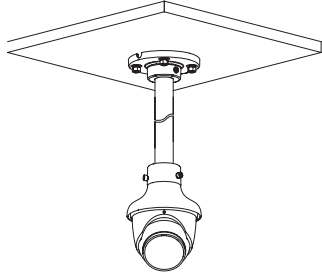
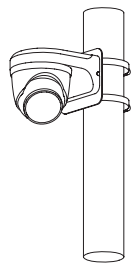
PFB220C Ceiling Mount



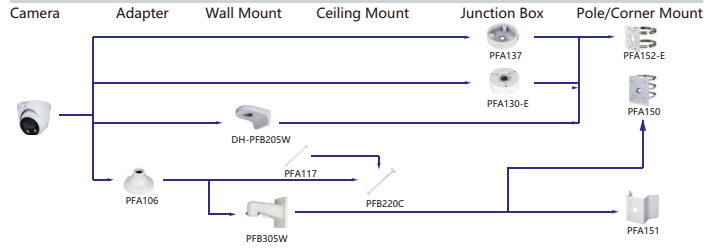
PFB305W Wall Mount



DH-PFM321D-US Power Adapter

Junction Mount	Wall Mount
PFA137	DH-PFB205W
	
Ceiling Mount	Pole Mount
PFA106 + PFB220C	DH-PFB205W + PFA152-E
	

### Mounting Diagram



### Dimensions

