

3Gbit 1>8 SDI/ASI Distribution Amplifier

Description

The DVD 5810 is a low cost fixed 1>8 utility distribution amplifier which can be used in a reclocking or non-reclocking mode. This module is ideally suited for demanding digital multi-format broadcast and professional applications.

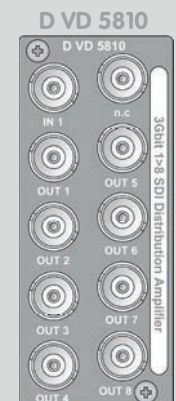
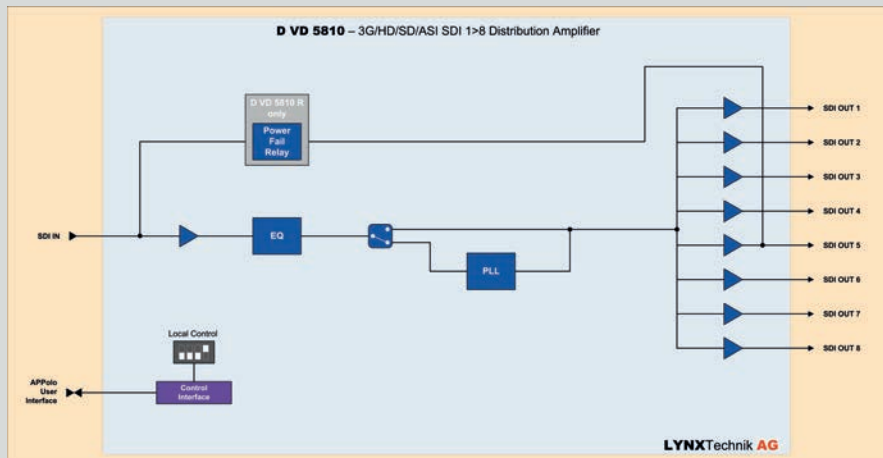
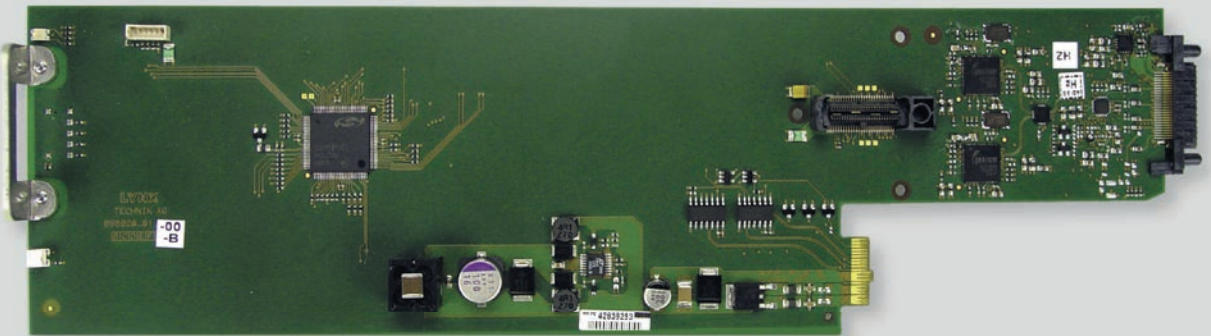
The module auto-detects the input video standard with support for all SDI video formats up to 3Gbit/s. In non re-clocked mode the module will transparently pass any data between 15Mbit/s and 3Gbit/s. Support for ASI/DVB and SMPTE 310 signals is also provided.

Local settings are provided via an integrated dip switch on the card edge. The optional mechanical relay will connect the input to one of the outputs in the event of a power failure.

Remote control, status monitoring and error reporting is possible when using the LYNX control system.

Features

- Supports all SDI video formats
- Supports ASI/DVB and SMPTE 310 streams
- Fixed 1>8 configuration
- Reclocking or non-reclocking mode (selectable).
- Auto-detect input video standard.
- Transparently pass data between 15Mbit/s and 3Gbit/s in non re-clocked mode.
- Microprocessor controlled with internal flash ram for storing configuration
- Input presence detection with LED indication
- Optional power fail relay connecting input to output
- Remote control, status monitoring and error reporting when used with LYNX control system
- Full SNMP support when used with master controller option
- Hot Swappable



Backplane

3Gbit 1>8 SDI/ASI Distribution Amplifier

Specifications

Video Inputs

Signal Type	Serial Digital Video SMPTE 259M, 292M, 424M DVB-ASI and SMPTE 310
Video Standard	All formats (270Mbit/s through 2.97Gbit/s)
Input level	0.8 v peak to peak
Input Impedance	75 Ohms
No. Of inputs	1
Connector	BNC
Return loss	> 15dB (1.485Gbit) > 10dB (2.97Gbit)

Video Outputs

Signal Type	Serial Digital Video SMPTE 259M, 292M, 424M DVB-ASI and SMPTE 310
Video standard	Follows input
Output level	0.8 v peak to peak
Output impedance	75 Ohm
No. Of Outputs	8
Connector	BNC
Return loss	> 15dB (1.485Gbit) > 10dB (2.97Gbit)
Jitter	< 0.20 UI (270Mbit) < 1.0 UI - Timing Jitter - (1.485Gbit - 2.97Gbit) < 0.20 UI - Alignment Jitter - (1.485Gbit - 2.97Gbit)

Performance

Cable equalization	Up to 250M using Belden 8281 (270Mbit) Up to 140m using Belden 1694A (1.485Gbit) Up to 80m using Belden 1694A (2.97Gbit)
Control	Local settings using on board dip switches. Remote control possible when used with LYNX controller
Status monitoring (LED)	Signal presence plus general alarm

Operation modes

Single channel	Fixed 1>8 operation
Re-clocking	Clocked or non re-clocked operation (selectable)

Electrical Specifications

Operating Voltage	12 VDC
Power Consumption	< 4W
Safety	IEC 60950/ EN 60950/ VDE 0805

Mechanical

Size	283mm x 78mm
Weight	CardModule 120g, connector plate 50g

Ambient

Temperature	5 C to 40 C Maintaining specifications
Humidity	90% Max non condensing

Specifications subject to change

Settings and Control

Local Settings

Re-clocking	clocked / non re-clocked
-------------	--------------------------

Settings Available from Control System

Local controls duplicated. No additional parameters provided via the control system

On Board Indicators / LEDs

Signal Present / No Input
General Alarm Indicator – 3 Color

Options

OH DVD RL2 - Bypass Relay

Optional mechanical relay which will connect SDI IN to SDI OUT 5 in the event of a power failure.

Ordering Information

Model #	Part Number	Description	Includes
D VD 5810	5155205820	3Gbit 1>8 SDI Distribution Amplifier	CardModule, Rear termination Panel, + Mounting Screws, and Reference Manual
OH DVD RL 2	5155105800	Bypass Relay	Rear termination panel with integrated mechanical relay.