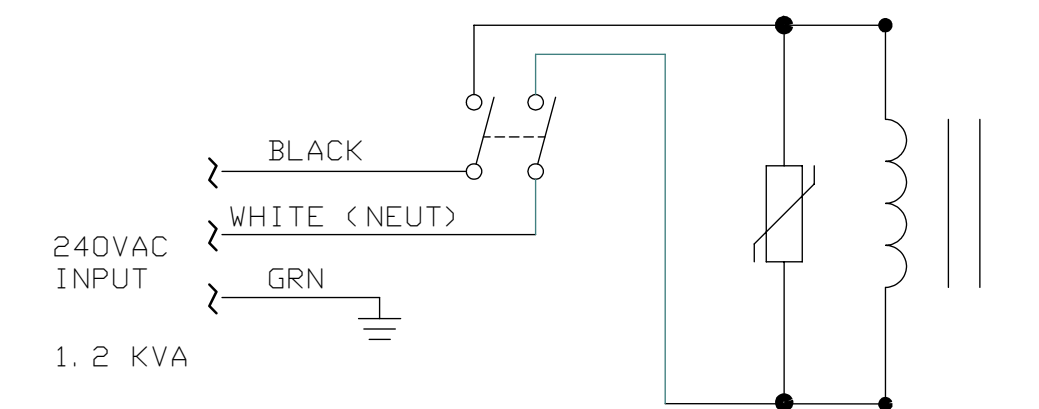
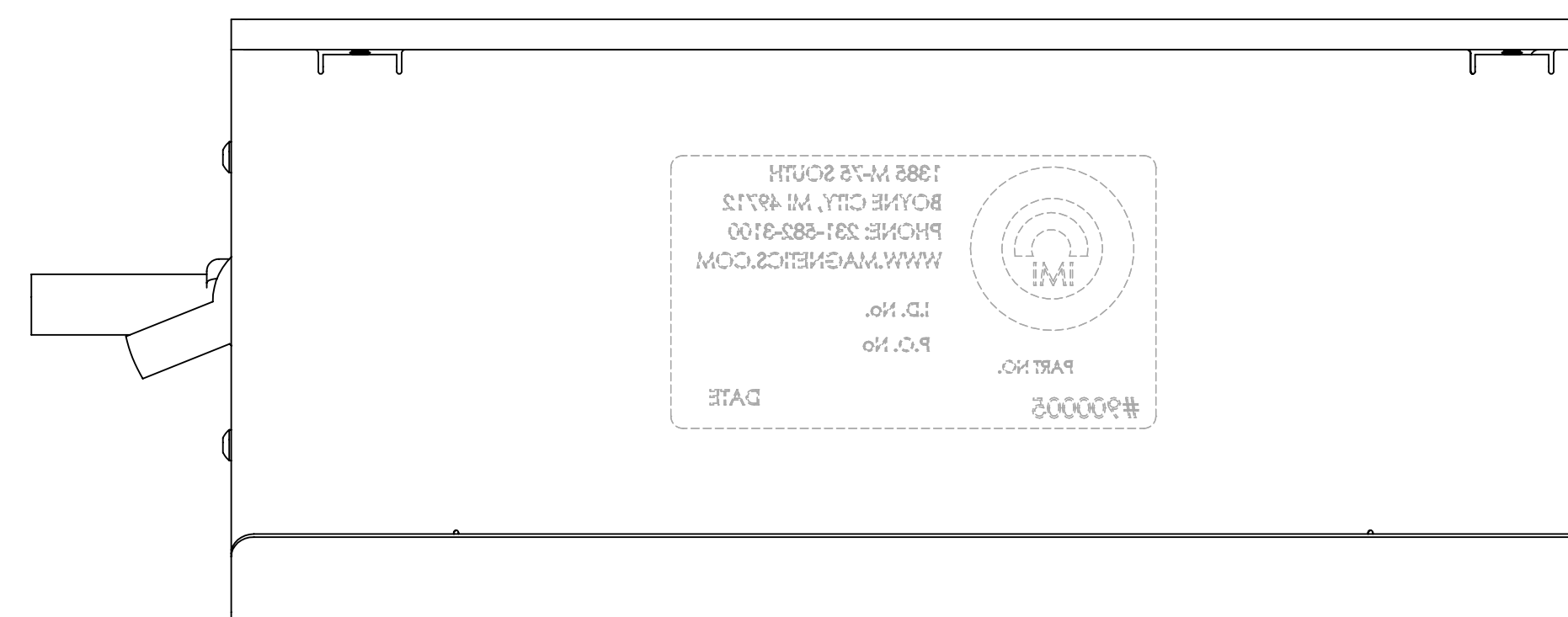
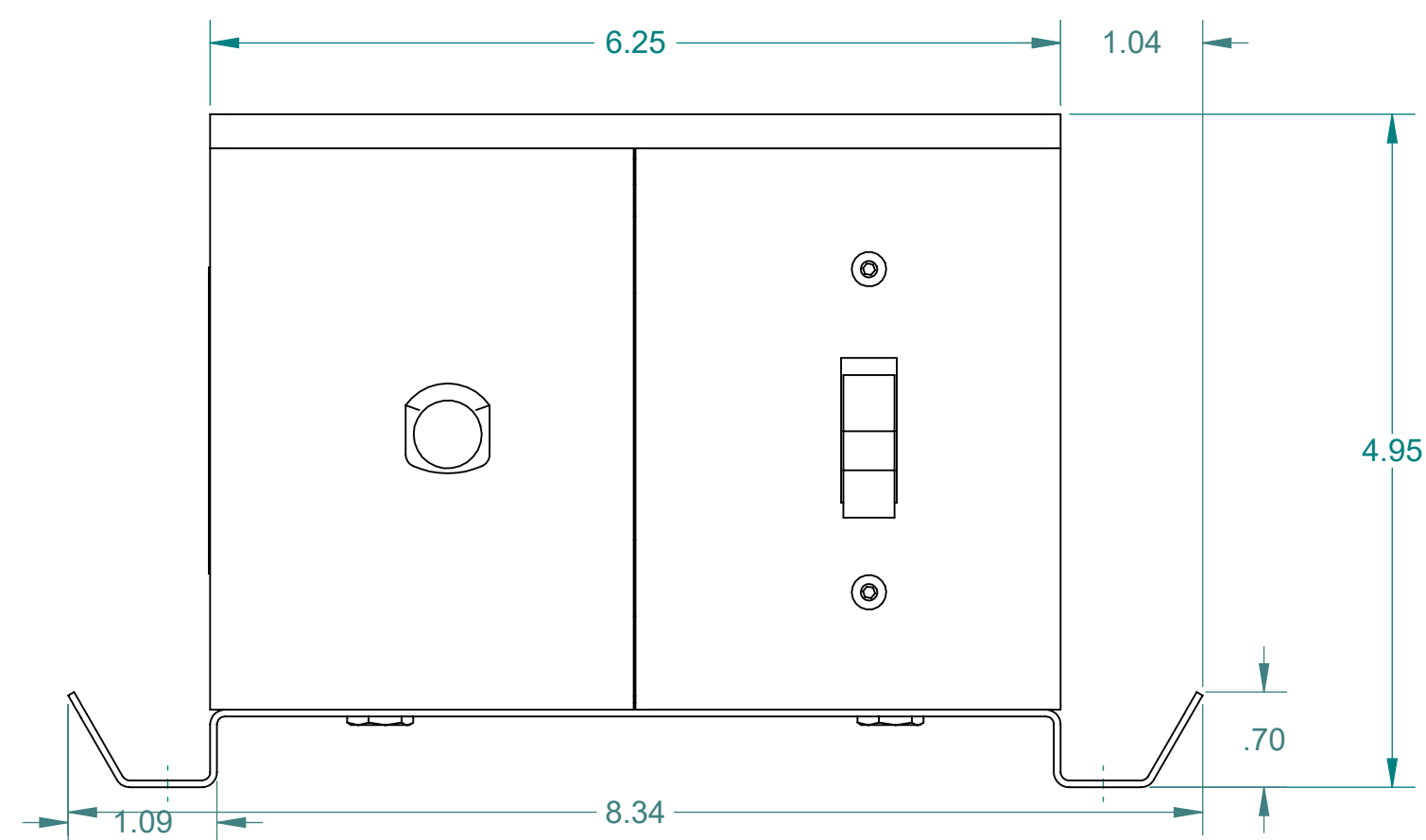


POWER CORD - 6 FT.
16/3 SJOW-A/SJO



SCHEMATIC 240VAC



ALL DIMENSIONS ARE IN INCHES EXCEPT AS NOTED.		SHEET 1 OF 1	
<small>This drawing and all of the elements thereof, including the design and principles of construction disclosed, is the sole and exclusive property of Industrial Magnetics, Inc. and is being submitted by Industrial Magnetics, Inc. for the limited purpose of assisting the designated recipient to evaluate the services of Industrial Magnetics, Inc. This drawing may not be used for any other purpose, nor may it be copied, reproduced, loaned, transferred, or communicated to any other person, either verbally or in writing, without the written consent of Industrial Magnetics, Inc.</small>			
TOLERANCES EXCEPT AS NOTED DECIMAL .00" = ±.030" ANGULAR ±1° .000" = ±.015"		RELEASE DATE 5/9/2017 DRAWN BY JOE S RELEASED BY C.BRZEZINSKI	R & D SCALE FULL DATE 8-13-84 PART NO. DSC424-240 DRAWING NO. 21961
DESCRIPTION 240 VAC DEMAGNETIZER ASSEMBLY 424, 1.2KVA		INDUSTRIAL MAGNETICS, INC. 01385 M-75 SOUTH BOYNE CITY, MICHIGAN 49712-9689 (231) 582-3100	