

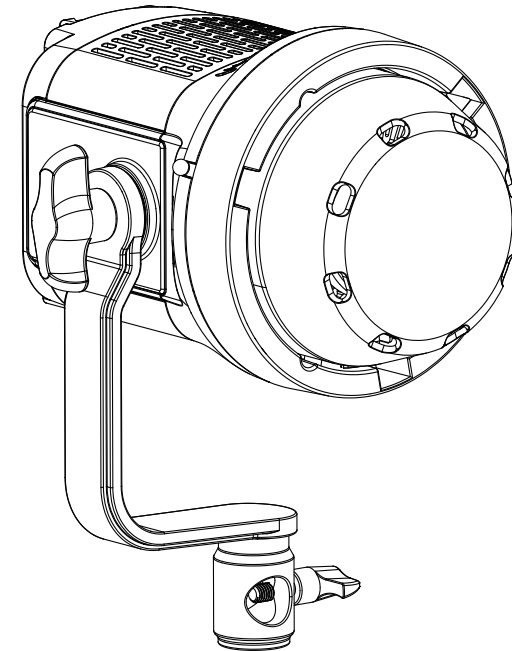
## ● Warning and Notes

1. Please do not expose the device to excess heat or moisture. Store in a cool, dry place.
2. Please do not let the device be exposed to rain or other liquids to avoid permanent damage.
3. Please do not connect the fixture to excess or incorrect voltage.
4. The body will generate heat when operating. Use caution when handling.
5. During transportation and installation, do not hit the fixture against other items or drop the fixture. This can cause damage to the light.
6. Please do not directly look at the LED light when the fixture is powered on.
7. Please do not place the fixture near any flammable materials or solvents.
8. Please use a dry, soft cloth to clean fixture. The fixture may be cleaned with damp cloth only when the unit is powered off and unplugged. Dry the fixture with a soft cloth before plugging back in.
9. Keep the fixture out of reach of children.
10. Please do not operate the fixture over-current. Permanent damage can occur.
11. Do not disassemble the fixture or touch the product's internal parts. This could result in injury and permanent damage to the fixture. In the event of a malfunction, the fixture should be repaired by a qualified technician.
12. Unplug the fixture when not in use.
13. Failure to comply with these warning can result in injury and / or cause permanent damage to the fixture.

# DRACAST

## Instruction Manual

### DRBR1200B



## ● Product Information

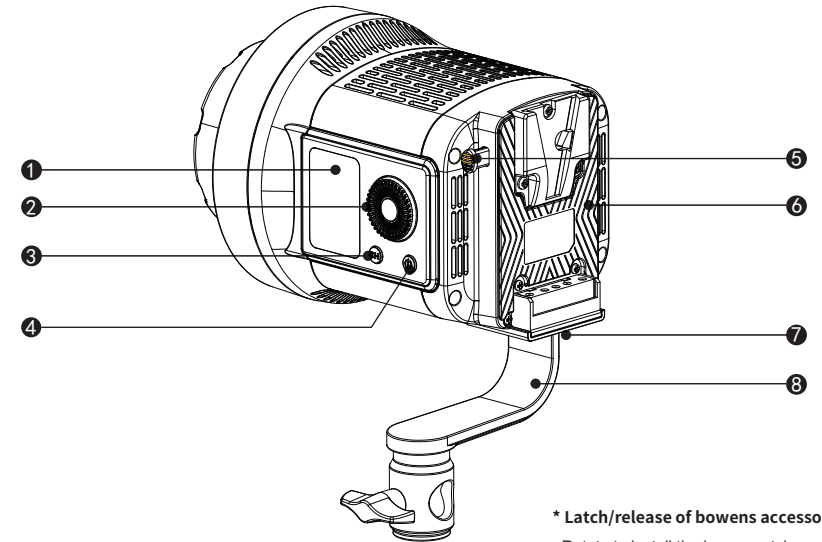
Dracast Boltray Series is a high-output, compact light fixture that combines accurate color rendition with portable design. The result is a light fixture that is perfectly suited for photo and filmmaking applications. The 5000 model is equipped with a 120W LED COB array with adjustable color temperature from 3000K - 6000K

The Dracast Boltray Series is constructed with an aluminum alloy frame, making the fixture both durable and lightweight. The fixture is programmed with special effects that include Paparazzi, Fireworks, Bad Bulb, and Thunder Flash, TV, and SOS providing the user with multiple creative applications. The fixture can be powered via AC mains power, or via DC battery power through its on-board v-mount battery plates. The fixture is equipped with overheating protection via on-board fans for prolonged use. Boltray fixtures are equipped with a built-in 2.4G wireless receiver enabling it to be controlled via remote

## ● Specifications

Model	DRBRP12000B
Output Power	120W
Luminous Flux	9600LM
LED Quantity	1PC
Color Temperature	3000-6500K ± 200K
Illuminant	High-Power LED Module
Adjusting Range	10%-100%
Lithium Battery Type	Sony V-lock battery Output Power > 120 W
Remote Control	99channel 2.4G wireless remote control
Remote Control distance	≥30M
Voltage	AC100-240V 50/60Hz

## ● Boltray Figure and Components



**\* Latch/release of bowens accessory**  
 Rotate to install the bowens style mounting accessory until it is locked in place.  
 Rotate to release the accessory until it is removed.

### ① LED display

### ② Adjustment knob

Long press the knob for 3 seconds to switch between continuous lighting and special effects lighting.

In continuous lighting mode, dial the knob to change the dimmer 10%-100%.

In special effects mode, shortly press the knob to change light intensity, effect mode (dial knob to change F1-F6) and effect frequency (dial knob to change 1-9).

01- Paparazzi 02- Firework 03- Bad bulbs 04- Thunder flash 05- TV 06- SOS

Short press the knob to switch between dimmer control and color temperature adjustment. Then dial the knob to change light intensity or color temperature.

### ③ Channel button

Short press the CH button and turn the knob to change the channels from 01-99.

### ④ Power switch

Hold the power button for four seconds to switch on / off the power.

### ⑤ Battery release button

Press and hold the PUSH button, push the battery upwards to remove the battery from the light.

### ⑥ Battery slot

### ⑦ Power socket

### ⑧ Yoke