

# Web Access Controller



- Built-in Web Server
- Supports configuration as main controller (central access control management functions) or up to 19 sub-controllers (readers, alarms, and lock management)
- Supports TCP, IP, and PoE+
- Interface with card readers through Wiegand and RS-485 protocols
- System and devices can be configured and updated through the webpage
- Supports 1,000 users, 3,000 fingerprints, 5,000 cards and 300,000 records capacity
- Supports configuring the hardware I/O port and exporting configuration diagrams
- Retains stored data even while powered off
- Supplies power to the lock through its 12 VDC 1000mA output power supply
- Connects to SmartPSS Lite, DSS Pro, and DMSS

## System Overview

The DHI-ASC3202B provides a single-interface access control solution that is accessible anywhere there is an internet connection. The controller has two modes: the main mode and the sub mode. The main mode allows the controller to serve as central management for all access control devices in a building or area. The sub mode allows additional controllers to be pooled into the main controller device list and networks card readers together. Each controller controls up to two (2) doors but can be scalable up to 40 doors. The controller can be powered via PoE+ (IEEE802.3at), added to DMSS for remote door control, and ONVIF compliant to allow for third-party reader management.

## Technical Specification

### System

Main Processor	Embedded Processor
Internet Protocol	IPv4, DNS, DDNS, TCP, UDP
SDK and API	Yes
Interoperability	CGI
Update Over Network	Supported

### Input/Output Ports

RS-485	Two (2) Ports
Wiegand	Two (2) Ports
Network	One (1) 10/100 Mbps Ethernet Port
Alarms	One (1) Alarm
Alarm Output	2 (digital quantity)
Alarm Linkage	Yes
Exit Button	Two (2) Buttons
Door Status Detection	Two (2) Ports
Lock Control	Two (2) Ports
Peripheral Card Reader	Two (2) RS-485 card readers Two (2) Wiegand card readers

## Capacity

User	1,000
Fingerprint	3,000
Card	5,000
Record Capacity	300,000

## Functions

Unlock Mode	Card, Password, Fingerprint, Remote, Combination of Methods
Alarms	Tamper, Duress, Door Sensor Timeout, Intrusion, Illegal Card, Exceeding Threshold, Duress Fingerprint
Access Control <small>(Only supported by DSS Pro/SmartPSS Lite)</small>	First Card Unlock, Remote Verification, Block List/Allow List, Real-time Surveillance, Multiple Authentication, Web Configuration; Anti-pass; Multi-card Unlock
User Management	General, VIP, Patrol, Guest, Block List, Duress, Other
Web Viewer	IE, Chrome, Firefox
Management Software	SmartPSS Lite, DSS Pro, DMSS
Mobile Operating System	iOS, Android
Schedule Settings	Period: 128 Groups Holiday: 128 Groups
Holiday Door Schedule	Yes (Used on Web GUI or with SmartPSS Lite)
Network Update	Yes
Device-only Functions <small>(Cannot be used with DSS Pro/SmartPSS Lite)</small>	Fire Alarm; HID 26 Bit Card; HID Facility Site Code; Import/Export Card Number in Bulk; Restricted List/Trusted List

Electrical/Environmental

Power Supply	Power Supply 12 VDC, 2.5 A or PoE (802.3at)	
Protection	IK06	
Power Consumption	Standby	≤2 W with No Peripheral Devices
	DC	1700 mA at 12 V for Peripheral Devices (Locks, Readers etc.)
	PoE	1200 mA at 12 V for Peripheral Devices (Locks, Readers etc.)
Operating Temperature	-10 °C to 55 °C (14 °F to 131 °F)	
Operating Humidity	5% to 95% RH (Non-condensing)	
Operating Environment	Indoor	

Construction

Product Type	Controller
Product Dimensions (H x W x D)	186.4 mm x 185.8 mm x 58.3 mm (7.34 in. x 7.31 in. x 2.30 in.)
Packaging Dimensions (H x W x D)	254 mm x 243 mm x 86 mm (10.00 in. x 9.57 in. x 3.39 in.)
Gross Weight	0.99 kg (2.18 lb)
Installation	Surface/Guide Rail Mount
Buzzer Casing	PC+ABS

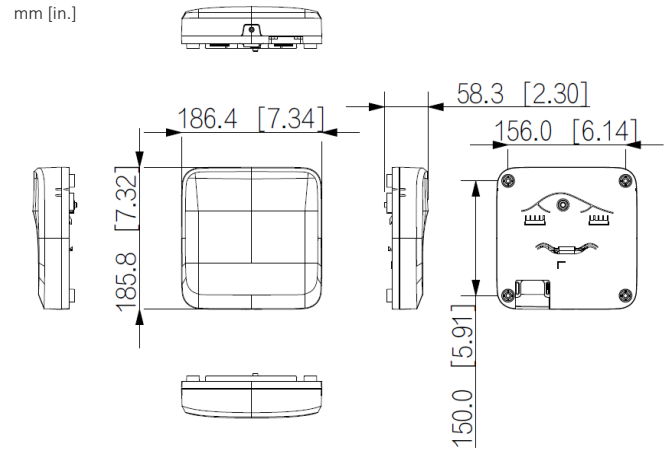
Certifications

Electromagnetic Compatibility (EMC)	EN 55032:2015/A11:2020 EN 55035:2017/A11:2020 EN IEC 61000-3-2:2019 EN61000-3-3:3013/A1:2019 EN50130-4:2011+A1:2014 EN 55024:2010+A1:2015
Federal Communications Commission (FCC)	FCC Part 15, Subpart B; ANSI C63.4-2014
UL	UL 62368-1 CAN/CSA C22.2 No. 62368-1-14

Ordering Information

Type	Model	Description
Access Controller	DHI-ASC3202B	Dahua Two-door Access Controller B (portable, indoor)

Dimensions



Application

