

5MP Wired Video Doorbell with Wireless Chime 2



System Overview

The DH-DS21 Wireless Chime is an indoor standalone doorbell that rings when your outdoor video doorbell is pressed. The DH-DS21 can be paired with Dahua's LincX2PRO DHI-DB11 or DH-DB6I doorbells. With the DMSS application, you can customize your chimes, making your security system not only functional but also personalized. For added convenience, the DH-DS21 Wireless Chime can be linked to multiple video doorbells at the same time, ensuring you never miss a visitor no matter where you are in your home.

The 5MP WiFi Video Doorbell is a component of the Dahua LincX2PRO residential series. The doorbell offers specialized motion detection that distinguishes humans from other objects, and transmits video and audio to a mobile device for remote visual confirmation and communication with visitors. This device is compatible with Dahua NVRs; Dahua X5, X7, and X82 Series HDCVI DVRs, and with the DMSS application.

Technical Specification

DH-DB6I-USA 5MP WiFi Video Doorbell

Camera

Image Sensor	1/2.7-in. 5MP CMOS
Effective Pixels	2560 x 1920
RAM/ROM	256 MB / 128 MB
Electronic Shutter Speed	Auto/Manual 1/3 s to 1/100,000 s
Scanning System	Progressive
IR Distance	5.0 m (16.50 ft)
IR Control	Automatic
IR Illuminator	Two (2) LEDs
White-light Illuminator	Built-in, programmable
Built-in Battery	200 mAh Lithium Battery

Lens

Lens Type	Fixed-focal	
Lens Mount	M8	
Focal Length	2.2 mm	
Maximum Aperture	F2.0	
Angle of View	Horizontal	124°
	Vertical	92°
	Diagonal	164°
Iris Control	Fixed	

WiFi Video Doorbell

- 1/2.7-in. 5 MP Progressive-scan CMOS Sensor
- Dual-band WiFi, IEEE802.11a/b/g/n/ac, 2.4 GHz and 5 GHz options
- Motion Detection with Human Detection

Wireless Chime 2

- Built-in Speaker
- 11 Ringtone Options
- Snooze Alert: Set times to silence chime alerts

DORI ¹ Distance	Detect (8 ppf)	Observe (19 ppf)	Recognize (38 ppf)	Identify (76 ppf)
	44.0 m (144.36 ft)	17.6 m (57.74 ft)	8.8 m (28.87 ft)	4.40 m (14.44 ft)

Video

Video Compression	H.265, H.264	
Resolution	High	2560 x 1920 at 15 fps
	Medium	1440 x 1080 at 15 fps
	Low	640 x 480 at 15 fps
Streaming Capability	Two (2) Streams	
Frame Rate	Main Stream	2560 x 1920 at 15 fps
	Sub Stream	640 x 480 at 15 fps
Video Bit Rate	H.264: 32 kbps to 8192 kbps H.265: 32 kbps to 8192 kbps	
Day/Night	Auto (ICR), Color, B/W	
WDR	Digital WDR (DWDR)	
Optical Features	White Balance, Smart Illumination	
Noise Reduction	3D NR	
Motion Detection	On, Off	

Audio

Interface	Input	One (1) Built-in Microphone
	Output	One (1) Built-in Speaker
Two-way Talk	Three (3) built-in pre-recorded messages plus three (3) customized recorded messages	
Compression	G.711A, G.711Mu, PCM	
Audio Sampling	8 KHz, 16 KHz, 32 KHz	

WiFi

2.4 GHz IEEE802.11b/g/n	<ul style="list-style-type: none"> • 2400 to 2483.5 MHz RF POWER ≤30 dBm
5 GHz IEEE802.11a/n/ac	<ul style="list-style-type: none"> • 5150 to 5350 MHz, 5470 to 5725 MHz RF POWER ≤24 dBm
	<ul style="list-style-type: none"> • 5725 to 5850 MHz RF POWER ≤30 dBm

Network

Network Protocol	IPv4, IPv6, HTTP, TCP, UDP, ARP, RTP, RTSP, RTCP, DHCP, DNS, DDNS, QoS, NTP, Multicast, ICMP, IGMP
Edge Storage	Micro SD Card Slot, maximum 256 GB
Interoperability	CGI, P2P, SDK, API
Mobile Operating System	iOS, Android
Management Software	DMSS

Compatibility	<ul style="list-style-type: none"> Any Dahua NVR Dahua X5, X7, X82 Series HDCVI DVRs Dahua DMSS Mobile Application
---------------	---

Certifications

Electromagnetic Compatibility (EMC)	47 CFR FCC Part 15, Subpart B; FCC ID: FCC PART 15C; FCC PART 15E
-------------------------------------	---

Electrical

Power Supply ²	12 VDC to 24 VDC or 16 VAC to 24 VAC, 0.8 A USB (5 VDC±5%, 2 A) ²
Power Consumption	5 VDC Basic: 2.3 W Maximum: 3.3 W
	12-24 VDC Basic: 2.9 W Maximum: 4.8 W
	16-24 VAC Basic: 2.9 W Maximum: 4.9 W

Environmental

Operating Temperature	-20° C to +50° C (-4° F to 122° F), Less than 95% RH
Ingress Protection	IP65

Construction

Casing	Plastic
Dimensions (L x W x H)	130.0 mm x 45.0 mm x 22.50 mm (5.12 in. x 1.77 in. x 0.88 in.)
Net Weight	0.11 kg (0.24 lb)
Gross Weight	0.51 kg (1.12 lb)
Installation	Surface-mount

Technical Specification

DH-DS21 WiFi Doorbell Chime 2

Audio

Built-in Speaker	Yes
------------------	-----

Function

Indicator Light	Bi-color Light
-----------------	----------------

Network

Management Software	DMSS
WiFi	Supported
Wireless Standard	IEEE802.11b/g/n
Frequency Range	2.4 GHz
Security Encryption	WPS, WPA-PSK, WPA2-PSK, WPA/WPA2, 64/128 bit WEP
Network Update	Supported

Electrical

Power Supply	100 to 240 VAC 50/60 Hz
Power Consumption	< 5

Environmental

Operating Temperature	-10 °C to +45 °C (14 °F to +113 °F)
Operating Humidity	20%–95% (RH), non-condensing

Construction

Casing Material	Plastic + Cloth
Net Weight	0.1 kg (0.22 lb)
Gross Weight	0.2 kg (0.44 lb)
Product Dimensions (L x W x H)	95 mm x 51 mm x 31 mm (3.74 in. x 2.00 in. x 1.22 in.)
Package Dimensions (L x W x H)	187 mm x 65 mm x 56.5 mm (7.36 in. x 2.56 in. x 2.22 in.)

Certifications

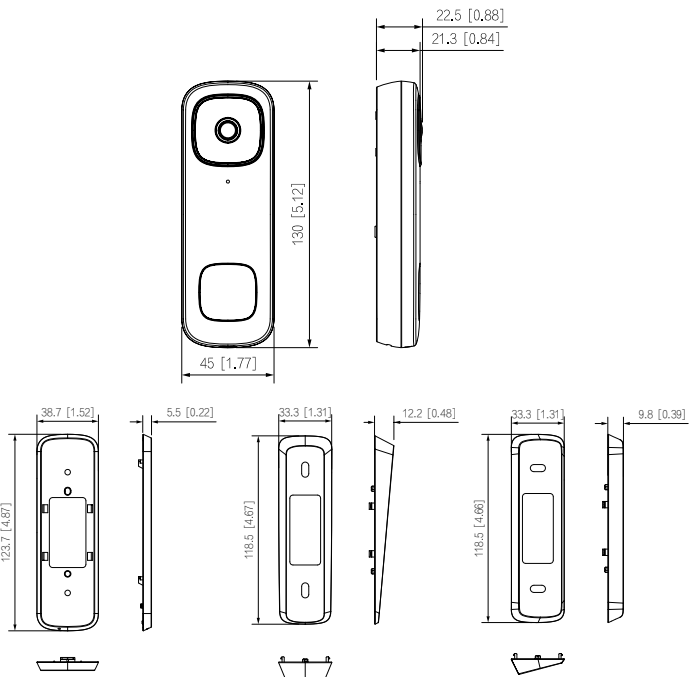
FCC	47 CFR FCC Part 15, Subpart B FCC Part 15C
-----	---

Ordering Information

Type	Part Number	Description
WiFi Video Doorbell Kit	DB6I-DS21	<ul style="list-style-type: none"> 1 x DH-DB61-USA 1 x DH-DS21
Package Contents		<ul style="list-style-type: none"> Quick Start Guide (QSG) Video Doorbell Wireless Chime 2 Power Plug for Wireless Chime 2 Power Kit for Chime (referred to as a Chime Kit in QSG) 32 GB Pre-installed MicroSD Card Wiring Package 15° Horizontal Bracket 5° Vertical Bracket Mounting Kit

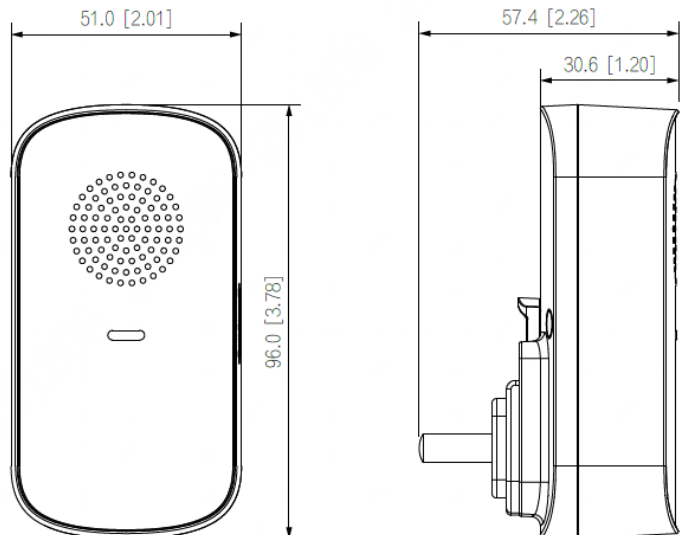
Dimensions - DH-DB61-USA

mm [in.]



Dimensions - DH-DS21

mm [in.]



1. The DORI distance is a measure of the general proximity for a specific classification to help pinpoint the right camera for your needs. The DORI distance is calculated based on sensor specifications and lab test results according to EN 62676-4, the standard that defines the criteria for the Detect, Observe, Recognize and Identify classifications.
 2. Do not supply power to the DH-DB61 via the USB port. Use only the Power Input Ports, as detailed in the Quick Installation Guide, to supply power to the device.