

Crosby®



IMPORTANT

To monitor loads using the COLT please download the Android/iOS COLT App and Manual

Android COLT App



iOS COLT App



COLT App Manual



- Operating instructions
- Mode d'emploi
- Bedienungsanleitung
- Manual de instrucciones
- Istruzioni per l'uso
- Gebruikersinstructies

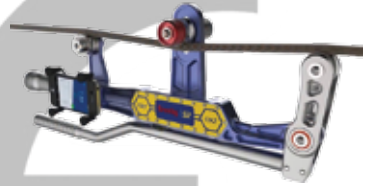
- Руководство по эксплуатации
- οδηγίες χειρισμού
- Brukerinstruksjoner
- Bruksanvisning
- 普通话 操作说明
- العربية تعليمات التشغيل

COLT user manual

Part No:
SU3714
Issue 2.1

EU DECLARATION OF CONFORMITY

Product: Clamp On Line Tensionmeter COLT



Product Description: The Straightpoint COLT is a lightweight wire rope tension meter, for fast and accurate measurement of tensions up to 11,000lb or 5000 kg and up to 1" or 25mm diameter.

Manufactured using an integral, high accuracy, Bluetooth module, the COLT transmits load data wirelessly to any smart device running our free Android or iOS app.

Its main operational application is to be attached to wires/cables that are already under tension. Once in place, it allows the operator to quickly check tension on cables or wire ropes set at any angle.

Marking:

Manufacturer: Straightpoint (UK) Limited,
Unit 9, Dakota Park,
Downley Road,
Havant,
Hampshire,
PO9 2NJ, United Kingdom

This conformity is based upon compliance with the application of harmonized or applicable technical standards and, where applicable or required, a European Union Notified Body certification.

Directives: The described product above, is in conformity with:
EU Machinery Directive 2006/42/EC;
EU Radio Equipment Directive 2014/53/EU (RED Directive);
EU RoHS 2015/863/EU.

Applicable Harmonised EU Machinery Directive 2006/42/EC

Standards: EN ISO 12100:2010 Safety of machinery - General principles for design – Risk assessment and risk reduction.

RED Directive

EN301 489-1 v2.2.3 (2019-11) ElectroMagnetic Compatibility (EMC) standard for radio equipment and services,
Part 1: Common technical requirements;

EN301 489-3 v2.1.2 (2021-03) ElectroMagnetic Compatibility (EMC) standard for radio equipment and services,
Part 3: Specific conditions for Short Range Devices (SRD) operating on frequencies between 9 kHz and 246 GHz;

EN301 489-17 v3.2.4 (2020-09) ElectroMagnetic Compatibility (EMC) standard for radio equipment and services,
Part 17: Specific conditions for Broadband Data Transmission Systems;

BS EN 62368-1:2020+A11:2020 Audio/video, information and communication technology equipment. Safety requirements.

RoHS

EN IEC 63000:2018 Technical documentation for the assessment of electrical and electronic products with respect to the restriction of hazardous substances.

Notified Body: Self-declared

Quality Management: ISO 9001:2015 Quality Management Systems Requirements: BSI Certificate No. FM 584438

Straightpoint (UK) Limited declare that under our sole responsibility for the manufacture and supply of the product detailed above, that it conforms to the essential health and safety requirements of the listed applicable Directives and applicable harmonised technical Standards.

EU Authorised Representative: CROSBY EUROPE
Industriepark Zone B N°26
B-2220 Heist-op-den-Berg
Belgium
Phone: +32 0 15 75 71 25
Email:

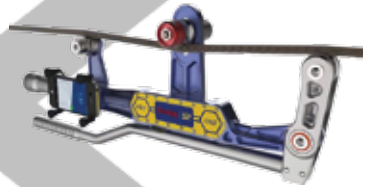
Signed, on behalf of Authorised Representative:



Name: Thomas Dietvorst
Position: General Manager
Date: October 20th 2021

DECLARATION OF CONFORMITY

Product: Clamp On Line Tensionmeter COLT



Product Description: The Straightpoint COLT is a lightweight wire rope tension meter, for fast and accurate measurement of tensions up to 11,000lb or 5000 kg and up to 1" or 25mm diameter.

Manufactured using an integral, high accuracy, Bluetooth module, the COLT transmits load data wirelessly to any smart device running our free Android or iOS app.

Its main operational application is to be attached to wires/cables that are already under tension. Once in place, it allows the operator to quickly check tension on cables or wire ropes set at any angle.

Marking:

Manufacturer: Straightpoint (UK) Limited,
Unit 9, Dakota Park,
Downley Road,
Havant,
Hampshire,
PO9 2NJ, United Kingdom

This conformity is based upon compliance with the application of UK Statutory Instruments (and their amendments) and/or applicable technical standards; and, where applicable, or required, UK Notified Body certification.

UK Regulations: The described product above, is in conformity with:
The Supply of Machinery (Safety) Regulations 2008;
The Radio Equipment Regulations 2017;
The RoHS Regulations 2012.

Applicable Designated Standards: **The Supply of Machinery (Safety) Regulations 2008**
EN ISO 12100:2010 Safety of machinery - General principles for design – Risk assessment and risk reduction.

The Radio Equipment Regulations 2017

EN301 489-1 v2.2.3 (2019-11) ElectroMagnetic Compatibility (EMC) standard for radio equipment and services, Part 1: Common technical requirements.

EN301 489-3 v2.1.2 (2021-03) ElectroMagnetic Compatibility (EMC) standard for radio equipment and services, Part 3: Specific conditions for Short Range Devices (SRD) operating on frequencies between 9 kHz and 246 GHz;

EN301 489-17 v3.2.4 (2020-09) ElectroMagnetic Compatibility (EMC) standard for radio equipment and services, Part 17: Specific conditions for Broadband Data Transmission Systems;

BS EN 62368-1:2020+A11:2020 Audio/video, information and communication technology equipment. Safety requirements.

RoHS

EN IEC 63000:2018 Technical documentation for the assessment of electrical and electronic products with respect to the restriction of hazardous substances.

UK Notified Body: Self-declared.

Quality Management: ISO 9001:2015 Quality Management Systems Requirements: BSI Certificate No. FM 584438

Straightpoint (UK) Limited declare that under our sole responsibility for the manufacture and supply of the product detailed above, that it conforms to the essential health and safety requirements of the listed applicable UK Regulations and applicable designated technical Standards.

Technical Information Available From: Straightpoint (UK) Limited,
Unit 9, Dakota Park,
Downley Road,
Havant,
Hampshire,
PO9 2NJ, United Kingdom

Signed, on behalf of Straightpoint (UK) Limited:

Name: Thomas Dietvorst
Position: General Manager
Date: October 20th 2021

Before use of COLT	01
General description and warnings	02-05
Smart phone mount	06
Fitting batteries	07-08
Using the COLT	09-15
Product aftercare	16-17
Service and calibrations	18
Warranty	19
Safety instructions	20-25

THIS MANUAL WAS WRITTEN IN THE ENGLISH LANGUAGE AND PROFESSIONALLY TRANSLATED TO ALL OTHER LANGUAGES CONTAINED WITHIN THIS DOCUMENT. PLEASE NOTE THAT STRAIGHTPOINT ACCEPT NO RESPONSIBILITY FOR ANY ERRORS OR OMISSIONS.

Before using the COLT you must download and install the COLT2 app for Android or iOS.



WARNING: It is the responsibility of the operator to ensure that any wire rope being measured is not connected to any form of electrical supply. If using the COLT at height local working at height guidance should be checked.

Avant d'utiliser le COLT, vous devez télécharger et installer l'application COLT2 pour Android ou iOS.



AVERTISSEMENT : L'opérateur est tenu de s'assurer que tout câble étant mesuré n'est connecté à aucune forme d'alimentation électrique. En cas d'utilisation du COLT en hauteur, il convient de vérifier les directives locales relatives au travail en hauteur.

Bevor Sie den COLT verwenden, müssen Sie die COLT2-App für Android oder iOS herunterladen.



WARNUNG: Der Bediener ist dafür verantwortlich, dass das zu messende Drahtseil nicht an einer Stromversorgung angeschlossen ist. Wenn der COLT in größerer Höhe verwendet wird, dann müssen die lokalen Richtlinien für das Arbeiten in Höhen überprüft werden.

Antes de usar el COLT, debe descargar e instalar la aplicación COLT2 para Android o iOS.



ADVERTENCIA: Es responsabilidad del operador garantizar que cualquier cable metálico que se esté midiendo no esté conectado a ninguna toma de corriente. Si se utiliza el COLT en altura, se debe comprobar el funcionamiento local en altura.

Prima di utilizzare il COLT è necessario scaricare e installare la app COLT2 per Android o iOS.



ATTENZIONE: è responsabilità dell'operatore assicurarsi che qualsiasi fune metallica da misurare non sia connessa ad alcuna forma di elettricità. Se si utilizza COLT ad una certa altezza è necessario controllare una guida per lavorare a grandi altezze.

U moet de COLT2-app voor Android of iOS downloaden en installeren voordat u de COLT gebruikt.



WAARSCHUWING: De operator is er verantwoordelijk voor dat elke kabel die wordt gemeten niet aan een elektrische voeding is verbonden. Wanneer de COLT op hoogte wordt gebruikt, moeten de lokale richtlijnen voor werkzaamheden op hoogte worden geraadpleegd.

Перед началом использования COLT необходимо загрузить и установить приложение COLT2 для Android или iOS.



ПРЕДУПРЕЖДЕНИЕ. Оператор должен убедиться, что ни один из измеряемых стальных тросов не находится под напряжением. При использовании COLT на высоте следует соблюдать местные нормы выполнения высотных работ.

Πριν τη χρήση του COLT, πρέπει να κάνετε λήψη και εγκατάσταση της εφαρμογής COLT2 για Android ή iOS.



ΠΡΟΕΙΔΟΠΟΙΗΣΗ: Αποτελεί ευθύνη του χειριστή να εξασφαλίσει ότι οποιοδήποτε συρματόσχοινο που μετρείται δε συνδέεται σε οποιαδήποτε μορφή ηλεκτρική παροχή. Εάν χρησιμοποιείτε το COLT σε ύψος, θα πρέπει να ελεγχθούν τοπικές οδηγίες εργασίας σε ύψος.

Før du bruker COLT må du laste ned og installere COLT2-appen for Android eller iOS.



ADVARSEL: Det er brukernes ansvar å påse at alle stålkabler som måles ikke er koplet til noen form for elektrisk forsyning. Om man bruker COLT i høyden skal veiledning for høydearbeid kontrolleres.

Du måste ladda ner och installera COLT2-appen för Android eller iOS innan du kan använda COLT.



WARNING: Det är användarens skyldighet att se till att ingen vajer som mäts är ansluten eller i kontakt med något som gör den potentiellt strömförande. Om du använder COLT på höjd så måste lokala direktiv för arbeten på höjd kontrolleras.

在使用 COLT 之前，您必須下載并安裝 Android 或 iOS 的 COLT2 应用程序。

普通话

警告：操作人员有责任确保被测钢丝绳未连接到任何形式的电源。如果在高处使用COLT，应当查当年当地高空作业指导手册。

العربية قبل استخدام COLT يجب تحميل وتثبيت تطبيق COLT2 للاندرويد أو iOS.

تحذير: تقع على عاتق المشغل مسؤولية التأكد من أن أي حبل سلكي يتم قياسه لا يكون متصل بأي شكل من أشكال الإمدادات الكهربائية. يجب مراعاة التحقق من التعليمات الخاصة بالعمل على ارتفاع إذا كنت تستخدم COLT على ارتفاع.



All products manufactured and sold by Straightpoint Ltd, are sold with the express understanding that the purchaser and user are thoroughly familiar with the safe use, proper care and application of the product.

Responsibility for the safe use, proper care and application of the product rests with the user.

Failure of the product can occur due to misapplication, abuse, overloading, or improper care and maintenance.

There are numerous government and industry standards that cover products manufactured and sold by Straightpoint Ltd. This document makes no attempt to reference all of them. We do reference standards that are most current like ASME B30.26-2010 "detachable load indicating devices."

Ratings shown in Straightpoint Ltd literature are only applicable to new or "as new condition" products.

Rated capacities define the greatest force or load a product can carry under usual or normal environmental conditions. Shock loading and extraordinary conditions must be taken into account when selecting products and product capacity.

Some of the products in the Straightpoint Ltd catalogues are designed for use with rigging hardware and components which could be supplied from several different manufacturers. It is crucial that you read and understand the literature from these manufacturers, as well as governmental standards and industry technical manuals.

The rated capacity, design factor and efficiency rating of each Straightpoint Ltd product may be affected by wear, misuse, overloading, corrosion, deformation, intentional alteration, age and other use conditions.

The recommended proof load on all items manufactured and sold by Straightpoint Ltd is twice the working load limit (WLL), unless otherwise shown. Proof testing is included on all Straightpoint Ltd load indicating products.



Tous les produits fabriqués et vendus par Straightpoint Ltd sont vendus à la condition expresse que l'acheteur et l'utilisateur soient parfaitement familiarisés avec l'utilisation sécuritaire, les soins appropriés et l'application du produit. La responsabilité de l'utilisation sécuritaire, des soins appropriés et de l'application du produit incombe à l'utilisateur. Une défaillance du produit peut être due à une mauvaise utilisation, un abus, une surcharge ou à un mauvais entretien ou maintenance. Il existe de nombreuses normes gouvernementales et industrielles qui couvrent les produits fabriqués et vendus par Straightpoint Ltd. Ce document ne fait pas référence à l'ensemble d'entre elles. Nous référons aux normes de référence qui sont les plus courantes comme ASME B30.26-2010 "appareil indiquant une charge."

Les notes indiquées dans les documentations émises par Straightpoint Ltd sont seulement applicables aux nouveaux produits ou en tant que nouvelle condition. Les capacités nominales définissent la force ou charge maximale que le produit peut supporter dans des conditions d'utilisation environnementales normales. Tout risque de secousse ou chargement ou toute condition d'utilisation extraordinaire doivent être pris en compte lors de la sélection des produits et de la capacité du produit. Certains produits des catalogues Straightpoint Ltd catalogues sont conçus pour une utilisation avec des accessoires de montage et des composants qui pourraient être fournis par différents fabricants. Il est essentiel que vous lisiez et compreniez la documentation de ces fabricants, ainsi que des normes gouvernementales et les manuels techniques de l'industrie.

La capacité nominale, la conception et l'efficacité des facteurs de chaque produit fourni par Ltd Straightpoint pourraient être affectées par l'usure, la mauvaise utilisation, surcharge, corrosion, déformation, altération intentionnelle, l'âge et autres conditions d'utilisation. La charge d'épreuve recommandée pour tous les articles fabriqués et vendus par Straightpoint Ltd est le double de la charge maximale d'utilisation (CMU), sauf indication contraire. La charge d'épreuve se retrouve sur tous les produits de la gamme Straightpoint Ltd.



Alle durch Straightpoint Ltd hergestellten und vertriebenen Produkte werden in dem ausdrücklichen Verständnis verkauft, dass Käufer und Nutzer vollständig mit der sicheren Nutzung als auch der sachgemäßen Behandlung und Anwendung des Produktes vertraut sind. Die Verantwortung für die sichere Nutzung als auch die sachgemäße Behandlung und Anwendung des Produktes liegt bei dem Nutzer.

Als Folge von unsachgemäßer Anwendung, Behandlung und Instandhaltung oder Überbelastung kann Produktversagen auftreten. Es gibt zahlreiche staatliche- und Industriennormen, die durch Straightpoint Ltd hergestellte und vertriebene Produkte betreffen. In diesem Dokument wird nicht der Versuch unternommen, auf jede dieser Normen zu verweisen, lediglich die gängigsten wie ASME B30.26-2010 „abnehmbare Geräte zur Lastanzeige“ werden erwähnt. In Prospekten von Straightpoint Ltd angegebene Leistungsangaben gelten nur für neue oder „im Neuzustand befindliche“ Produkte.

Die Tragfähigkeit bestimmt die maximale Belastung eines Produktes unter normalen Umgebungsbedingungen. Bei der Auswahl der Produkte und ihrer Belastbarkeit sind Schockbelastung und außergewöhnliche Umstände zu berücksichtigen.

Einige der Produkte in den Katalogen von Straightpoint Ltd sind für die Nutzung mit Verspannungsequipment- und elementen entwickelt, die von mehreren verschiedenen Herstellern bereitgestellt sein könnten. Es ist äußerst wichtig, dass sie die Anleitungen dieser Hersteller lesen und verstehen, ebenso wie die entsprechenden staatliche Normen und technischen Handbücher.

Die Tragfähigkeit, der Berechnungsbeiwert und der Gütegrad eines jeden Produktes von Straightpoint Ltd können durch Verschleiß, falsche Anwendung, Überbelastung, Korrosion, Verformung, absichtliche Umänderung, Lebensdauer und andere Anwendungsbedingungen beeinflusst werden.

Die empfohlene Prüflast für alle von Straightpoint Ltd hergestellten und vertriebenen Posten entspricht dem Doppelten der zulässigen Tragfähigkeit, sofern nicht anders ausgewiesen. Bei allen Lastanzeige-Produkten von Straightpoint Ltd sind Prüftests inbegriffen.



Todos los productos que fabrica y vende Straightpoint Ltd se venden sabiendo explícitamente que el comprador y el usuario son plenamente conscientes de utilizar el producto de forma segura, cuidarlo y emplearlo.

El usuario es responsable de utilizarlo de forma segura, cuidarlo y emplearlo.

El mal funcionamiento del producto puede deberse a un uso indebido, abuso, sobrecarga, o cuidado y mantenimiento inadecuados. Hay múltiples estándares gubernamentales e industriales que incluyen los productos que fabrica y vende Straightpoint Ltd. En este documento no se pretende citar todos ellos. Si citamos estándares muy actuales como el ASME B30.26-2010 "dispositivos indicadores de carga desmontables."

Las valoraciones que aparecen en las publicaciones de Straightpoint Ltd solo se aplican a productos nuevos o "como nuevos".

Las capacidades valoradas definen la fuerza mayor o la carga que un producto puede soportar en condiciones ambientales normales. Se deben tener en cuenta las cargas de choque y las condiciones extraordinarias al seleccionar los productos y la capacidad de los mismos.

Algunos de los productos de los catálogos de Straightpoint Ltd están diseñados para su uso con hardware adicional y componentes que pueden facilitar distintos fabricantes. Es fundamental que lea y entienda las publicaciones de estos fabricantes, así como los estándares gubernamentales y los manuales técnicos de la industria.

La capacidad valorada, el diseño y el índice de eficiencia de los productos de Straightpoint Ltd puede verse afectado por el desgaste, un uso indebido, una sobrecarga, la corrosión, una deformación, una alteración intencional, la edad y otras condiciones de uso.

La carga de prueba recomendada en todos los productos que fabrica y vende Straightpoint Ltd es dos veces el límite de carga de trabajo (WLL, según sus siglas en inglés) a menos que se indique lo contrario. Los ensayos están incluidos en todos los productos indicadores de carga de Straightpoint Ltd.



Tutti i prodotti fabbricati e venduti da Straightpoint Ltd, sono venduti con la condizione espressa che l'acquirente e l'utilizzatore abbiano molta familiarità con l'uso sicuro, la cura e l'applicazione del prodotto.

La responsabilità per l'uso sicuro, la cura e l'applicazione del prodotto spetta all'utente.

Problemi al prodotto possono verificarsi a causa di cattiva applicazione, abuso, sovraccarico, o mancanza di cura e manutenzione. Numerose sono le norme governative e di settore che coprono i prodotti fabbricati e venduti da Straightpoint Ltd. Il presente documento non fa riferimento a tutte le suddette; facciamo riferimento a standard più attuali come ASME B30.26-2010 "dispositivi che indicano carico removibile."

Valutazioni riportate relative a Straightpoint Ltd sono solo applicabili ai prodotti nuovi o in condizioni "come nuovi".

Le capacità riportate definiscono la forza o il carico più grande che un prodotto può trasportare in condizioni ambientali normali o solite. Condizioni straordinarie di carico devono essere prese in considerazione nel selezionare prodotti e capacità del prodotto.

Alcuni dei prodotti nei cataloghi Straightpoint Ltd sono progettati per l'uso per mezzo di accessori e componenti che potrebbero essere forniti da diversi produttori diversi. È fondamentale leggere e comprendere la documentazione di questi produttori, così come le norme governative ed i manuali tecnici del settore.

La valutazione della capacità nominale, fattore di sicurezza e di efficienza di ogni prodotto Straightpoint Ltd può essere influenzata da usura, uso improprio, sovraccarico, corrosione, deformazione, modifiche intenzionali, età e altre condizioni di utilizzo. Il carico di prova consigliato su tutti gli articoli prodotti e venduti da Straightpoint Ltd è il doppio del limite di carico di lavoro (WLL), se non diversamente indicato. Il test di prova è incluso su tutti i prodotti Straightpoint Ltd che indicano carico.



Alle producten die door Straightpoint Ltd zijn geproduceerd en verkocht, worden met het uitdrukkelijke begrip verkocht dat de koper en gebruiker zeer vertrouwd zijn met veilig gebruik, goede zorg en toepassing van het product. De verantwoordelijkheid voor veilig gebruik, goede zorg en toepassing van het product ligt bij de gebruiker.

Defecten van het product kunnen worden veroorzaakt door een verkeerde toepassing, misbruik, overbelasting of onjuiste zorg en onderhoud van het product.

Er zijn verschillende maatstaven van overheidswege en uit de industrie die betrekking hebben op producten geproduceerd en verkocht door Straightpoint Ltd. Dit document bevat geen verwijzing naar al deze maatstaven. We verwijzen naar maatstaven die het meest van toepassing zijn, zoals de ASME B30.26-2010 "afneembare belasting aanwissapparaat". Kwalificaties als aangegeven in naslagwerken van Straightpoint Ltd of Straightpoint Inc. zijn slechts van toepassing op nieuwe producten of producten die "zo goed als nieuw" zijn.

Nominale capaciteiten bepalen de grootste kracht of lasten die dit product kan dragen onder gebruikelijke of normale omgevingsomstandigheden. U dient tijdens het selecteren van producten en productcapaciteit rekening te houden met schokbelasting en buitengewone omstandigheden.

Enkele producten uit de catalogi van Straightpoint Ltd zijn ontworpen voor gebruik met tuigageapparatuur en – onderdelen, welke door verschillende producenten geleverd kunnen worden. Het is van cruciaal belang om de naslagwerken van deze producenten goed door te lezen en te begrijpen, evenals alle maatstaven van overheidswege en technische handleidingen uit de industrie.

De nominale capaciteit, ontwerpfactor en efficiëntie van elk product van Straightpoint Ltd kan worden beïnvloed door slijtage, misbruik, overbelasting, corrosie, misvorming, bewuste aanpassing, levensduur en andere gebruiksomstandigheden.

De aanbevolen proeflast voor alle artikelen geproduceerd en verkocht door Straightpoint Ltd is tweemaal de drempelwaarde voor de werklust (WLL), tenzij anderszins aangegeven. De proeflast is inbegrepen bij alle lastweegtoestellen van Straightpoint Ltd.



Вся продукция компаний Straightpoint Ltd продается с учетом того, что покупатель и пользователь хорошо знакомы с правилами безопасной эксплуатации и правильного ухода. Ответственность за безопасную эксплуатацию и надлежащий уход за приобретенными изделиями возлагается на пользователя.

Поломка изделия может произойти вследствие его неправильной эксплуатации, перегрузки или неправильного ухода и обслуживания.

Продукция компаний Straightpoint Ltd изготовлена в соответствии с множеством государственных и промышленных стандартов. В настоящем документе имеются ссылки только на некоторые (наиболее актуальные) из них, например: ASME B30.26-2010 «съемные устройства для взвешивания».

Характеристики, приведенные в документации компаний Straightpoint Ltd, применимы только к новым изделиям или изделиям, по состоянию сопоставимым с новыми.

Номинальная грузоподъемность представляет собой наибольшую силу или нагрузку, которую может выдержать изделие в обычных или нормальных условиях. При выборе изделий и их производительности следует учитывать возможные ударные нагрузки и чрезвычайные условия.

Некоторые из изделий в каталогах компаний Straightpoint Ltd предназначены для использования на такелажном оборудовании и элементах, которые могут поставляться различными производителями. Очень важно прочитать и понять содержание документации к такому оборудованию, а также государственных стандартов и технических руководств для промышленного оборудования.

На номинальную грузоподъемность, расчетный коэффициент и показатель эффективности каждого изделия компаний Straightpoint Ltd, может воздействовать износ, неправильное использование, перегрузки, коррозия, деформация, преднамеренная модификация, старение и другие условия эксплуатации.

Рекомендуемая допустимая нагрузка на все изделия компаний Straightpoint Ltd в два раза превышает предельно допустимую нагрузку (ПДН), если не указано иное. Все изделия Straightpoint Ltd для взвешивания прошли контрольные испытания.



Όλα τα προϊόντα που κατασκευάζονται και πωλούνται από τις Straightpoint Ltd, πωλούνται με τη ρητή επιφύλαξη ότι ο αγοραστής και ο χρήστης είναι πλήρως εξοικειωμένοι με την ασφαλή χρήση, την κατάλληλη φροντίδα και την εφαρμογή του προϊόντος.

Η ευθύνη για την ασφαλή χρήση, την κατάλληλη φροντίδα και την εφαρμογή του προϊόντος επιβαρύνει το χρήστη.

Αποτυχία του προϊόντος μπορεί να οφείλεται στην κακή εφαρμογή, κακοποίηση, υπερφόρτωση ή ακατάλληλη φροντίδα και συντήρηση.

Υπάρχουν πολλά κυβερνητικά και βιομηχανικά πρότυπα που καλύπτουν τα προϊόντα που κατασκευάζονται και πωλούνται από τις Straightpoint Ltd. Το παρόν έγγραφο δεν κάνει καμία προσπάθεια να τα αναφέρει όλα. Γίνεται αναφορά στα πλέον πρόσφατα πρότυπα, όπως το ASME B30.26-2010 "συσκευές ένδειξης αποσπώμενου φορτίου".

Βαθμολογίες που παρουσιάζονται στη βιβλιογραφία των Straightpoint Ltd, ισχύουν μόνο για νέα προϊόντα ή προϊόντα «σαν καινούρια». Οι ονομαστικές ικανότητες καθορίζουν τη μεγαλύτερη δύναμη ή φορτίο που μπορεί να μεταφέρει ένα προϊόν υπό συνθήκες ή κανονικές περιβαλλοντικές συνθήκες. Πρέπει να λαμβάνονται υπόψη περιπτώσεις υπερβολικού φορτίου και εξαιρετικών συνθηκών κατά την επιλογή προϊόντων και χωρητικότητας προϊόντων.

Ορισμένα από τα προϊόντα στους καταλόγους των Straightpoint Ltd είναι σχεδιασμένα για χρήση με εξοπλισμό εξάρτησης και συστατικά που μπορεί να προσφέρουν από διάφορους άλλους κατασκευαστές. Είναι σημαντικό να διαβάσετε και κατανοήσετε τη βιβλιογραφία που προσφέρουν αυτοί οι κατασκευαστές, καθώς και τα κυβερνητικά πρότυπα και βιομηχανικά τεχνικά εγχειρίδια.

Η ονομαστική χωρητικότητα, ο συντελεστής σχεδιασμού και η ονομαστική τιμή αποτελεσματικότητας κάθε προϊόντων των Straightpoint Ltd μπορεί να επηρεαστούν από παράγοντες όπως φθορά, κακή χρήση, υπερφόρτωση, διάβρωση, παραμόρφωση, εκσεμική αλλοίωση, ηλικία και άλλες συνθήκες χρήσης.

Το συνιστώμενο φορτίο απόδειξης για όλα τα στοιχεία που κατασκευάζονται και πωλούνται από τις Straightpoint Ltd είναι διπλάσιο του ορίου φορτίου εργασίας (WLL), εκτός αν ορίζεται διαφορετικά. Αποτελέσματα δοκιμαστικού ελέγχου περιλαμβάνονται σε όλα τα προϊόντα ένδειξης φορτίου των Straightpoint Ltd.



Alle produkter produceret og solgt af Straightpoint Ltd, er solgt med den utrykkelige forståelsen at kjøperen og brukeren er godt kjent med trygg bruk, riktig behandling og bruk av produktet.

Ansvaret for trygg bruk, riktig behandling og bruk av produktet hviler på brukeren.

Produktsvikt kan oppstå på grunn av misbruk, feilaktig bruk, overbelastning, eller feilaktig behandling og vedlikehold.

Det finnes flertallige statlige og industristandarder som dekker produkter produsert og solgt av Straightpoint Ltd. Dette dokumentet har ikke som hensikt å henvise til dem alle. Vi henviser til standarder som er mest oppdaterte slik som ASME B30.26-2010 "avtakbar last indiserende utstyr."

Klassifiseringer vist i Straightpoint Ltd litteratur gjelder kun nye eller produkter i "som ny tilstand".

Klassifiserte kapasiteter definerer det største trykket eller belastningen et produkt kan bære under vanlige eller normale miljømessige betingelser. Slagbelastning eller ekstraordinære betingelser må tas i betraktning ved valg av produkter og produktkapasitet.

Noen av produktene i Straightpoint Ltd katalogene er designet for bruk med rigging hardware og komponenter som kan leveres fra flere forskjellige produsenter. Det er viktig at du leser og forstår litteraturen fra disse produsentene, så vel som statlige standarder og industritekniske håndbøker.

Den klassifiserte kapasiteten, designfaktoren og effektivitetsgraden av hvert Straightpoint Ltd produkt kan være påvirket av slitasje, misbruk, overbelastning, korrosjon, deformering, tilsiktet alterasjon, alder og andre bruksbetingelser.

Den anbefalte prøvebelastningen på alle elementene produsert og solgt av Straightpoint Ltd, er to ganger arbeidsbelastningsgrensen (WLL) (ABG), om ikke annet er vist. Prøvebelastning er inkludert på alle Straightpoint Ltd lastindiserende produkter.



Alla produkter som tillverkas och säljs av Straightpoint Ltd säljs med uttryckliga hänvisningar om att köparen och användaren har god kännedom om säker användning, skötsel och tillämpningen av produkten. För säker användning, skötsel och tillämpningen av produkten ansvarar användaren.

Felaktig användning, missbruk, överbelastning eller felaktig skötsel och underhåll kan leda till att produkten fördärvas.

Det finns många statliga standarder och branschstandarder som omfattar produkterna som tillverkas och säljs av Straightpoint Ltd. Detta dokument försöker inte referera till dem alla. Vi refererar till den lämpligaste standarden ASME B30.26-2010 för "löstagbara och belastningsindikerande enheter". Värderna som anges i litteratur från Straightpoint Ltd gäller endast nya produkter eller produkter i "nyskick".

Den nominella kapaciteten definierar den största kraften eller lasten en produkt kan bära under vanliga och normala miljöförhållanden. Chockbelastning och exceptionella förhållanden måste beaktas vid val av produkter och produktkapacitet.

Några av produkterna som visas i katalogerna från Straightpoint Ltd är utformade för användning med rigghårdvara och komponenter som kan levereras från flera olika tillverkare. Det är viktigt att du läser och förstår litteraturen från dessa tillverkare samt statliga standarder och industritekniciska handböcker.

Den nominella kapaciteten, utformningsfaktorn och verkningsgraden för varje produkt från Straightpoint Ltd kan påverkas av slitage, missbruk, överbelastning, korrosion, deformation, avsiktlig förändring, ålder och annan användning. Den rekommenderade provbelastningen på alla enheter som tillverkas och säljs av Straightpoint Ltd är dubbelt så stor som den maximala arbetslasten, om inte annat anges. Provtvättning görs på alla belastningsindikerade produkter från Straightpoint Ltd.

普通话

由“速得有限公司”（Straightpoint Ltd）制造和销售的所有产品，销售时都要求明确确认，产品的购买方和使用方完全熟悉产品的安全使用、恰当维护及正确应用。产品使用方有责任安全使用、恰当维护和正确应用本产品。

不恰当地应用、滥用、超负荷使用产品，或者产品的维护保养方式不正确，都有可能导致产品功能失效。

速得有限公司制造和销售的产品所适用的政府和行业标准虽然很多，但本使用手册只引用了那些最新的规范 and 标准（如美国机械工程师协会 ASME B30.26-2010 可拆卸式负荷指示设备标准），并未参照所有这些相关标准。

速得有限公司的产品手册和资料中列出的设备额定载荷，仅适用于新产品或性能无异于全新状态的已用产品。

额定载荷能力是指在常规或正常环境条件下产品或设备所能承载的最大外力或负荷。在选择产品类型及其载荷能力水平时，必须考虑冲击载荷及一些极端的应用状况。

速得产品目录中的一些产品，在设计上要求与吊索具和辅件等部件配合使用，而这些部件可能由其他制造商生产。因此，客户应当认真阅读并理解这些制造商提供的产品资料以及政府相应标准和行业技术规范，这一点非常重要。

所有速得公司制造和销售的产品，其额定载荷能力、设计系数（安全系数）和效率级别可能会受到诸多因素的影响，包括设备磨损、错误使用、过载、腐蚀、变形、人为构造改变、老化以及其他一些使用状况。

除非另有说明，对于所有由速得公司制造和销售的产品，建议的验证载荷为产品最大工作载荷（WLL）的两（2）倍。速得公司制造的所有负荷指示产品，在出售前都要经过载荷验证测试。

العربية

جميع المنتجات المصنوعة والمباعة من شركتي Straightpoint Ltd. تُباع بفهم واضح بأن المشتري والمستخدم على دراية كبيرة بالاستخدام الآمن للمنتج والعناية الملائمة به وبإستعماله.

يتحمل المستخدم مسؤولية الاستخدام الآمن والعناية الملائمة والاستعمال.

قد يفقد المنتج بسبب سوء الاستعمال وسوء الاستخدام والحمولة الزائدة والعناية والصيانة غير الملائمتين.

هناك الكثير من المعايير الحكومية والصناعية التي تغطي المنتجات المصنوعة والمباعة من Straightpoint Ltd. لا تسعى هذه الوثيقة على الإطلاق للإشارة إلى جميع هذه المعايير. لكننا نشير إلى المعايير المسندة في الوقت الحالي مثل ASME B30.26-2010 "أجهزة بيان الحملية القابلة للفصل".

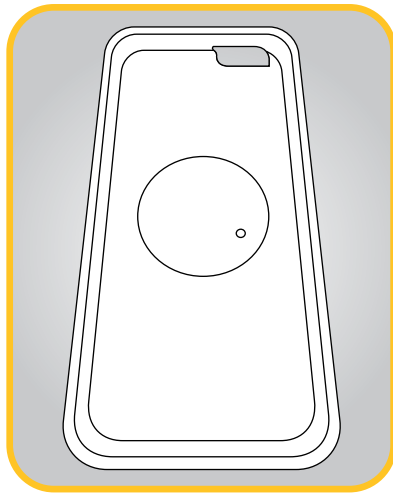
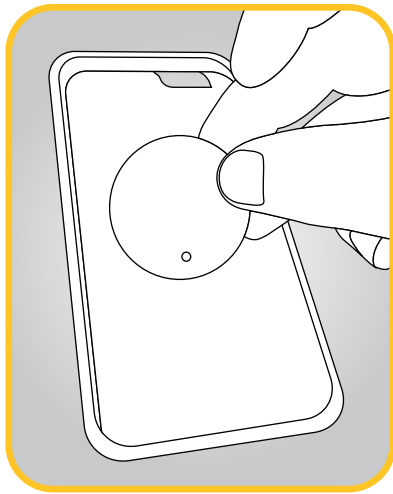
تنطبق القيم المشار إليها في مستندات Straightpoint Ltd. على المنتجات الجيدة أو التي هي "بحالة الجيدة".

السمات المقدرة تحدد أكبر قوة أو حمولة يمكن للمنتج حملها في ظل الظروف البيئية المعتادة أو العادية. يجب وضع التحميل الفجائي والظروف الاستثنائية في الاعتبار عند اختيار المنتج وسعته.

بعض المنتجات المبنية في كتالوجات Straightpoint Ltd مصممة للاستخدام مع معدات ومكونات رفع يمكن الحصول عليها من مصنّعين مختلفين. من الأهمية بمكان أن نقرأ المستندات الواردة من هؤلاء المصنّعين ونفهمها بالإضافة إلى المعايير الحكومية والأدلة الفنية في الصناعة.

قد تتأثر السعة المقدرة وعامل تصميم وتقدير سعة كل منتج من منتجات Straightpoint Ltd. بالبيانات الناتجة عن الاستخدام وسوء الاستعمال والحمولة الزائدة والصدأ والتشوّه والتغيير المتعمد والمعمّر وظروف الاستخدام الأخرى.

يُقدر حمل الصمود الموصى به في كل المنتجات المصنّعة والمباعة من قبل Straightpoint Ltd. بضعف حد حمل العمل ما لم يتم الإشارة إلى خلاف ذلك. خضعت جميع منتجات بيان الحملية التي تنتجها Straightpoint Ltd. لاختبارات الصمود.



Affix steel disc to back of smart phone or inside of smart phone cover.
This will allow you to place the smart phone onto the mount on the COLT and use it hands-free.

Fixez le disque en acier sur l'arrière du smartphone ou à l'intérieur de la protection du smartphone.
Cela vous permettra de placer le smartphone sur le support du COLT et de l'utiliser en gardant les mains libres.

Befestigen Sie die Stahlscheibe an der Rückseite des Smartphones oder auf der Innenseite der Smartphone-Abdeckung.
So können Sie das Smartphone am COLT anbringen und Sie haben die Hände frei.

Adhiera el disco de acero a la parte trasera del smartphone o por dentro de la carcasa.
Esto le permitirá colocar el smartphone en la montura del COLT y utilizar el manos libres.

Attaccare il disco di acciaio al retro dello smartphone o dentro la cover dello smartphone.
Questo vi consentirà di posizionare lo smartphone sul supporto sul COLT e usarlo senza aver bisogno delle mani.

Bevestig de stalen schijf aan de achterkant van de smartphone of in de smartphonehoes.
Hierdoor kunt u de smartphone op het bevestigingselement van de COLT plaatsen en zonder handen gebruiken.

Закрепите стальной диск на задней стороне смартфона или внутри крышки смартфона.
Это позволит вам поместить смартфон на штатив COLT и работать с ним без использования рук.

Τοποθετήστε τον ατσάλινο δίσκο στην πίσω πλευρά του smartphone ή εσωτερικά ενός καλύμματος smartphone.
Αυτό θα σας επιτρέψει να τοποθετήσετε το smartphone στη βάση του COLT και να το χρησιμοποιείτε χωρίς να το κρατάτε (hands-free).

Fäst stålskiva på baksidan av din smartphone eller på insidan av dess fodral.
Det gör det möjligt för dig att placera din smartphone i hållaren på COLT och använda den handsfree.

Fäst stålskiva till baksidan av smartphone eller insidan av smartphone lock.
Detta gör att du kan placera den smarta telefonen på fästet på COLT och använda det handsfree.

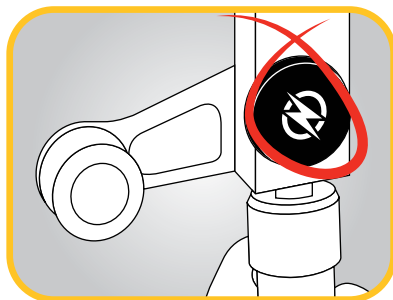
将钢盘贴在智能手机背面或智能手机盖内。
这将允许您将智能手机放在COLT上的安装座上，并使用免提功能。

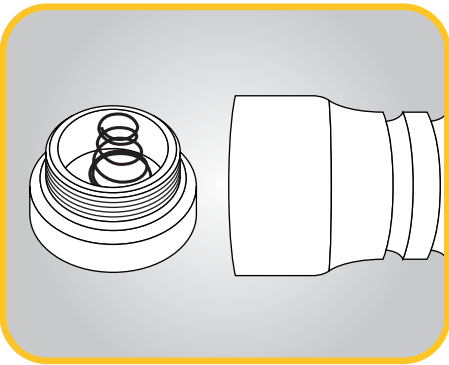
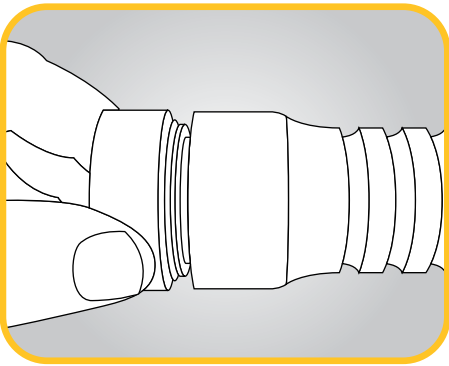


普通话

العربية

ثبت القرص الصلب في خلفية الهاتف الذكي أو داخل غطاء الهاتف الذكي.
وهذا سوف يمكنك من وضع الهاتف الذكي على المنصة واستخدام COLT دون الاضطرار الى محمله في يدك.





Now unscrew the end of the handle to access the battery compartment.

À présent, dévissez l'extrémité de la poignée pour accéder au compartiment des piles.

Schrauben Sie nun das Griffende ab, um Zugang zum Batteriefach zu erhalten.

Luego, desenrosque el extremo del mango para acceder al compartimento de la batería.

Ora svitare la fine della maniglia per accedere al comparto delle batterie.

Schroef nu het uiteinde van de handgreep, zodat u bij de batterijhouder kunt.

Открутите крышку на конце ручки для доступа в батарейный отсек.

Ξεβιδώστε τώρα το άκρο της χειρολαβής για πρόσβαση στο διαμέρισμα μπαταρίας.

Skrú nú av endan av hándtaket for á fá tilgang til batterirommet.

Skruva nu av handtaget för åtkomst till batterifacket.

现在拧开手柄末端，通向电池盒。



普通话

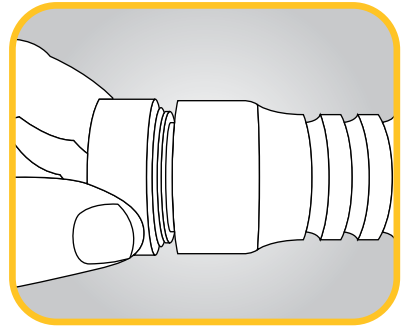
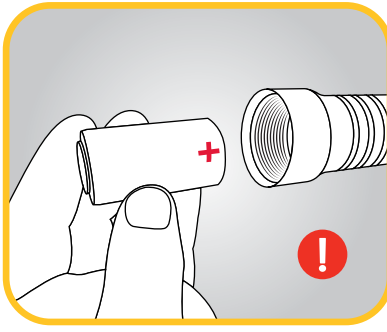
العربية

الآن تلك نهاية المقبض للوصول إلى البطارية.

Fitting batteries

Part No:
SU3714
Issue 2.1

07



Insert 2 x 'C' cell alkaline batteries.

WARNING: Make sure the positive terminal points into the handle.

Once inserted, screw the end of the handle back into place.

You may now connect your COLT to your smartphone using the COLT2 app.

Please refer to <http://www.straightpoint.com/clamp-on-line-tensiometer> for app instructions.

Insérez 2 piles alcalines de type C.

AVERTISSEMENT : Assurez-vous que la borne positive est dirigée vers la poignée.

Une fois les piles insérées, revissez l'extrémité de la poignée.

Maintenant, vous pouvez connecter le COLT à votre smartphone à l'aide de l'application COLT2.

Veillez consulter <http://www.straightpoint.com/clamp-on-line-tensiometer> pour les instructions de l'application.

Legen Sie 2 x alkalische C-Zellenbatterien ein.

WARNUNG: Achten sie darauf, dass der positive Pol auf den Griff gerichtet ist.

Nach dem Einlegen der Batterien schrauben Sie das Griffende wieder fest.

Verbinden Sie jetzt den COLT mithilfe der COLT2-App mit dem Smartphone.

Die App-Anleitung finden Sie hier: <http://www.straightpoint.com/damp-on-line-tensiometer>

Introduzca 2 pilas C alcalinas.

ADVERTENCIA: Asegúrese de que los polos positivos apunten al mango.

Una vez introducidas, vuelva a enroscar el extremo del mango.

Ahora ya puede conectar el COLT a su smartphone mediante la aplicación COLT2.

Por favor, vaya a <http://www.straightpoint.com/clamp-on-line-tensiometer> para ver las instrucciones de la aplicación.

Insérez 2 x 'C' batterie alcaline.

ATTENZIONE: Assicurarsi che l'estremità positiva sia rivolta verso la maniglia.

Una volta inserite, avvitare la fine della maniglia per rimetterla in posizione.

Ora è possibile connettere il COLT al vostro smartphone utilizzando la app COLT2.

Si prega di far riferimento a <http://www.straightpoint.com/clamp-on-line-tensiometer> per istruzioni sulla app.

Plaats 2 alkaliebatterijen van type C.

WAARSCHUWING: Zorg dat de positieve aansluitpunten in de handgreep zitten.

Schroef daarna het uiteinde van de handgreep weer terug.

U kunt uw COLT nu met uw smartphone verbinden via de COLT2-app.

Raadpleeg <http://www.straightpoint.com/clamp-on-line-tensiometer> voor instructies voor de app.

Вставьте 2 щелочные аккумуляторные батареи.

ПРЕДУПРЕЖДЕНИЕ. Следите за тем, чтобы края с положительным зарядом были направлены в сторону ручки.

После этого закрутите крышку на конце ручки обратно.

Теперь вы можете подключить COLT к своему смартфону с помощью приложения COLT2.

Инструкцию по применению приложения см. здесь: <http://www.straightpoint.com/clamp-on-line-tensiometer>.

Τοποθετήστε 2 αλκαλικές μπαταρίες κυψέλης 'C'.

ΠΡΟΕΙΔΟΠΟΙΗΣΗ: Βεβαιωθείτε ότι ο θετικός ακροδέκτης δείχνει στη χειρολαβή.

Όταν τοποθετηθεί, βιδώστε πάλι το άκρο της χειρολαβής στη θέση του.

Μπορείτε τώρα να συνδεθείτε στο COLT σας με το smartphone σας χρησιμοποιώντας την εφαρμογή COLT2.

Ανατρέξτε στη διεύθυνση <http://www.straightpoint.com/clamp-on-line-tensiometer> για οδηγίες εφαρμογής.

Sett inn 2 x 'C' cellers alkaliske batterier.

ADVARSEL: Påse at den positive endekoplingen peker inn i håndtaket.

Så snart de er satt inn, skru enden av håndtaket tilbake på plass.

Du kan nå kople din COLT til smarttelefonen ved bruk av COLT2-appen.

Rådfer deg med <http://www.straightpoint.com/clamp-on-line-tensiometer> for app-instruksjoner.

Sätt in 2 st. alkaliska batterier av typ 'C'-cell.

VARNING: Se till att den positiva terminalen riktas in i handtaget.

När batterierna satts i, skruva tillbaka handtaget på plats.

Du kan nu ansluta din COLT till din smartphone med hjälp av COLT2-appen.

Se <http://www.straightpoint.com/clamp-on-line-tensiometer> för instruktioner för appen.

插入2节“C”型碱性电池。

警告：确保正极端指向手柄内部。

插入后，将手柄的末端拧回到位。

您现在可以使用 COLT2 应用程序将 COLT 连接到智能手机。

请参阅 <http://www.straightpoint.com/clamp-on-line-tensiometer> 以获取应用程序说明。

أدخل 2 بطارية قلوية خلوية 'C' × 2

تحذير: تأكد من أن النقط الطرفية الموجبة في المقبس.

بعد إدخال البطاريات، أعد نهاية المقبس مرة أخرى إلى مكانها.

يمكنك الآن توصيل COLT بالهاتف الذكي الخاص بك باستخدام تطبيق COLT2.

يرجى الرجوع إلى <http://www.straightpoint.com/clamp-on-line-tensiometer> لتعليمات التطبيق.



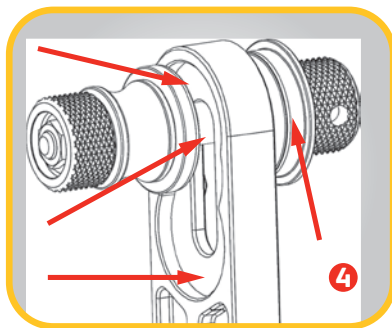
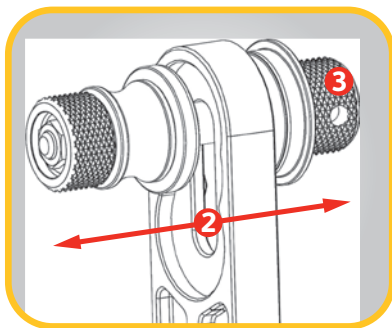
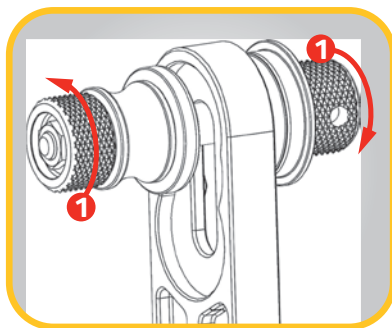
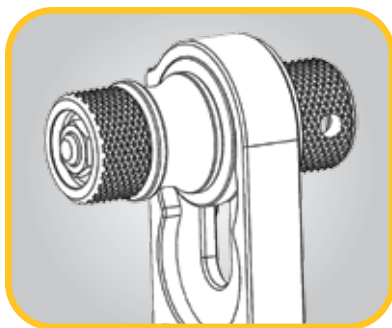
普通话

العربية

Fitting batteries

Part No:
SU3714
Issue 2.1

08



1. Unscrew handles ❶ until axle and sheave is free from registers on both sides ❷.
If the mechanism is tight after use then a lever can be inserted into the hole in the handle ❶ to free it.
Do not use a socket on the axle to aid release.
2. Ensure registers and axle/sheave are clean and free from debris. Lubricate registers if necessary.
3. Identify the diameter of the wire rope you want to measure.
4. Adjust to desired position by unscrewing, sliding and then tightening – Insert Allen key or screw driver through the handle hole to tighten.
Top position: 22-25mm or 7/8" to 1" diameter.
Middle position: 9-21mm or 3/8" to 53/64" diameter.
Bottom position (closest to main body): 5-8mm or 3/16" to 5/16" diameter.
5. Tighten handle and sheave ensuring alignment to registers to firm hand tightness.
6. Ensure mechanism is well lubricated with Duck Oil and all sheaves spin freely.
7. Place the COLT horizontally on a flat surface and zero any load value showing on the App display before taking any measurements.
8. Adjustment mechanism and rear fixed sheave should be kept clean and well lubricated with Duck Oil ❸.
To clean - loosen mechanism by undoing handles, clean debris from registers and threaded axle with a clean rag or compressed air, lubricate with Duck Oil and then tighten ensuring smooth operation. Remove any excess oil as this will attract debris.



1. Dévisser les poignées jusqu'à ce que l'essieu et la poulie soient libres des registres des deux côtés.
Si le mécanisme est serré après utilisation, un levier peut être inséré dans la poignée et utilisé pour le libérer.
N'utilisez pas de prise sur l'essieu pour faciliter le dégagement.
2. S'assurer que les registres et l'essieu / la poulie sont propres et exempts de débris.
3. Identifiez le diamètre du câble que vous voulez mesurer.
4. Ajustez à la position désirée en dévissant, en glissant et en serrant.
Position supérieure: 22-25mm ou 7/8" à 1" de diamètre.
Position médiane: 9-21mm ou 3/8" à 53/64" de diamètre.
Position inférieure (la plus proche du corps principal): 5-8mm ou 3/16" à 5/16" de diamètre.
5. Serrer la poignée et la poulie en veillant à aligner les registres.
6. Assurez-vous que le mécanisme est bien lubrifié.
7. Placez le COLT horizontalement sur une surface plane et mettez à zéro toute valeur de charge affichée sur l'écran de l'application avant de prendre des mesures.
8. Le mécanisme de réglage et la poulie fixe arrière doivent rester propres et bien lubrifiés avec Duck Oil ❸.
Pour nettoyer - desserrer le mécanisme en dévissant les poignées, nettoyer les débris des registres et de l'axe fileté avec un chiffon propre ou de l'air comprimé, lubrifier avec Duck Oil puis serrer pour assurer un fonctionnement en douceur. Enlevez tout excès d'huile, car cela attirera les débris.



Using the COLT

Part No:
SU3714
Issue 2.1

- Schrauben Sie die Griffe ab, bis die Achse und die Scheibe von den Registern auf beiden Seiten frei sind.
Wenn der Mechanismus nach dem Gebrauch fest angezogen ist, kann ein Hebel in das Loch im Griff eingeführt und verwendet werden, um es freizugeben.
Verwenden Sie keine Buchse an der Achse, um die Freigabe zu erleichtern.
- Sicherstellen, dass Register und Achse / Scheibe sauber und frei von Ablagerungen sind.
- Ermitteln Sie den Durchmesser des Drahtseils, das Sie messen möchten.
- Stellen Sie die gewünschte Position ein, indem Sie sie losschrauben, gleiten und dann anziehen.
Top-Position: 22-25mm oder 7/8 "bis 1" Durchmesser.
Mittlere Position: 9-21 mm oder 3/8 "bis 53/64" Durchmesser.
Untere Position (am nächsten zum Hauptkörper): 5-8mm oder 3/16 "bis 5/16" Durchmesser.
- Ziehen Sie den Griff und die Seilscheibe fest, um die Ausrichtung zu den Registern sicherzustellen.
- Sicherstellen, dass der Mechanismus gut geschmiert ist.



- Desatornille los mangos hasta que el eje y la polea estén libres de registros en ambos lados.
Si el mecanismo está apretado después de su uso, entonces se puede insertar una palanca en el orificio del mango y utilizarlo para liberarlo.
No use un casquillo en el eje para ayudar a liberarlo.
- Asegúrese de que los registros y el eje / roldana estén limpios y libres de residuos.
- Identifique el diámetro del cable que desea medir.
- Ajuste a la posición deseada desenroscando, deslizando y luego apretando.
Posición superior: 22-25 mm o 7/8 "a 1" de diámetro.
Posición media: 9-21 mm o 3/8 "a 53/64" de diámetro.
Posición inferior (más cercana al cuerpo principal): 5-8 mm o 3/16 "a 5/16" de diámetro.
- Apriete el mango y la polea asegurando la alineación con los registros.
- Asegúrese de que el mecanismo esté bien lubricado.



- SVitare le maniglie fino a quando l'asse e la puleggia non sono liberi da registri su entrambi i lati.
Se il meccanismo è stretto dopo l'uso, è possibile inserire una leva nel foro del manico e utilizzarla per liberarla.
Non utilizzare una presa sull'assale per facilitare il rilascio.
- Assicurarsi che i registri e l'asse / puleggia siano puliti e privi di detriti.
- Identificare il diametro del filo metallico che si desidera misurare.
- Regolare alla posizione desiderata svitando, facendo scorrere e quindi stringendo.
Posizione superiore: diametro 22-25 mm o 7/8 "a 1".
Posizione centrale: diametro da 9-21 mm o da 3/8 "a 53/64".
Posizione inferiore (più vicina al corpo principale): 5-8 mm o 3/16 "a 5/16" di diametro.
- Stringere l'impugnatura e la puleggia assicurando l'allineamento ai registri.
- Assicurarsi che il meccanismo sia ben lubrificato.



- Schroef de handgrepen los totdat de as en schijf aan beide zijden vrij zijn van registers.
Als het mechanisme na gebruik krap is, kan een hendel in het gat in het handvat worden gestoken en worden gebruikt om het te bevrijden.
Gebruik geen sok op de as om ontgrendeling te bevorderen.
- Zorg dat de registers en de as / schijf schoon zijn en vrij zijn van vuil.
- Bepaal de diameter van de staalkabel die u wilt meten.
- Pas de gewenste positie aan door losschroeven, schuiven en vervolgens vastdraaien.
Hoogste positie: 22-25mm of 7/8 "tot 1" diameter.
Middenpositie: diameter 9-21 mm of 3/8 "tot 53/64".
Onderste positie (het dichtst bij het hoofdgedeelte): diameter van 5-8 mm of 3/16 "tot 5/16".
- Trek de hendel en schijf aan en zorg ervoor dat de uitlijning op de registers gebeurt.
- Zorg dat het mechanisme goed is gesmeerd.



- Отвинтите рукоятки, пока ось и шкив не будут свободны от регистров с обеих сторон.
Если механизм зажат после использования, то рычаг можно вставить в отверстие в ручке и использовать для его освобождения.
Не используйте гнездо на оси, чтобы облегчить выпуск.
- Убедитесь, что регистры и ось / шкив чисты и свободны от мусора.
- Определите диаметр троса, который вы хотите измерить.
- Отрегулируйте требуемое положение, открутив, сдвинув и затем затянув.
Верхнее положение: диаметр 22-25 мм или 7/8 "до 1".
Среднее положение: диаметр 9-21 мм или 3/8 "до 53/64".
Нижнее положение (ближе всего к основному корпусу): диаметр 5-8 мм или 3/16 "до 5/16".
- Затяните ручку и шкив, чтобы обеспечить выравнивание с регистрами.
- Убедитесь, что механизм хорошо смазан.





- Ξεβιδώστε τις λαβές μέχρι ο άξονας και η ροδέλα να είναι απαλλαγμένοι από καταχωρητές και στις δύο πλευρές. Εάν ο μηχανισμός είναι σφικτός μετά τη χρήση, τότε μπορεί να εισαχθεί ένας μοχλός στην οπή στη λαβή και να χρησιμοποιηθεί για να τον απελευθερώσει.
Μην χρησιμοποιείτε υποδοχή στον άξονα για να βοηθήσετε την απελευθέρωση.
- Βεβαιωθείτε ότι οι καταχωρητές και ο άξονας / τροχαλία είναι καθαροί και απαλλαγμένοι από συντρίμμια.
- Προσδιορίστε τη διάμετρο του συρματόσχοινου που θέλετε να μετρήσετε.
- Ρυθμίστε στην επιθυμητή θέση ξεβιδώνοντας, σύροντας και στη συνέχεια σφίγγοντας.
Κορυφή: 22-25mm ή 7/8 "έως 1".
Μέση θέση: 9-21mm ή 3/8 "έως 53/64".
Κατώτατη θέση (πλησιέστερη στο κύριο σώμα): Διάμετρος 5-8mm ή 3/16 "έως 5/16".
- Σφίξτε τη λαβή και την τροχαλία εξασφαλίζοντας την ευθυγράμμιση με τους καταχωρητές.
- Βεβαιωθείτε ότι ο μηχανισμός είναι καλά λιπασμένος.



- Skru håndtakene til aksel og skive er fri fra registre på begge sider.
Hvis mekanismen er stram etter bruk, kan en spak settes inn i hullet i håndtaket og brukes til å frigjøre det.
Ikke bruk en stikkontakt på akselen for å slippe ut.
- Sørg for at registre og aksel / skive er rene og fri for rusk.
- Identifiser diameteren på kablem du vill måle.
- Juster til ønsket posisjon ved å skru av, glide og deretter stramme.
Topposisjon: 22-25 mm eller 7/8 "till 1" diameter.
Mellomposisjon: 9-21 mm eller 3/8 "till 53/64" diameter.
Bunnposisjon (nærmest hoveddel): 5-8mm eller 3/16 "till 5/16" diameter.
- Stram håndtaket og skiven for å sikre justering til registre.
- Kontroller at mekanismen er godt smurt.



- Skruva loss handtagen tills axeln och skivan är fri från registren på båda sidor.
Om mekanismen är tätt efter användningen kan en spak sätts in i hålet i handtaget och användas för att frigöra det.
Använd inte ett uttag på axeln för att släppa ut.
- Se till att register och axel / skiva är rena och fria från skräp.
- Identifiera diametern på det trådtråd du vill mäta.
- Justera till önskat läge genom att skriva loss, glida och sedan dra åt.
Topposition: 22-25 mm eller 7/8 "till 1" diameter.
Mellanläge: 9-21 mm eller 3/8 "till 53/64" diameter.
Bottenposition (närmast huvudkroppen): 5-8 mm eller 3/16 "till 5/16" diameter.
- Dra åt handtaget och skivan, vilket garanterar anpassning till registren.
- Kontrollera att mekanismen är smurt.

- 擰下手柄，直到軸和滑輪兩側沒有套準。
如果机构在使用后紧固，则可以将杠杆插入手柄的孔中并用于释放它。
不要在轴上使用插座来帮助释放。
- 確保套準和軸/滑輪清潔且無碎屑。
- 確定要測量的鋼絲繩的直徑。
- 擰下，滑動然後擰緊，調整到所需位置。
頂部位置： 22-25mm 或 7/8" 至 1" 直徑。
中間位置： 9-21mm 或 3/8" 至 53/64" 直徑。
底部位置（最靠近主體）： 直徑 5-8mm 或 3/16" 至 5/16"。
- 擰緊手柄和滑輪，確保與套準對齊。
- 確保機械潤滑良好。

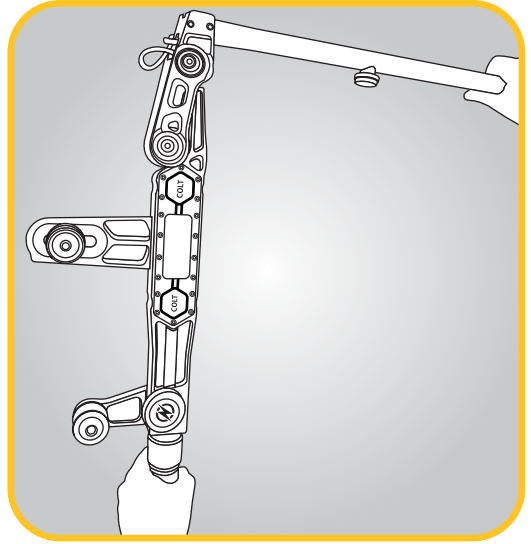
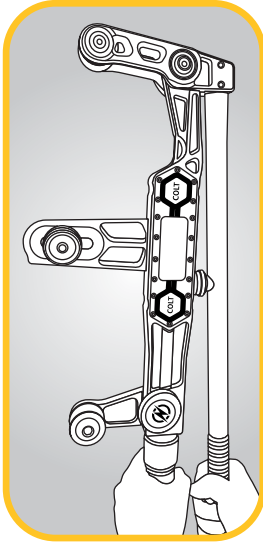
普通话

- فك المقابض حتى المحور و sheave خالية من السجلات على كلا الجانبين.
إذا كانت الآلية ضيقة بعد الاستخدام ، يمكن إدخال ذراع في الفتحة في المقبض واستخدامها لتحريره.
لا تستخدم مأخذ توصيل على المحور للمساعدة في الإصدار.
- تأكد من أن السجلات والمحاور / التشغيل نظيفة وخالية من الحطام.
- حدد قطر الحبل السلك الذي تريد قياسه.
- اضبط على الوضع المرغوب باستخدام مفك ، ثم انزلاق ثم شد.
أعلى موضع: 22-25mm أو قطر 7/8 "إلى 1".
الموضع الأوسط: قطر 9-21mm أو 3/8 بوصة إلى 53/64.
موضع القاع (الأقرب إلى الجسم الرئيسي): قطر 5-8mm أو 3/16 "إلى 5/16".
- قم بربط المقبض والتحكم لضمان محاذاة السجلات.
- ضمان آلية مشحم جيداً.

العربية

Using the COLT

Part No:
SU3714
Issue 2.1



Holding the two handles, open the COLT, so it is ready to accept a wire rope.

Maintenez les deux poignées et ouvrez le COLT de manière à ce qu'il soit prêt à recevoir un câble.

Halten Sie die beiden Griffe und öffnen Sie den COLT, damit er das Drahtseil aufnehmen kann.

Sujetando ambos mangos, abra el COLT y estará listo para aceptar un cable metálico.

Tenere le due maniglie, aprire il COLT, in modo che sia pronto ad accettare la fune metallica.

Houd de twee handgrepen vast en open de COLT, zodat hij geschikt is voor een kabel.

Удерживая COLT за обе ручки, раскройте его, чтобы подготовить прибор к измерению стального троса.

Κρατώντας τις δύο χειρολαβές, ανοίξτε το COLT, έτσι ώστε να είναι έτοιμο να δεχθεί ένα συρματόσχοινο.

Ved å holde de to håndtakene, åpne COLT-en slik at den er klar for å ta imot stålkabelen.

Håll i de två handtagen och öppna COLT så att den är redo att ta emot en vajer.

握住两个手柄，打开COLT，准备好接纳钢丝绳。



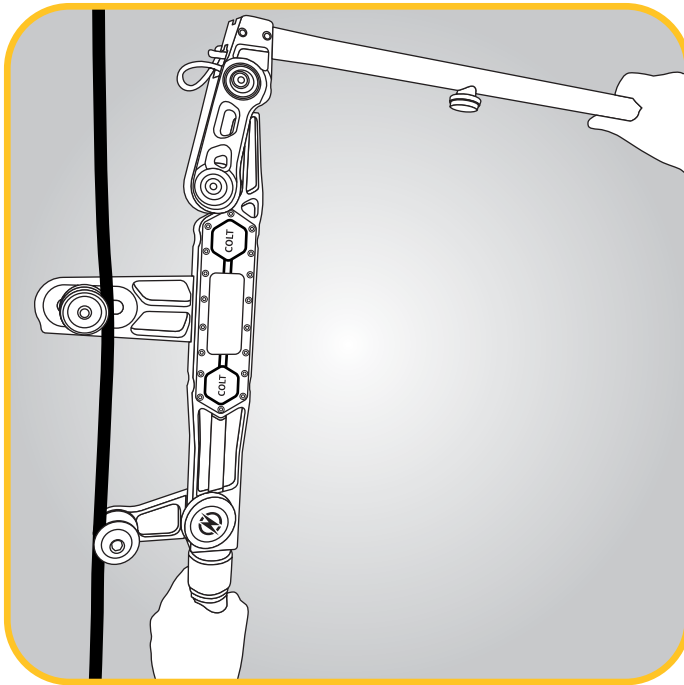
普通话

فتح COLT أثناء حمل المقبضين بحيث يكون مستعد لاستقبال حبل سلكي.
 العربية

Using the COLT

Part No:
 SU3714
 Issue 2.1

12



Now fit the COLT to the wire rope to be measured, take care to ensure the wire rope is correctly sitting in the guide sheaves.

À présent, installez le COLT sur le câble qui doit être mesuré, prenez soin de vous assurer que le câble repose correctement dans la poulie.

Bringen Sie den COLT jetzt am Drahtseil an, um zu messen. Achten Sie darauf, dass das Drahtseil richtig in der Seilrollenführung sitzt.

Luego, encaje el COLT en el cable metálico para medirlo. Asegúrese de que el cable metálico esté colocado correctamente en las poleas de guía.

Installare ora il COLT alla fune metallica da misurare e fare attenzione che questa sia correttamente posizionata nel fascio guida.

Bevestig de COLT nu aan de kabel die moet worden gemeten. Zorg dat de kabel goed in de geleiderschijven zit.

Наложите COLT на измеряемый стальной трос. Следите за тем, чтобы трос правильно располагался в направляющих роликках.

Προσαρμόστε τώρα το COLT στο σιματάοχοινο προς μέτρηση, φροντίζοντας αυτό να κάθεται σωστά στις τροχαλίες οδηγησης.

Tilpass COLT-en til stålkabelen som skal måles, pass på at stålkabelen er riktig plassert i løftesylinertrinsen.

Sätt nu COLT på vajern som skall mätas, se noga till att vajern är korrekt placerad i styrtrissorna.

现在将COLT安装到要测量的钢丝绳上，注意确保钢丝绳位于导向绳轮中正确位置。

الآن ناسب COLT مع الحبل السلكي ليتم قياسه، مع مراعاة أن تكون الحبل السلكية مربوطة بشكل صحيح في دليل البكرة.



普通话

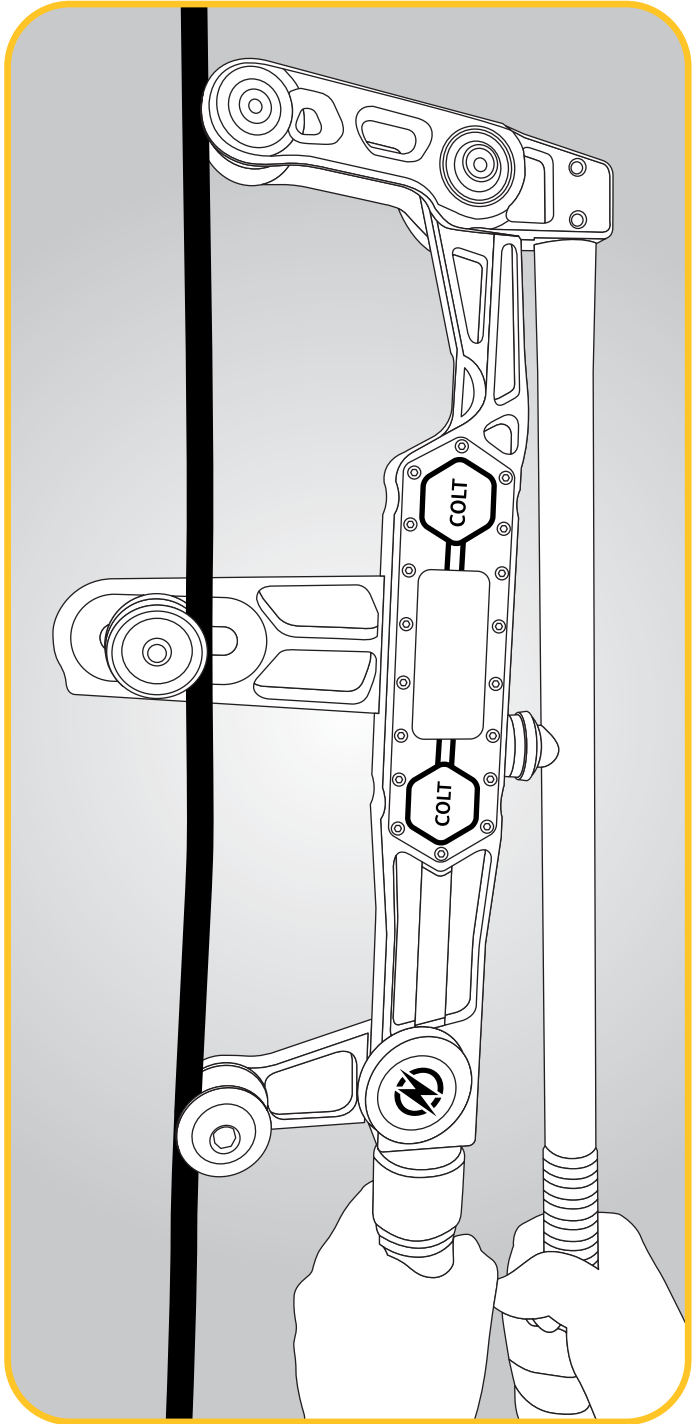
العربية

Using the COLT

Part No:
SU3714
Issue 2.1

Using the COLT

Part No:
SU3714
Issue 2.1



Close the COLT until the magnetic stop holds the handle in a closed position.



You can now measure and record tension using the COLT app.

Measure the tension on the COLT at least 3 times by clamping the wire rope on and off.
Please refer to <http://www.straightpoint.com/clamp-on-line-tensiometer> for instructions.

Refermez le COLT jusqu'à la butée magnétique et maintenez la poignée en position fermée.



Maintenant, vous pouvez mesurer et enregistrer la tension avec l'application COLT.

Veuillez consulter <http://www.straightpoint.com/clamp-on-line-tensiometer> pour les instructions.

Schließen Sie den COLT bis zum magnetischen Stopp und halten Sie den Griff in geschlossener Stellung.



Jetzt können Sie mit der COLT-App die Spannung messen und aufzeichnen.

Die Anleitung finden Sie hier: <http://www.straightpoint.com/clamp-on-line-tensiometer>

Cierre el COLT hasta la parada magnética y sujete el mango en posición cerrada.



Ahora ya puede medir y registrar la tensión usando la aplicación COLT.

Por favor, vaya a <http://www.straightpoint.com/clamp-on-line-tensiometer> para ver las instrucciones.

Chiudere il COLT fino al blocco della calamita e mantenere la maniglia in una posizione chiusa.



Ora è possibile misurare e registrare la tensione usando la app COLT.

Si prega di far riferimento a <http://www.straightpoint.com/clamp-on-line-tensiometer> per istruzioni.

Sluit de COLT tot de magnetische stop en houd de handgreep gesloten.



U kunt nu de spanning meten en registreren via de COLT-app.

Raadpleeg <http://www.straightpoint.com/clamp-on-line-tensiometer> voor instructies.

Закройте COLT до того положения, пока магнитный стопор не будет удерживать его в закрытом положении.



Теперь можно измерять и записывать значения натяжения с помощью приложения COLT.

Инструкцию по применению см. здесь: <http://www.straightpoint.com/clamp-on-line-tensiometer>.

Κλείστε το COLT μέχρι το μαγνητικό stop και κρατήστε τη χειρολαβή σε μια κλειστή θέση.



Μπορείτε τώρα να μετρήσετε και να καταγράψετε την ένταση με την εφαρμογή COLT.

Ανατρέξτε στη διεύθυνση <http://www.straightpoint.com/clamp-on-line-tensiometer> για οδηγίες.

Lukk COLT-en til magneten stopper og holder håndtaket i en lukket posisjon.



Du kan nå måle og registrere spenningen ved bruk av COLT-appen.

Rådfør deg med <http://www.straightpoint.com/clamp-on-line-tensiometer> for app-instruksjoner.

Stäng COLT tills den sluts magnetiskt och håller handtaget i stängd position.



Du kan nu mäta och registrera spänningen med COLT-appen.

Se <http://www.straightpoint.com/clamp-on-line-tensiometer> för instruktioner.

关闭COLT至磁性挡块，并将手柄保持在关闭位置。

普通话

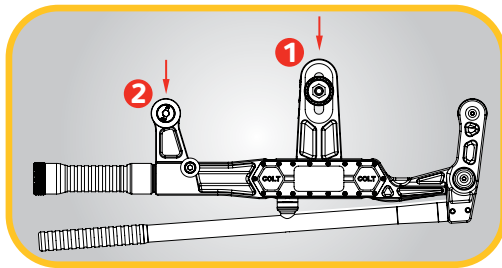
您现在可以使用COLT应用程序测量和记录张力。

请参阅<http://www.straightpoint.com/clamp-on-line-tensiometer>以获取说明。

إغلق COLT حتى توقف المغناطيس وأحمل المقبض وهو في وضع الغلق.

العربية

يمكنك الآن قياس وتسجيل التوتر باستخدام تطبيق COLT.
يرجى الرجوع إلى <http://www.straightpoint.com/clamp-on-line-tensiometer> لتعليمات التطبيق.



Adjustment mechanism ❶ and rear fixed sheave ❷ should be kept clean and well lubricated with Duck Oil.
All other moving components are sealed for the life of product and should only be maintained by Straightpoint.



These devices are sealed to IP67/NEMA6 standards.
The effects of solvent on the device can not be guaranteed, and should therefore be avoided.

Avoid use within 20-30 minutes of rapid changes in temperature, for example moving the device from a cold vehicle into a warm room.
The change in temperature can affect the accuracy of the device. The operating temperature is -10 to +50° C or 14 to 122° F.

Check that the load applied is within the working load limit of the device.
If it continues to display overload, contact your supplier.

Ces appareils sont scellés aux normes IP67/NEMA6.
Les effets de solvant sur l'appareil ne peuvent pas être garantis, et doivent donc être évités.



Évitez d'opérer sous 20-30 minutes de brusques changements de température, par exemple de déplacer l'appareil à partir d'un véhicule froid dans une pièce chaude. Le changement de température peut affecter la précision de l'appareil. La température de fonctionnement est de -10 à +50° C ou de 14 à 122° F.

Si l'écran affiche « OLOAd », retirez immédiatement la charge, car cela indique une situation de surcharge.
Vérifier que la charge appliquée est dans la limite du dispositif de charge de travail. Si elle continue à afficher une surcharge, contactez votre fournisseur.

Le mécanisme de réglage et la poulie fixe arrière doivent rester propres et bien lubrifiés avec de l'huile de canard (les pièces à graisser sont indiquées sur l'image).
Tous les autres composants mobiles sont scellés pour la durée de vie du produit et ne doivent être entretenus que par Straightpoint.

Diese Geräte sind nach IP67/NEMA6-Norm versiegelt.
Es besteht keine Garantie für Lösemittel-Auswirkungen an dem jeweiligen Gerät, daher sollten diese vermieden werden.



Vermeiden Sie die Nutzung innerhalb eines Zeitraumes von 20-30 Minuten, nachdem das Gerät deutliche Temperaturwechsel durchlaufen hat, etwa wenn es von einem kalten Auto in einen warmen Raum gebracht worden ist. Der Temperaturwechsel kann die Genauigkeit des Gerätes beeinflussen. Die Nutzungstemperatur beträgt -10 bis +50° C oder 14 bis 122° F.

Solte auf der Anzeige „OLOAd“ zu lesen sein, entfernen Sie umgehend die Last, da eine Überbelastungssituation signalisiert wird.
Überprüfen Sie, dass die Belastung innerhalb der Tragfähigkeit des Gerätes. Wenn es um eine Überlastung anzuzeigen weiter, kontaktieren Sie Ihren Lieferanten.
Der Einstellmechanismus und die hintere feste Scheibe sollten sauber gehalten und mit Duck Oil gut geschmiert werden (zu schmierende Teile sind in der Abbildung dargestellt).

Alle anderen beweglichen Teile sind für die gesamte Lebensdauer des Produkts versiegelt und sollten nur von Straightpoint gewartet werden.

Estos dispositivos están sellados según las normas IP67/NEMA6.
Las consecuencias de una inmersión no pueden garantizarse y se debe, por tanto, evitar.



Evite su uso en 20-30 minutos en cambios rápido de temperatura, por ejemplo al pasar el dispositivo de un vehículo frío a una habitación caliente. El cambio de temperatura puede afectar a la precisión del dispositivo. La temperatura de funcionamiento es de -10 a +50° C o de 14 a 122° F.

Si aparece en la pantalla "OLOAd", retire la carga inmediatamente ya que hay una sobrecarga.
Compruebe que la carga aplicada está dentro del límite de carga de trabajo del dispositivo. Si se sigue mostrando la sobrecarga, póngase en contacto con su proveedor.

El mecanismo de ajuste y la polea trasera fija se deben mantener limpios y bien lubricados con aceite de pato (las partes a lubricar se muestran en la imagen).
Todos los demás componentes móviles están sellados por la vida del producto y solo deben ser mantenidos por Straightpoint.

Questi dispositivi sono sigillati secondo lo standard IP67/NEMA6.
Gli effetti del solvente sul dispositivo non possono essere garantiti e quindi dovrebbe essere evitato.



Evitare l'uso entro 20-30 minuti di cambiamenti rapidi di temperatura, per esempio quando si muove il dispositivo da un veicolo freddo in una stanza calda. La variazione della temperatura può influire sull'accuratezza del dispositivo. La temperatura operativa è nell'intervallo da -10 a +50° C o da 14 a 122° F.

Se il display mostra "OLOAd" rimuovere immediatamente il carico perché indica una situazione di sovraccarico.
Verificare che il carico applicato è entro il limite di carico di lavoro del dispositivo. Se si continua a visualizzare sovraccarico, contattare il proprio fornitore.

Il meccanismo di regolazione e la puleggia posteriore fissa devono essere mantenuti puliti e ben lubrificati con Duck Oil (le parti da lubrificare sono mostrate nell'immagine).
Tutti gli altri componenti mobili sono sigillati per la vita del prodotto e devono essere mantenuti solo da Straightpoint.

De behuizing van deze apparaten zijn afgesloten overeenkomstig de IP67-classificatie/NEMA6-norm.

De effecten van oplosmiddelen op het toestel kunnen niet worden gegarandeerd en dienen derhalve te worden voorkomen.



Voorom gebruik binnen 20 – 30 minuten na een snelle temperatuurverandering, bijvoorbeeld door het toestel van een koud voertuig te verplaatsen naar een verwarmde ruimte. De temperatuurverandering kan de accurate van het toestel beïnvloeden. De gebruikstemperatuur is 10 tot +50° C of 14 tot 122° F.

Mocht de display geven "OLOAd" verwijder de last onmiddellijk als dit wijst op een overbelasting.

Controleer of de toegepaste belasting binnen de werklust maximum van de apparatuur. Als het blijft overbelasting geven, neem dan contact op met uw leverancier.

Het afstelmechanisme en de achterste vaste schijf moeten schoon worden gehouden en goed worden gesmeerd met Duck Oil (onderdelen die moeten worden gesmeerd worden getoond in de afbeelding).

Alle andere bewegende onderdelen zijn afgedicht gedurende de levensduur van het product en mogen alleen door Straightpoint worden onderhouden.

Данные устройства герметичны в соответствии с требованиями стандартов IP67/NEMA6.

Невозможно гарантировать положительный эффект от воздействия растворителей на устройство, поэтому не следует допускать их контакта.



Не эксплуатируйте устройство в течение 20-30 минут после резкого перепада температур, например, после переноса устройства из холодного автомобиля в теплую комнату. Перепад температур может снизить точность измерений. Диапазон рабочих температур составляет от -10 до +50°С (от 14 до 122°F).

При появлении на дисплее надписи «OLOAd» немедленно снимите нагрузку.

Убедитесь, что нагрузка, приложенная находится в пределах рабочей нагрузки устройства. Если так будет продолжаться, чтобы отобразить перегрузку, обратитесь к поставщику.

Механизм регулировки и задний фиксированный шкив должны быть чистыми и хорошо смазаны утиным маслом (детали, подлежащие смазке, показаны на изображении).

Все остальные подвижные компоненты герметизированы для срока службы продукта и должны поддерживаться только Straightpoint.

Οι συσκευές αυτές σφραγίζονται σύμφωνα με τα πρότυπα IP67/NEMA6.

Η επίδραση διαλύτη στη συσκευή δεν είναι εγγυημένη και θα πρέπει αποφεύγεται.



Αποφύγετε τη χρήση εντός 20-30 λεπτών γρήγορων μεταβολών θερμοκρασίας, για παράδειγμα, μετακινώντας τη συσκευή από ένα παγωμένο όχημα σε ένα ζεστό δωμάτιο. Η αλλαγή θερμοκρασίας μπορεί να επηρεάσει την ακρίβεια της συσκευής. Η θερμοκρασία λειτουργίας είναι 10 έως +50° C ή 14 έως 122° F.

Αν εμφανιστεί η ένδειξη "OLOAd" στην οθόνη, αφαιρέστε άμεσα το φορτίο, καθώς αυτή υποδεικνύει μία συνθήκη υπερφόρτωσης.

Βεβαιωθείτε ότι το φορτίο που εφαρμόζεται είναι εντός του ορίου φορτίου λειτουργίας της συσκευής. Εάν εξακολουθεί να εμφανίζεται υπερφόρτωση, επικοινωνήστε με τον προμηθευτή σας.

Ο μηχανισμός ρύθμισης και η πίσω σταθερή τροχαλία πρέπει να διατηρούνται καθαρά και να λιπαίνονται καλά με λάδι Duck (τα στοιχεία που πρόκειται να λιπαίνονται φαίνονται στην εικόνα).

Όλα τα υπόλοιπα κινούμενα εξαρτήματα σφραγίζονται για τη διάρκεια ζωής του προϊόντος και πρέπει να διατηρούνται μόνο από το Straightpoint.

Disse enhetene er tette etter IP67/NEMA6 standardene.

Effektene av løsningsmidler på utstyret kan ikke garanteres og skal derfor unngås.



Unngå bruk innenfor 20-30 minutter med hurtige endringer i temperatur, for eksempel ved å flytte utstyret fra en kald bil til et varmt rom. Endringen i temperatur kan påvirke nøyaktigheten av utstyret. Driftstemperaturen er -10 til +50° C eller 14 til 122° F.

Skulle skjermen vise "OLOAd", fjern lasten umiddelbart, da dette indikerer en overbelastningssituasjon.

Kontroller at gjeldende last er innen arbeidsbelastningsgrensen til enheten. Hvis skjermen fortsetter å indikere overbelastning, ta kontakt med forhandleren din.

Justeringsmekanismen og den bakre faste skiven skal holdes ren og godt smurt med Duck Oil (deler som skal smøres vises i bildet).

Alle andre bevegelige komponenter er forsejlet for produktets levetid og skal bare opprettholdes av Straightpoint.

Dessa enheter är förseglade i enlighet med reglerna för IP67/NEMA6.

Effekterna av lösningsmedel på enheten kan inte garanteras och bör därför undvikas.



Undvik att använda 20-30 minuter efter snabba temperaturförändringar, t.ex. om enheten har flyttats från ett kallt fordon till ett varmt rum. Temperaturförändringar kan påverka enhetens noggrannhet. Drifttemperaturen är -10 till +50° C eller 14 till 122° F.

Avlägsna omedelbart lasten om det står "OLOAd" på skärmen eftersom detta indikerar en överbelastning.

Kontrollera att den belastning som anbringas är inom maxlasten av anordningen. Om det fortsätter att visa överbelastning, kontakta din leverantör.

Justeringsmekanismen och den bakre fastskivan ska hållas rena och väl smordas med Duck Oil (deler som ska smöras visas i bilden).

Alle andre rörlige komponenter är forseglade for produktets livslängd og bør endast bibeholdes av Straightpoint.

这些设备均按照 IP67/NEMA6 标准密封。

目前还无法保证溶剂对设备不产生影响，因此要避免接触此类物质。

普通话

应避免使设备在短时间内 (20-30 分钟) 经历剧烈的环境温度变化，比如将设备从温度较低的运输车辆内移至温暖的室内环境。环境温度变化会影响计量的准确性。设备的工作温度范围为 -10 到 +50° C (14 到 122° F)。

如果显示屏出现 "OLOAd" 字样，说明设备已经过载，应立即卸下负荷物。

檢查應用負載設備的工作負荷極限內。如果繼續顯示過載，請聯繫您的供應商。

调节机构和后固定滑轮应保持清洁，并用鸭油润滑良好（待润滑的部件如图所示）。

所有其他移动部件在产品寿命期间都是密封的，只能由 Straightpoint 维护。

IP67/NEMA6. هذه الأجهزة مطابقة لمعايير المعايير.

تأثيرات المادة المتبينة على الجهاز غير مأمونة ولذا يجب تجنبها.

العربية

تجنب الاستخدام خلال 20 إلى 30 دقيقة من التغيرات السريعة في درجة الحرارة، على سبيل المثال نقل الجهاز من مركبة باردة إلى غرفة دافئة.

تجنب في درجة الحرارة قد يؤثر على دقة الجهاز. درجة حرارة التشغيل هي -10 إلى +50 سلتزيوس أو 14 إلى 122 فهرنهايت.

إذا ظهرت الشاشة "OLOAd" (حمولة زائدة)، أزل الحمولة على الفور لأن هذه الرسالة تشير إلى زيادة الحمل.

تأكد من أن الحمل المطلق هو في حدود حمولة عمل الجهاز. إذا كان لا يزال لعرض الزائد، اتصل المورد الخاص بك.

يجب أن تبقى آلية الضبط والشد الثابتة الخلفية نظيفة ومزيتة جيداً بزيت البط (تظهر الأجزاء المراد تشحيمها في الصورة).

يتم ختم جميع المكونات المتحركة الأخرى لحياة المنتج ويجب الحفاظ عليها فقط بواسطة نقطة الوصول.

Straightpoint (UK) Ltd warranty this product against malfunction for a period of one year from manufacture.

Conditions of warranty:

- 1) The equipment is used as described exactly in the operators manual supplied.
- 2) Whilst we make every effort to ensure each device is calibrated before despatch, Straightpoint (UK) Ltd do not accept responsibility for inaccurate readings indicated by this equipment.
- 3) In the event of malfunction, the device is returned to the manufacturer.
- 4) Straightpoint (UK) Ltd, Unit 9 Dakota Park, Havant, Hampshire, UK, PO9 2NJ.
- 5) If we consider any malfunction to be caused by misuse, this warranty is void and any repair will be charged for accordingly.



Straightpoint (UK) Ltd garantie ce produit contre tout défaut de fonctionnement pour une période d'un an à compter de fabrication.

Conditions de garantie:

- 1) L'équipement est utilisé comme décrit exactement dans le manuel d'utilisation fourni.
- 2) Tandis que nous faisons tous les efforts possibles pour s'assurer que chaque appareil est étalonné avant expédition, Straightpoint (UK) Ltd ne peut être tenue responsable des lectures inexactes indiquées par cet appareil.
- 3) En cas de dysfonctionnement, l'appareil est retourné au fabricant.
- 4) Straightpoint (UK) Ltd, Unit 9 Dakota Park, Havant, Hampshire, UK, PO9 2NJ.
- 5) Tout dysfonctionnement causé par une mauvaise utilisation annule la garantie et la réparation sera facturée en conséquence.



Straightpoint (UK) Ltd übernimmt für den Zeitraum von einem Jahr ab Herstellung in Bezug auf Störungen die Garantie für dieses Produkt.

Garantiebedingungen:

- 1) Das Produkt wird exakt so genutzt, wie im gelieferten Bedienungshandbuch beschrieben.
- 2) Obwohl wir alle Anstrengungen unternehmen, um zu gewährleisten, dass jedes Gerät vor Auslieferung geeicht ist, übernimmt Straightpoint (UK) Ltd keine Verantwortung für ungenaue Werte, die durch das jeweilige Gerät angezeigt werden.
- 3) Im Falle von Störungen ist das Gerät zurück an den Hersteller zu senden.
- 4) Straightpoint (UK) Ltd, Unit 9 Dakota Park, Havant, Hampshire, UK, PO9 2NJ.
- 5) Sind wir der Auffassung, dass Störungen durch unsachgemäße Anwendung verursacht worden sind, ist diese Garantie unwirksam und jede Instandsetzung wird entsprechend berechnet.



Straightpoint (UK) Ltd garantiza este producto ante un mal funcionamiento durante un año a partir de su fabricación.

Condiciones de la garantía:

- 1) El material se utilizó tal y como se describe en el manual de usuario facilitado.
- 2) Dado que hacemos todo lo posible por calibrar el dispositivo antes de que se distribuya, Straightpoint (UK) Ltd no acepta responsabilidad alguna por interpretaciones inexactas de lo indicado en este material.
- 3) En caso de mal funcionamiento, devuelve el dispositivo al fabricante a la siguiente dirección:
- 4) Straightpoint (UK) Ltd, Unit 9 Dakota Park, Havant, Hampshire, UK, PO9 2NJ.
- 5) Si consideramos que el mal funcionamiento se debe a un uso inadecuado, se anula la garantía y se cobrará cualquier reparación realizada.



Straightpoint (UK) Ltd garantisce il presente prodotto dal malfunzionamento per un periodo di un anno dalla fabbricazione.

Le condizioni della garanzia:

- 1) L'apparecchiatura viene utilizzata esattamente come descritto nel manuale operatori in dotazione.
- 2) Anche se ci impegniamo per assicurare che ogni dispositivo venga calibrato prima della spedizione, Straightpoint (UK) Ltd non accetta la responsabilità per letture non accurate indicate dalla presente apparecchiatura.
- 3) In caso di malfunzionamento il dispositivo viene restituito al produttore.
- 4) Straightpoint (UK) Ltd, Unit 9 Dakota Park, Havant, Hampshire, UK, PO9 2NJ.
- 5) Qualora dovessimo considerare che il malfunzionamento è causato da un uso improprio questa garanzia decade e tutti gli interventi di riparazione verranno addebitati di conseguenza.



Straightpoint (UK) Ltd geeft een garantie tegen defecten op dit product voor de duur van één jaar na productie.

Garantievoorwaarden:

- 1) Het toestel wordt precies gebruikt als beschreven in de gebruikershandleiding als meegeleverd met het product.
- 2) Hoewel we alles in het werk stellen om ervoor te zorgen dat elk apparaat voor verzending is gekalibreerd, aanvaardt Straightpoint (UK) Ltd geen verantwoordelijkheid voor een onjuiste waarde, aangegeven door dit toestel.
- 3) In het geval van defecten wordt het toestel gerepareerd naar de fabrikant:
- 4) Straightpoint (UK) Ltd, Unit 9 Dakota Park, Havant, Hampshire, UK, PO9 2NJ.
- 5) Indien we constateren dat het defect wordt veroorzaakt door misbruik, is deze garantie niet van toepassing en zal reparatie van het toestel dienovereenkomstig worden voorbereidend aan de gebruiker.



Компания Straightpoint (UK) Ltd предоставляет гарантию на данное изделие в течение одного года с даты выпуска.

Условия предоставления гарантийного обслуживания:

- 1) Оборудование должно использоваться строго в соответствии с описанием, приведенном в настоящем руководстве по эксплуатации.
- 2) Не смотря на то, что перед отправкой все устройства калибруются, компания Straightpoint (UK) Ltd не несет ответственности за последствия неточных показаний, полученных с помощью данного изделия.
- 3) В случае неисправности изделие должно быть возвращено производителю по адресу:
- 4) Straightpoint (UK) Ltd, Unit 9 Dakota Park, Havant, Hampshire, UK, PO9 2NJ.
- 5) Если неисправность вызвана ненадлежащей эксплуатацией, производитель снимает с себя гарантийные обязательства, при этом стоимость ремонта изделия подлежит оплате покупателем.



H Straightpoint (UK) Ltd παρέχει εγγύηση έναντι περιπτώσεων δυσλειτουργίας του προϊόντος για μία περίοδο ενός έτους από την κατασκευή.

Συνθήκες εγγύησης:

- 1) Ο εξοπλισμός χρησιμοποιείται όπως περιγράφεται ακριβώς στο παρεχόμενο εγχειρίδιο χειριστή.
- 2) Ενώ καταβάλλουμε κάθε προσπάθεια για τη διασφάλιση της βελτιστοποίησης κάθε συσκευής πριν την αποστολή, η Straightpoint (UK) Ltd δεν αναλαμβάνει καμία ευθύνη για ανακριβείς ενδείξεις που υποδεικνύουν ο έσφαλός.
- 3) Στην περίπτωση δυσλειτουργίας, η συσκευή επιστρέφεται στον κατασκευαστή:
- 4) Straightpoint (UK) Ltd, Unit 9 Dakota Park, Havant, Hampshire, UK, PO9 2NJ.
- 5) Αν κρίνουμε ότι οποιοδήποτε δυσλειτουργία οφείλεται σε κακή χρήση, η εγγύηση ακυρώνεται και κάθε επισκευή θα επιβληθεί αντίστοιχο χρέωση.



Straightpoint (UK) Ltd garanterer dette produktet mot maskinsvikt for en periode på ett år etter produksjon.

Garantibetingelser:

- 1) Utstyret er brukt nøyaktig som beskrevet i brukerhåndboken som er levert.
- 2) Selv om vi forsøker å sikre at hvert utstyr er kalibrert før forsendelse, vil ikke Straightpoint (UK) Ltd påta seg noe ansvar for unøyaktige avlesninger indikert av dette utstyret.
- 3) I tilfelle av maskinsvikt, er utstyret returnert til produsenten:
- 4) Straightpoint (UK) Ltd, Unit 9 Dakota Park, Havant, Hampshire, UK, PO9 2NJ.
- 5) Om vi anser et felles maskinsvikt er forårsaket av misbruk er denne garantien ugyldiggjort og alle reparasjonskostnader vil bli beregnet i samsvar med dette.



c garantirer att denna produkt fungerar utan fel i en period av ett år efter tillverkningen.

Garantivillkor:

- 1) Utrustningen används enligt den utfärliga beskrivningen i medföljande bruksanvisning.
- 2) Även om vi gör vårt bästa för att se till att varje enhet är kalibrerad före leverans ansvarar Straightpoint (UK) Ltd inte för felaktiga avläsningar som utförs av denna utrustning.
- 3) Vid fel returneras enheten till tillverkaren:
- 4) Straightpoint (UK) Ltd, Unit 9Dakota Park, Havant, Hampshire, UK, PO9 2NJ.
- 5) Om vi anser ett fel har orsakats av felaktig användning är denna garanti ogiltig och alla reparationer kommer då att debiteras.



速得（英国）有限公司为其产品提供为期一年（1）年的功能质保，质保期自制造日期起生效。

具体的质保要求如下:

- 1) 设备的使用应严格遵守本使用手册的各项规定。
- 2) 速得（英国）有限公司已尽力确保每台设备在发货前都经过校准测试，对于设备显示读数不准确的情况，速得（英国）有限公司不承担任何责任。
- 3) 如果设备发生故障，请将其退回给制造商， 邮寄地址: Straightpoint (UK) Ltd, Unit 9 Dakota Park, Havant, Hampshire, UK, PO9 2NJ.
- 4) 如果速得认为设备故障是由客户使用不当造成的，客户无法享受此质保服务，速得不承担任何相应的维修费用。

普通话

تضمن Straightpoint (UK) Ltd الجهاز ضد الأعطال لمدة سنة من تاريخ الصنع.

شروط الضمان

- 1) استخدام الجهاز بنفس الطريقة المبنية في دليل المشغل.
- 2) بينما نأخذ كل ما يمكننا من أجل ضمان معايرة كل جهاز قبل شحنه، فإننا لا نقبل أي مسؤولية عن أي أخطاء خلقة تظهر للجهاز (المعدة).
- 3) في حالة تعطل الجهاز، نرجو إعادته إلى المصنع.
- 4) Straightpoint (UK) Ltd, Unit 9Dakota Park, Havant, Hampshire, UK, PO9 2NJ.
- 5) إذا كان العطل ناتجاً عن سوء الاستخدام، يصبح هذا الضمان لاغياً ويبدأ عليه سيتم فرض رسوم على التصليح.

العربية

Straightpoint (UK) Ltd warranty this product against malfunction for a period of two years from manufacture. Conditions of warranty:



- 1) The equipment is used as described exactly in the operators manual supplied.
- 2) Whilst we make every effort to ensure each device is calibrated before despatch, Straightpoint (UK) Ltd do not accept responsibility for inaccurate readings indicated by this equipment.
- 3) In the event of malfunction, the device is returned to the manufacturer: Straightpoint (UK) Ltd, Unit 9 Dakota Park, Havant, Hampshire, UK, PO9 2NJ.
- 4) If we consider any malfunction to be caused by misuse, this warranty is void and any repair will be charged for accordingly.

Straightpoint (UK) Ltd garantit ce produit contre tout dysfonctionnement pour une période de deux ans à compter de la date de fabrication. Conditions de garantie:



- 1) L'équipement est utilisé comme décrit exactement dans le manuel d'utilisation fourni.
- 2) Tandis que nous faisons tous les efforts possibles pour s'assurer que chaque appareil est étalonné avant expédition, Straightpoint (UK) Ltd ne peut être tenue responsable des lectures inexactes indiquées par cet appareil.
- 3) En cas de dysfonctionnement, l'appareil est retourné au fabricant: Straightpoint (UK) Ltd, Unit 9 Dakota Park, Havant, Hampshire, UK, PO9 2NJ.
- 4) Tout dysfonctionnement causé par une mauvaise utilisation annulera la garantie et la réparation sera facturée en conséquence.

Straightpoint (UK) Ltd deckt dieses Produkt mit einer Garantie von zwei Jahren ab Herstellungsdatum gegen Ausfälle ab. Garantiebedingungen:



- 1) Das Produkt wird exakt so genutzt, wie im gelieferten Bedienungshandbuch beschrieben.
- 2) Obwohl wir alle Anstrengungen unternehmen, um zu gewährleisten, dass jedes Gerät vor Auslieferung geeicht ist, übernimmt Straightpoint (UK) Ltd keine Verantwortung für ungenaue Werte, die durch das jeweilige Gerät angezeigt werden.
- 3) Im Falle von Störungen ist das Gerät zurück an den Hersteller zu senden: Straightpoint (UK) Ltd, Unit 9 Dakota Park, Havant, Hampshire, UK, PO9 2NJ.
- 4) Sind wir der Auffassung, dass Störungen durch unsachgemäße Anwendung verursacht worden sind, ist diese Garantie unwirksam und jede Instandsetzung wird entsprechend berechnet.

Straightpoint (UK) Ltd garantiza este producto frente a mal funcionamiento durante dos años desde su fabricación. Condiciones de la garantía:



- 1) El material se utiliza tal y como se describe en el manual de usuario facilitado.
- 2) Dado que hacemos todo lo posible por calibrar el dispositivo antes de que se distribuya, Straightpoint (UK) Ltd no acepta responsabilidad alguna por interpretaciones inexactas de lo indicado en este material.
- 3) En caso de mal funcionamiento, devuelva el dispositivo al fabricante a la siguiente dirección: Straightpoint (UK) Ltd, Unit 9 Dakota Park, Havant, Hampshire, UK, PO9 2NJ.
- 4) Si consideramos que el mal funcionamiento se debe a un uso inadecuado, se anula la garantía y se cobrará cualquier reparación realizada.

Straightpoint (UK) Ltd garantisce questo prodotto contro il malfunzionamento per un periodo di due anni dalla produzione. Le condizioni della garanzia:



- 1) L'apparecchiatura viene utilizzata esattamente come descritto nel manuale operatori in dotazione.
- 2) Anche se ci impegniamo per assicurarci che ogni dispositivo venga calibrato prima della spedizione, Straightpoint (UK) Ltd non accetta la responsabilità per letture non accurate indicate dalla presente apparecchiatura.
- 3) In caso di malfunzionamento il dispositivo viene restituito al produttore: Straightpoint (UK) Ltd, Unit 9 Dakota Park, Havant, Hampshire, UK, PO9 2NJ.
- 4) Qualora dovessimo considerare che il malfunzionamento è causato da un uso improprio questa garanzia decade e tutti gli interventi di riparazione verranno addebitati di conseguenza.

Straightpoint (UK) Ltd biedt gedurende een periode van twee jaar vanaf de productiedatum een garantie tegen productfouten. Garantievoorwaarden:



- 1) Het toestel wordt precies gebruikt als beschreven in de geleverde handleiding als meegeleverd met het product.
- 2) Hoewel we alles in het werk stellen om ervoor te zorgen dat elk apparaat voor verzending is gekalibreerd, aanvaardt Straightpoint (UK) Ltd geen verantwoordelijkheid voor een onjuiste waarde, gegeven door dit toestel.
- 3) In het geval van defecten wordt het toestel teruggezonden naar de fabrikant: Straightpoint (UK) Ltd, Unit 9 Dakota Park, Havant, Hampshire, UK, PO9 2NJ.
- 4) Indien we constateren dat het defect wordt veroorzaakt door misbruik, is deze garantie niet van toepassing en zal reparatie van het toestel dienovereenkomstig worden doorberekend aan de gebruiker.

Straightpoint (UK) Ltd даёт гарантию исправности изделия на два года, начиная с даты изготовления. Условия предоставления гарантийного обслуживания:



- 1) Оборудование должно использоваться строго в соответствии с описанием, приведенном в настоящем руководстве по эксплуатации.
- 2) Не смотря на то, что перед отправкой все устройства калибруются, компания Straightpoint (UK) Ltd не несет ответственности за последствия неточных показаний, полученных с помощью данного изделия.
- 3) В случае неисправности изделие должно быть возвращено производителю по адресу: Straightpoint (UK) Ltd, Unit 9 Dakota Park, Havant, Hampshire, UK, PO9 2NJ.
- 4) Если неисправность вызвана ненадлежащей эксплуатацией, производитель снимает с себя гарантийные обязательства, при этом стоимость ремонта изделия подлежит оплате покупателем.

H Straightpoint (UK) Ltd παρέχει εγγύηση για δυο έτη από την ημερομηνία παραγωγής του προϊόντος για χρωματικό διάστημα δύο ετών από την κατασκευή.



- 1) Ο εξοπλισμός χρησιμοποιείται όπως περιγράφεται ακριβώς στο παρεχόμενο εγχειρίδιο χειριστή.
- 2) Ενώ καταβάλουμε κάθε προσπάθεια για τη διασφάλιση της βελτιστοποίησης κάθε συσκευής πριν την αποστολή, η Straightpoint (UK) Ltd δεν αναλαμβάνει καμία ευθύνη για ανακριβείς ενδείξεις που υποδεικνύει ο εξοπλισμός.
- 3) Στην περίπτωση δυσλειτουργίας ή σκουερής επιστρέφεται στον κατασκευαστή: Straightpoint (UK) Ltd, Unit 9 Dakota Park, Havant, Hampshire, UK, PO9 2NJ.
- 4) Αν κρίνουμε ότι οποιαδήποτε δυσλειτουργία οφείλεται σε κακή χρήση, η εγγύηση ακυρώνεται και κάθε επόκληση θα επιφέρει αντίστοιχη χρέωση.

Straightpoint (UK) Ltd garanterer dette produktet mot funksjonsfeil i en periode på to år fra produksjon. Garantibetingelser:



- 1) Utstyret er brukt nøyaktig som beskrevet i brukerhåndboken som er levert.
- 2) Selv om vi forsøker å sikre at hvert utstyr er kalibrert før forsendelse, vil ikke Straightpoint (UK) Ltd påta seg noe ansvar for unøyaktige avlesninger indikert av dette utstyret.
- 3) I tilfelle av maskinskift, er utstyret returnert til produsenten: Straightpoint (UK) Ltd, Unit 9 Dakota Park, Havant, Hampshire, UK, PO9 2NJ.
- 4) Om vi anser at en maskinskift er forårsaket av misbruk er denne garantien ugyldiggjort og alle reparasjonskostnader vil bli beregnet i samsvar med dette.

Straightpoint (UK) Ltd lämnar garanti på denna produkt för funktionsfel under en period av två år från tillverkningsdatumet. Garantivillkor:



- 1) Utrustningen används enligt den utfärliga beskrivningen i medföljande bruksanvisning.
- 2) Även om vi gör allt vi kan för att se till att varje enhet är kalibrerad före leverans ansvarar Straightpoint (UK) Ltd inte för felaktiga avläsningar som utfärs av denna utrustning.
- 3) Vid fel returneras enheten till tillverkaren: Straightpoint (UK) Ltd, Unit 9 Dakota Park, Havant, Hampshire, UK, PO9 2NJ.
- 4) Om vi anser att ett fel har orsakats av felaktig användning är denna garanti ogiltig och alla reparationer kommer då att debiteras.

Straightpoint (UK) Ltd 保证本产品自生产之后两年内不会发生故障。



- 具体的质保要求如下:
- 1) 设备的使用应严格遵守本使用手册的各项规定。
 - 2) 速得 (英国) 有限公司已尽力确保每台设备在发货前都经过校准测试。对于设备显示读数不准确的情况, 速得 (英国) 有限公司不承担任何责任。
 - 3) 如果设备发生故障, 请将其退回制造商。 邮寄地址: Straightpoint (UK) Ltd, Unit 9 Dakota Park, Havant, Hampshire, UK, PO9 2NJ.
 - 4) 如果速得认为设备故障是由客户使用不当造成的, 客户方无法享受此质保服务, 速得不承担任何相应的维修费用。

شركة Straightpoint (UK) Ltd تضمن هذا المنتج ضد العطل لمدة سنتين من التصنيع. شروط الضمان:

- 1) استخدام الجهاز بنفس الطريقة البسيطة في دليل التشغيل.
- 2) بينما نتخذ كل الجهود الممكنة لضمان معايرة كل جهاز قبل شحنه، فإننا لا نقبل أي مسؤولية عن أي قراءات خاطئة تشير إليها المعدة.
- 3) في حالة تعطل الجهاز، ونحن نعدته إلى المصنع.
- 4) إذا كان العطل ناتجاً عن سوء الاستعمال، يصبح هذا الضمان لا مبرراً ولا يغطي عيوبه ضمن رسوم على التصليح.

Straightpoint (UK) Ltd, Unit 9 Dakota Park, Havant, Hampshire, UK, PO9 2NJ

العربية

Part No: SU3714 Issue 2.1

19

Warranty



To ensure proper functioning and safe operation, please read this manual carefully before setting up or operating the COLT Clamp On Line Tensionmeter.



The following definitions apply to the terms "Warning" and "Caution"
"Warning" identifies conditions that may cause hazards to the user.
"Caution" identifies conditions and actions that may damage the COLT
Follow all safety guidelines specified in this User Manual.

WARNINGS

The COLT should only be used by trained personnel.
DO NOT use the COLT for any application other than for measuring/checking wire rope tension. Any other use of the COLT may cause unknown hazards to the user.
The COLT must only be used as a hand-held device.
DO NOT use the COLT in environments other than those specified in this User Manual
This device is NOT designed for use in explosive atmospheres.
Ensure batteries are correctly fitted as detailed in this User Manual, particularly, that the correct polarity is observed.
Wear appropriate personal protection equipment when operating, repairing, or overhauling this tool.
Keep hair, fingers and loose clothing away from moving parts of the tool.
Inspect the instrument for damage before each use. Look for damaged sheaves or missing parts. DO NOT use the instrument if it appears damaged or operates abnormally.
DO NOT modify the tool in any way. Modification will make void any applicable warranties and could result in damage to the tool or physical injury to the user
Before applying pressure to the wire rope being tested, ensure that you have a firm footing and that the surface on which you are standing is stable. Take extra care if the surface is wet or slippery. Apply steady pressure to the handles of the COLT, using both hands, until the handles reach the closed position at the magnetic stop.
When using at height, ensure that that the COLT is tethered to a fixed point or to the user to avoid damage injury if dropped.

CAUTION

The COLT is a precision instrument and although it has been designed for optimum durability and trouble free operation, it must be handled with care. Wherever practicable, keep the COLT in its case during storage and transportation. When not in use, keep the COLT in its case.
Ensure the COLT is cleaned and dried, after use. Remove any dust, grit and dirt from the sheaves and other moving parts.
Avoid dropping the COLT. This may cause damage and prevent proper operation.

Pour garantir un bon fonctionnement et une utilisation en toute sécurité, veuillez lire ce manuel attentivement avant d'installer ou de faire fonctionner le tensiromètre serre câble COLT.



Les définitions suivantes s'appliquent aux termes « Avertissement » et « Attention ».
« Avertissement » identifie les conditions qui peuvent entraîner des dangers pour l'utilisateur.
« Attention » identifie les conditions et actions pouvant endommager le COLT.
Suivez toutes les instructions de sécurité spécifiées dans ce Manuel de l'utilisateur.

AVERTISSEMENTS

Le COLT doit être utilisé uniquement par du personnel formé.
NE PAS utiliser le COLT pour toute application autre que la mesure/le contrôle de tension de câble. Toute autre utilisation du COLT peut entraîner des dangers inconnus pour l'utilisateur.
Le COLT doit uniquement être utilisé comme un dispositif manuel.
N'utilisez PAS le COLT dans des environnements autres que ceux spécifiés dans ce Manuel de l'utilisateur.
Cet appareil n'est PAS conçu pour une utilisation dans les atmosphères explosives.
Assurez-vous que les piles sont correctement installées comme indiqué dans le Manuel de l'utilisateur, en particulier, que la polarité est respectée.
Portez un équipement de protection approprié lors de l'utilisation, la réparation ou la révision de cet outil.
Gardez les cheveux, les doigts et les vêtements lâches à l'écart des pièces mobiles de l'outil.
Inspectez l'instrument pour les dommages avant chaque utilisation. Cherchez les poulies endommagées ou les pièces manquantes.
N'utilisez PAS l'instrument s'il semble endommagé ou fonctionner de manière anormale.
NE modifiez PAS l'outil de quelque façon que ce soit. Toute modification annulera les garanties applicables et pourrait entraîner des dommages à l'outil ou des blessures corporelles.
Avant d'appliquer une pression sur le câble testé, vérifiez que vous disposez d'une base ferme et que la surface sur laquelle vous vous tenez est stable. Prenez des précautions supplémentaires si la surface est humide ou glissante. Appliquez une pression constante sur les poignées du COLT, en utilisant les deux mains, jusqu'à ce que les poignées atteignent la position fermée à la butée magnétique.
Lors de l'utilisation en hauteur, assurez-vous que le COLT est attaché à un point fixe ou à l'utilisateur pour éviter des blessures ou un dommage en cas de chute.

ATTENTION

Le COLT est un instrument de précision et même s'il a été conçu pour une durabilité optimale et un fonctionnement sans incident, il doit être manipulé avec soin. Dans la mesure du possible, conservez le COLT dans son boîtier lors du stockage et du transport. Lorsque vous ne l'utilisez pas, conservez le COLT dans son boîtier.
Assurez-vous que COLT est propre et sec après utilisation. Retirez toute poussière, particule et saleté des poulies et autres pièces mobiles.
Évitez de faire tomber le COLT. Cela peut causer des dommages et l'empêcher de fonctionner correctement.

Bitte lesen Sie sich diesen Leitfaden genau durch, damit der COLT Tensionmeter zum Anklemmen richtig und sicher funktioniert, bevor Sie ihn aufbauen oder in Betrieb setzen.



Crosby



Die Begriffe „Warnung“ und „Vorsicht“ werden wie folgt definiert:
„Warnung“ bezieht sich auf Umstände, die den Benutzer gefährden könnten.
Unter „Vorsicht“, sind Bedingungen und Handlungen gemeint, die den COLT eventuell beschädigen.
Folgen Sie allen Sicherheitsrichtlinien in diesem Benutzerleitfaden.

WARNUNGEN

Der COLT sollte nur von geschultem Personal verwendet werden.
Benutzen Sie den COLT NUR für das Messen/Überprüfen von Drahtseilspannung. Wenn Sie den COLT für andere Zwecke verwenden, dann könnte das den Benutzer gefährden.
Der COLT darf nur als Handgerät eingesetzt werden.
Verwenden Sie den COLT NUR in Umgebungen, wie im Benutzerleitfaden beschrieben.
Das Gerät wurde NICHT für explosionsgefährdete Umgebungen entwickelt.
Achten Sie darauf, dass die Batterien, wie im Benutzerleitfaden beschrieben eingelegt werden, insbesondere die Polarität muss stimmen.
Tragen Sie beim Bedienen, Reparieren oder Überholen dieses Geräts die angemessene persönliche Schutzausrüstung.
Halten Sie Haare, Finger und locker sitzende Kleidung immer von den beweglichen Teilen des Geräts fern.
Überprüfen Sie das Gerät vor jedem Anwenden auf Schäden. Achten Sie auf beschädigte Seilrollen oder fehlende Teile. Benutzen Sie das Gerät NICHT, wenn es beschädigt aussieht oder nicht ordnungsgemäß funktioniert.
Verändern Sie das Gerät NICHT. Veränderungen setzen alle geltenden Garantien außer Kraft und könnten das Gerät beschädigen oder dem Benutzer Verletzungen zufügen.
Bevor Sie auf das zu testende Drahtseil Druck ausüben, versichern Sie sich, dass Sie sicher und auf einer stabilen Oberfläche stehen. Sollte die Oberfläche nass oder rutschig sein, dann ist besondere Vorsicht geboten. Üben Sie auf die Hebel des COLTs mit beiden Händen einen gleichmäßigen Durch aus, bis sich die Hebel am magnetischen Anschlag in Schließstellung befinden.
Wenn in größeren Höhen gearbeitet wird, dann achten Sie darauf, dass der COLT an einem stabilen Ort oder am Benutzer befestigt ist, um bei eventuellem Herunterfallen Schäden oder Verletzungen zu verhindern.

WARNUNG

Der COLT ist ein Präzisionsinstrument, und obwohl er für optimale Strapazierfähigkeit und problemlosen Betrieb entwickelt wurde, muss er mit Sorgfalt behandelt werden. Bewahren Sie den COLT während der Lagerung und beim Transport, wenn immer möglich, in seiner Tasche auf. Wenn der COLT nicht in Gebrauch ist, dann sollte er auch in seiner Tasche aufbewahrt werden.
Der COLT muss nach Gebrauch gereinigt und getrocknet werden. Entfernen Sie Staub, Sand und Schmutz von den Seilrollen und anderen beweglichen Teilen.
Lassen Sie den COLT nicht fallen. Er könnte beschädigt werden und nicht mehr ordnungsgemäß funktionieren.

Para garantizar un funcionamiento adecuado y un manejo seguro, lea atentamente este manual antes de instalar u operar el tensiómetro de abrazadera en línea COLT.



Las definiciones siguientes se aplican a los términos «Advertencia» y «Precaución»
«Advertencia» identifica condiciones que puedan implicar un peligro para el usuario.
«Precaución» identifica condiciones y acciones que pueden dañar el COLT
Siga todas las indicaciones de seguridad especificadas en este manual del usuario.

ADVERTENCIAS

El COLT solo debe utilizarlo personal cualificado.
NO use el COLT para ninguna aplicación que no sea medir/controlar la tensión del cable metálico. Cualquier otro uso del COLT puede entrañar peligros desconocidos para el usuario.
El COLT solo debe utilizarse como dispositivo de mano.
NO use el COLT en entornos distintos a los especificados en este manual del usuario
Este dispositivo NO está diseñado para uso en entornos explosivos.
Asegúrese de que las pilas estén colocadas correctamente, como se indica en este manual del usuario, poniendo especial atención a una correcta polaridad.
Use el equipo de protección individual adecuado cuando opere, repare o revise esta herramienta.
Mantenga el pelo, la ropa y los dedos alejados de las piezas móviles de la herramienta.
Inspeccionar posibles daños en el instrumento antes de cada uso. Observe posibles poleas dañadas o piezas faltantes. NO use el instrumento si parece estar dañado o funciona de forma anómala.
NO modifique la herramienta bajo ningún concepto. Una modificación invalidará cualquier garantía aplicable y podría resultar en daños en la herramienta o lesiones físicas en el usuario
Antes de aplicar presión al cable que se está probando, asegúrese de estar en suelo firme y que la superficie sobre la que está de pie sea estable. Tenga especial cuidado si la superficie está mojada o resbaladiza. Aplique presión constante en los mangos del COLT, con las dos manos, hasta que lleguen a la posición de cierre en la parada magnética.
Cuando se utilice en altura, asegúrese de que el COLT esté atado a un punto fijo o al usuario para evitar lesiones o daños si se cae.

PRECAUCIÓN

El COLT es un instrumento de precisión y, aunque ha sido diseñado para una durabilidad óptima y sin problemas de funcionamiento, debe manejarse con cuidado. Siempre que sea posible, guarde el COLT en su maletín durante el almacenamiento y el transporte. Cuando no esté en uso, guarde el COLT en su maletín.
Asegúrese de limpiar y secar el COLT Después de usarlo. Elimine el polvo, la arenilla y la suciedad de las poleas y otras piezas móviles. Evite que se caiga el COLT. Podría provocar daños y evitar un funcionamiento adecuado.

Safety instructions

Part No:
SU3714
Issue 2.1

21



Per assicurare un funzionamento sicuro e corretto, si invita a leggere il presente manuale molto attentamente prima di installare o operare il Tensiometro COLT Clamp On Line.



Le seguenti definizioni si applicano ai termini "Avvertimenti" e "Attenzione"
 "Avvertimenti" identifica le condizioni che possono causare pericoli all'utente.
 "Attenzione" identifica le condizioni e le azioni che possono danneggiare il COLT
 Seguire tutte le linee guida relative alla sicurezza specificate nel presente Manuale per l'Utente.

AVVERTIMENTI

Il COLT deve essere utilizzato solo da personale che ha ricevuto un'adeguata formazione.
 NON utilizzare il COLT per qualsiasi applicazione diversa dalla misurazione/controllo della tensione dei cavi. Qualsiasi altro utilizzo del COLT potrebbe causare pericoli sconosciuti per l'utente.
 Il COLT deve essere utilizzato solo come dispositivo che si tiene in mano.
 NON usare il COLT in ambienti diversi da quelli specificati nel presente Manuale per l'Utente
 Il presente dispositivo NON è concepito per essere utilizzato in atmosfere esplosive.
 Assicurarsi che le batterie siano installate correttamente come dettagliato nel presente Manuale dell'Utente, in particolare che venga osservata la corretta polarità.
 Indossare un'attrezzatura di protezione personale adeguata quando si opera, si ripara o si revisiona questo strumento.
 Tenere lontano dalle parti meccaniche dello strumento capelli, dita e indumenti.
 Ispezionare lo strumento per identificare eventuali danni prima di ogni utilizzo. Cercare di identificare pulegge motrici danneggiate o parti mancanti. NON usare lo strumento se sembra danneggiato o non funziona bene.
 NON modificare lo strumento in alcun modo. Le modifiche renderanno inutili ogni garanzia e potrebbero danneggiare lo strumento o causare infortuni all'utente
 Prima di applicare pressione al cavo per testarlo, assicurarsi di essere stabili e che la superficie su cui ci si trova sia stabile. Fare attenzione se la superficie è bagnata o scivolosa. Applicare pressione alle maniglie del COLT, utilizzando entrambe le mani, finché le maniglie non raggiungono la posizione chiusa al fermo magnetico.
 Se viene utilizzato in quota, assicurarsi che il COLT sia collegato ad un punto fisso o ad un utente per evitare di causare infortuni in caso di caduta.

ATTENZIONE

Il COLT è uno strumento di precisione e sebbene sia stato concepito per durare e funzionare senza problemi, deve essere maneggiato con cura. Laddove è possibile, tenere il COLT nel suo contenitore quando non è operativo e si trasporta. Quando non in uso tenere il COLT nella sua custodia.
 Assicurarsi che il COLT sia pulito e asciutto dopo l'uso. Eliminare ogni traccia di polvere, grasso e sporco dalla puleggia motrice e da altre parti meccaniche.
 Evitare di far cadere il COLT perché questo potrebbe danneggiare e impedire un corretto funzionamento.

Lees deze handleiding zorgvuldig door voordat je de COLT ('Clamp On Line Tensiometer') configureert of bedient om de juiste werking en veilige bediening ervan te garanderen.



Voor de termen 'Waarschuwing' en 'Let op' gelden de volgende definities.
 'Waarschuwing' duidt op omstandigheden die gevaren voor de gebruiker kunnen veroorzaken.
 'Let op' duidt op omstandigheden en acties die de COLT kunnen beschadigen.
 Volg alle voorzorgsmaatregelen die in deze gebruikershandleiding zijn beschreven.

WAARSCHUWINGEN

De COLT mag alleen worden gebruikt door getrainde medewerkers.
 Gebruik de COLT NIET voor andere toepassingen dan voor het meten/controleren van de spanning op een draadkabel. Elk andere gebruik van de COLT kan onbekende gevaren voor de gebruiker veroorzaken.
 De COLT mag alleen als handinstrument worden gebruikt.
 Gebruik de COLT NIET in andere omgevingen dan diegene die in deze gebruikershandleiding worden vermeld.
 Dit apparaat is NIET voor gebruik in explosieve omgevingen.
 Controleer of de batterijen goed zijn geplaatst overeenkomstig de beschrijving in deze gebruikershandleiding. Let vooral goed op de juiste plaatsing van de polen.
 Draag geschikte persoonlijke beschermingsmiddelen tijdens het bedienen, repareren of reviseren van dit gereedschap.
 Houd haar, vingers en losse kleding uit de buurt van bewegende delen van het gereedschap.
 Inspecteer het instrument voor elk gebruik op beschadiging. Let op beschadigde schijven of ontbrekende onderdelen. Gebruik het instrument NIET als het beschadigd lijkt of ongewoon werkt.
 Pas het gereedschap NIET op enige wijze aan. Bij aanpassing vervallen toepasselijke garanties en kan het gereedschap beschadigen. Ook kunnen gebruikers fysiek letsel oplopen.
 Controleer of je stevig staat en of het oppervlak waar je op staat stabiel is voordat je druk op de geteste kabel uitoefent. Wees extra voorzichtig als het oppervlak nat of glad is. Pas met beide handen stabiele druk op de handgrepen van de COLT toe totdat de handgrepen de gesloten positie bij de magnetische stop bereiken.
 Zorg, wanneer u de COLT op hoogte gebruikt, dat deze aan een vast punt of aan de gebruiker is gezekeerd om schade of letsel te voorkomen wanneer hij valt.

LET OP

De COLT is een precisie-instrument. Hoewel het ontworpen is voor optimale duurzaamheid en probleemloze werking, moet het met zorg worden gebruikt. Houd de COLT, waar praktisch mogelijk, in de hoes tijdens opslag en vervoer. Bewaar de COLT in de hoes wanneer hij niet wordt gebruikt.
 Maak de COLT na gebruik schoon en droog. Verwijder stof, slijpsel en vuil van de schijven en andere bewegende onderdelen.
 Laat de COLT niet vallen. Hierdoor kan schade worden veroorzaakt en werkt hij mogelijk niet meer goed.

Внимательно прочитайте настоящее руководство перед установкой и эксплуатацией накладного линейного тензометра COLT для обеспечения правильной и безопасной работы устройства.



Crosby



Термины «Внимание» и «Осторожно» определяются следующим образом.

Термин «Внимание» определяет условия, которые могут быть опасными для пользователей.

Термин «Осторожно» определяет действия, которые могут стать причиной повреждений прибора COLT.

Соблюдайте все правила техники безопасности, приведенные в настоящем руководстве.

ВНИМАНИЕ

Прибор COLT должен использоваться исключительно обученным персоналом.

ИСПОЛЬЗУЙТЕ прибор COLT исключительно для измерения / проверки натяжения кабелей. Любые иные способы применения прибора COLT могут стать причиной травмирования пользователя.

При измерении прибор COLT должен находиться в руках пользователя.

ИСПОЛЬЗУЙТЕ прибор COLT исключительно в тех условиях, которые указаны в настоящем руководстве.

Устройство НЕ предназначено для использования во взрывоопасных условиях.

Убедитесь, что батареи установлены правильно, как указано в настоящем руководстве. Соблюдайте полярность.

Надевайте соответствующие средства индивидуальной защиты при эксплуатации, обслуживании и ремонте устройства.

Держите волосы, пальцы и свободные концы одежды вдали от движущихся деталей прибора.

Осматривайте прибор на предмет повреждений перед каждым применением. Проверьте не повреждены ли ролики, и все ли детали на месте. НЕ пользуйтесь устройством, если оно выглядит поврежденным или работает неправильно.

НЕ вносите какие-либо изменения в конструкцию прибора. Внесение изменений приводит к отмене гарантий, а также может стать причиной повреждения прибора или травмирования пользователя.

Перед натяжением проверяемого кабеля встаньте в устойчивую позу на прочной поверхности. Будьте особенно аккуратно, если поверхность влажная или скользкая. Прилагайте обеими руками равномерное давление на рукоятки прибора COLT, пока они не достигнут закрытого положения на магнитном стопоре.

При использовании прибора COLT на высоте привяжите его к неподвижной точке или к себе во избежание повреждения устройства в случае его падения.

ОСТОРОЖНО

Устройство COLT — это прецизионный прибор, которым нужно пользоваться аккуратно, несмотря на то, что он обладает оптимальной прочностью и предназначен для бесперебойной работы. Для хранения и транспортировки помещайте прибор COLT в коробку. Храните прибор COLT в коробке, когда он не используется.

Очищайте и просушивайте прибор COLT после каждого применения. Удаляйте пыль, твердые частицы и загрязнения с роликов и прочих движущихся деталей.

Не роняйте прибор. Это может привести к повреждению и нарушению его правильной работы.

Για να εξασφαλίσετε την ορθή και ασφαλή λειτουργία, διαβάστε προσεκτικά το παρόν εγχειρίδιο προτού ρυθμίσετε ή λειτουργήσετε το COLT Clamp On Line Tensionmeter.



Οι παρακάτω ορισμοί ισχύουν για τους όρους «Προειδοποίηση» και «Προσοχή»

Η «Προειδοποίηση» αναγνωρίζει συνθήκες που μπορεί να θέσουν τον χρήστη σε κίνδυνο.

Η «Προσοχή» αναγνωρίζει συνθήκες και ενέργειες που μπορεί να βλάψουν το COLT.

Ακολουθήστε όλες τις οδηγίες ασφαλείας που ορίζονται στο παρόν Εγχειρίδιο χρήσης.

ΠΡΟΕΙΔΟΠΟΙΗΣΕΙΣ

Το COLT θα πρέπει να χρησιμοποιείται αποκλειστικά από εκπαιδευμένο προσωπικό.

ΜΗ χρησιμοποιείτε το COLT για οποιαδήποτε άλλη εφαρμογή πέρα από τη μέτρηση/έλεγχο της έντασης συρματοσχοινίου. Οποιαδήποτε άλλη χρήση του COLT ενδέχεται να θέσει τον χρήστη σε άγνωστους κινδύνους.

Το COLT πρέπει να χρησιμοποιείται αποκλειστικά ως συσκευή χεριών.

ΜΗ χρησιμοποιείτε το COLT σε περιβάλλοντα άλλα από εκείνα που ορίζονται στο παρόν Εγχειρίδιο χρήσης

Αυτή η συσκευή ΔΕΝ έχει σχεδιαστεί για χρήση σε εκρηκτικές ατμόσφαιρες.

Βεβαιωθείτε ότι οι μπαταρίες τοποθετούνται σωστά, όπως περιγράφεται στο Εγχειρίδιο χρήσης, συγκεκριμένα ότι τηρείται η σωστή πολικότητα.

Να φοράτε κατάλληλα μέσα ατομικής προστασίας όταν λειτουργείτε, επισκευάζετε ή βελτιώνετε το εργαλείο αυτό.

Βεβαιωθείτε ότι μαλλιά, δάχτυλα και χαλαρά ρούχα παραμένουν μακριά από κινούμενα μέρη του εργαλείου.

Επιθεωρήστε το όργανο για βλάβη πριν από κάθε χρήση. Εξετάστε για κατεστραμμένες τροχαλίες ή απουσία στοιχείων. ΜΗ χρησιμοποιείτε το όργανο αν φαίνεται κατεστραμμένο ή αν δε λειτουργεί φυσιολογικά.

ΜΗΝ τροποποιείτε το εργαλείο με οποιοδήποτε τρόπο. Τροποποιήσεις θα ακυρώσουν τυχόν ισχύουσες εγγυήσεις και μπορεί να οδηγήσουν σε βλάβη του εργαλείου ή σωματική βλάβη του χρήστη

Πριν να ασκήσετε πίεση στο συρματοσχοινίο που δοκιμάζετε, βεβαιωθείτε ότι έχετε πατάει γερά και ότι η επιφάνεια στην οποία στέκεστε είναι σταθερή. Προσέξτε ιδιαίτερα αν η επιφάνεια είναι υγρή ή ολισθηρή. Ασκήστε σταθερή πίεση στις λαβές του COLT, χρησιμοποιώντας και τα δύο σας χέρια, μέχρι αυτές να φθάσουν στην κλειστή θέση στη μηχανική διακοπή.

Όταν χρησιμοποιείται σε ύψος, φροντίστε το COLT να είναι δεμένο σε σταθερό σημείο ή ο χρήστης να αποφύγει τυχόν τραυματισμό/βλάβη λόγω πτώσης.

ΠΡΟΣΟΧΗ

Το COLT είναι ένα όργανο ακριβείας και ενώ έχει σχεδιαστεί για βέλτιστη ανθεκτικότητα και απρόσκοπτη λειτουργία, απαιτείται προσεκτικός χειρισμός του. Όπου είναι εφικτό, να αποθηκεύετε το COLT στη θήκη του κατά τη διάρκεια της φύλαξης και μεταφοράς. Όταν δε χρησιμοποιείται, αποθηκεύετε το COLT στη θήκη του.

Βεβαιωθείτε ότι το COLT διατηρείται καθαρό και στεγνό μετά από κάθε χρήση. Αφαιρέστε τυχόν σκόνη, πετραδάκια και ρύπους από τις τροχαλίες και άλλα κινούμενα μέρη.

Αποφύγετε την πτώση του COLT. Αυτή μπορεί να προκαλέσει βλάβη και να αποτρέψει την ορθή λειτουργία του.

Safety instructions

Part No:
SU3714
Issue 2.1

23



För å sikre en velfungerende og sikker drift, vennligst les denne håndboken før du monterer eller bruker COLT clamp-on spenningsmåler.



Følgende definisjoner gjelder for vilkårene "Advarsel" og "Forsiktig" "Advarsel" identifiserer forhold som kan forårsake fare for brukeren. "Forsiktig" identifiserer forhold og handlinger som kan skade COLT Følg alle sikkerhetsinstruksjoner som er angitt i denne brukermanualen.

ADVARSEL

COLT skal bare brukes av kyndig personell.
COLT må IKKE brukes til noe annet enn for å kontrollere/måle spenning i en wire. Enhver annen bruk av COLT kan forårsake ukjente farer for brukeren.
COLT må bare brukes som en håndholdt enhet.
IKKE bruk COLT i andre miljøer enn de som er angitt i denne brukermanualen.
Denne enheten er IKKE designet for bruk i eksplosive omgivelser.
Kontroller at batteriene er riktig montert slik det er beskrevet i denne brukermanualen, spesielt at batteriene står riktig vei.
Bruk passende personlig verneutstyr når du bruker, reparerer, eller vedlikeholder dette apparatet.
Hold hår, fingre og løse klær unna bevegelige deler på apparatet.
Kontroller apparatet for skade før du bruker det. Se etter skader på skiver eller manglende deler. IKKE bruk apparatet hvis det virker skadet eller ikke fungerer som normalt.
Du må på ingen måte modifisere apparatet. Modifisering vil gjøre at eventuelle garantier ikke lenger er gyldige og kan føre til skade på verktøyet eller brukeren.
Før du legger trykk på wiren som skal testes må du sørge for at du står stødig og at underlaget du står på er stabilt. Vær ekstra forsiktig hvis underlaget er vått eller glatt. Løft apparatet på plass med begge hender, påførvnt trykk på håndtakene til COLT til de låses av den magnetiske låsen.
Ved bruk i høyden, sørg for at COLT er trygt festet i noe eller noen for å unngå skader dersom noen mister det.

FORSIKTIG

COLT er et presisjonsinstrument, og selv om det er designet for optimal holdbarhet og problemfri drift, må det behandles forsiktig. Hvis det er praktisk gjennomførbart, pass på at COLT lagres og transporteres i en koffert. Når COLT ikke er i bruk må den oppbevares i en koffert.
Pass på at COLT er rengjort og tørket. Etter bruk må du fjerne støv, grus og smuss fra skivene og andre bevegelige deler.
Unngå å miste COLT i bakken. Dette kan forårsake skade og hindre optimal drift.

För korrekt funktion och säker användning, läs den här manualen noga innan du installerar eller använder COLT Clamp On Line Tensiometer.



Følgende definisjoner tillämpas på termerna "Varning" och "Varsamhet" "Varning" beskriver förhållanden som kan orsaka skador på användaren. "Varsamhet" beskriver förhållanden och åtgärder som kan skada COLT Følj alla säkerhetsriktlinjer som specificeras i den här användarmanualen.

VARNINGAR

COLT får endast användas av utbildad personal.
Använd INTE COLT för andra tillämpningsområden än för mätning/kontroll av trådspänning. Annan användning av COLT kan orsaka okända skador på användaren.
COLT får endast användas som handhållen enhet.
Använd INTE COLT i andra miljöer än de som beskrivs i den här användarmanualen.
Den här enheten är INTE avsedd för användning i explosiva miljöer.
Se till att batterierna är korrekt placerade enligt anvisningarna i den här användarmanualen. Särskild uppmärksamhet bör riktas på korrekt polaritet.
Använd lämplig personlig skyddsutrustning vid användning, reparation eller översyn av det här verktyget.
Håll hår, fingrar och löst sittande kläder borta från verktygets rörliga delar.
Undersök verktyget före varje användning så att inga skador finns. Søk efter skadade skivor eller saknade delar. Använd INTE verktyget om det verkar skadet eller beter sig onormalt.
Modifera INTE verktyget på något sätt. Modifisering kan resultera i att tillämpliga garantier upphør att gälla och kan ge skador på verktyget eller fysiske skador på användaren.
Innan trykk appliceras på tråden som testas, se till att du har ordentlig fotstød og att ytan du står på är stabil. Var ekstra oppmørksom om ytan er våt eller hal. Applicera ett stadigt tryck med båda händerna på handtagen på COLT, tills handtagen når stängt läge vid det magnetiske stoppet.
Vid användning i höjdläge, se till att COLT är fastgjort vid en fast punkt eller vid användaren för att undvika skador om det tappas.

VARSAMHET

COLT är ett presisjonsinstrument og även om det utveklats for optimal holdbarhet og problemfri användning, måste det hanteras varsamt. Når det er praktisk möjligt, forvare COLT i fodralet under forvaring og transport. Når COLT inte används ska det förvaras i fodralet.
Se till att COLT är rengjort og avtorket efter användning. Avlægsna damm, skræp og smuts från skivoma og andra rørlige delar.
Undvik att tappa COLT. Dette kan resultera i skador og felaktig drift.



以下定义适用于“警告”和“注意”术语
“警告”确定可能对用户造成危害的情况。
“注意”确定可能损害COLT的情况和操作
遵循本“用户手册”中规定的所有安全准则。

警告

COLT只能由经过培训的人员使用。
COLT只能用于测量/检查钢丝绳张力之用途。将COLT用作任何其他用途均可能会对用户造成未知危害。
COLT只能用作手持设备。
请勿在本“用户手册”中规定之外的环境中使用COLT
本设备不适用于爆炸性环境。
如本“用户手册”中所述,确保电池正确安装,尤其要遵照正确极性。
在操作、维修或检修本工具时,请穿戴适当的个人防护装备。
使头发、手指和宽松衣服远离工具的移动部件。
每次使用前均检查工具是否损坏。寻找损坏的绳轮或缺失零部件。如果本工具出现损坏或操作异常,请勿使用。
请勿以任何方式修改本工具。修改将使任何适用的保修失效,并可能导致工具损坏或对用户造成人身伤害
在对被测钢丝绳施加压力之前,请确保您自己站稳且站立在稳定表面上。如果表面湿或滑,请格外小心。用双手对COLT 的手柄施加稳定压力,直至手柄到达磁性挡块的关闭位置。
在高空使用时,请确保将COLT拴系到固定点和使用人员身上,避免万一坠落时造成损害。

注意

COLT是一种精密工具,尽管它设计为具有最佳耐用性和无故障操作,但必须小心处理。在可行的情况下,在储存和运输过程中请将COLT放在其箱内。不使用时,请将COLT放在其箱内。
使用后,确保COLT清洁干燥。清除绳轮和其他运动零部件上的灰尘、砂粒和污垢。避免从高空抛下COLT。否则,可能会导致损坏并阻碍正常操作。

الضمان العمل بشكل صحيح و أمن يرجى قراءة هذا الدليل بعناية قبل اعداد أو تشغيل جهاز COLT لقياس توتر الأسلاك.

العربية

التعاريف التالية تنطبق على مصطلحي "تحذير" و "تنبيه"
مصطلح "تحذير" يحدد الظروف التي قد تسبب خطراً على المستخدم.
مصطلح "تنبيه" يحدد الظروف و إجراءات التي قد تضر منتج COLT.
اتبع جميع إرشادات الس مة الواردة في هذا الدليل.

تحذيرات

يجب ألا يستخدم جهاز COLT إلى من قبل أفراد مديبين.
لا تستخدم COLT لأي غرض غير قياس / التحقق من توتر الأسلاك. أي استخدام آخر لجهاز COLT قد يسبب مخاطر غير معروفة للمستخدم.
يجب استخدام COLT فقط كجهاز محمولاً باليد.
لا تستخدم جهاز COLT في بيئات أخرى غير البيئات المحددة في هذا الدليل.
لم يتم تصميم هذا الجهاز للاستخدام في الأماكن القابلة للانفجار.
تأكد من أن البطاريات مركبة بشكل صحيح كما هو موضح بالتفصيل في دليل المستخدم, وخاصة الوضع الصحيح للأقطاب.
ارتد معدات الوقاية الشخصية المناسبة عند تشغيل أو إصلاح أو تجديد هذا الجهاز.
ابق الشعر والأصابع والملابس الفضفاضة بعيدة عن الأجزاء المتحركة في الأداة.
تفقد الجهاز للتأكد من خلوه من مظاهر الضرر والتلف قبل كل استعمال. تفقد الجهاز للتأكد من عدم وجود أي أجزاء تالفة أو مفقودة. لا تستخدم الجهاز إذا بدا عليه التلف أو إذا كان يعمل بشكل غير طبيعي.
لا تقم بتعديل الجهاز بأي شكل من الأشكال. القيام بأي تعديل في الجهاز يؤدي إلى إبطال أي ضمانات معومل بها, ويمكن أن يؤدي إلى تلف الجهاز أو الإصابات الجسدية للمستخدم.
قبل وضع أي أحمال على الأسلاك المراد اختبارها, تأكد من أنك على أرض ثابتة وتأكد من استقرار السطح الذي تقف عليه. توخ الحذر إذا كان السطح رطب أو زلق. اضغط باستمرار على مقابض جهاز COLT باستخدام كلتا اليدين, حتى تصل المقابض لوضع الإغلاق في القفل المغناطيسي.
عند استخدام الجهاز من على ارتفاع, تأكد من أن جهاز COLT مربوطة بنقطة ثابتة أو بالمستخدم لتجنب التلف في حال سقوطه.

تنبيهات

جهاز COLT هو أداة دقيقة, وعلى الرغم من أنه تم تصميمه بمواصفات تحقق أعلى متانة وأفضل أداء, فإنه يجب التعامل معه بعناية. احفظ جهاز COLT في حقيبته أثناء التخزين والنقل, إلا في الحالات التي لن يكون فيها هذا عملياً. احفظ جهاز COLT في حقيبته في أوقات عدم استعماله. تأكد من تنظيف جهاز COLT وتخفيفه بعد الاستعمال. أزل أي غبار أو حصى أو أوساخ من على البكرة والأجزاء المتحركة الأخرى. تجنب إسقاط جهاز COLT. قد يتسبب ذلك في تلف الجهاز أو التشغيل غير السليم.

Safety instructions

Part No:
SU3714
Issue 2.1

25

Distributor Stamp



Crosby | Straightpoint

Unit 9, Dakota Park, Downley Road, Havant, Hampshire, PO9 2NJ UK · Tel: +44 (0)2392 484491
2801 Dawson Road, Tulsa, OK 74110 · USA · Tel: +1 (918) 834-4611