

## Reece Safety Products Ltd

Unit B9, Lowfields Close, Lowfields Business Park, Elland, West Yorkshire HX5 9DX

Tel: 01422 310456 Fax: 01422 311070 Email sales@reecesafety.co.uk www.reecesafety.co.uk



### Product Information and Assembly Instructions - Miniature Circuit Breaker Lockouts CB05/06/07/08

Locates prongs from inside

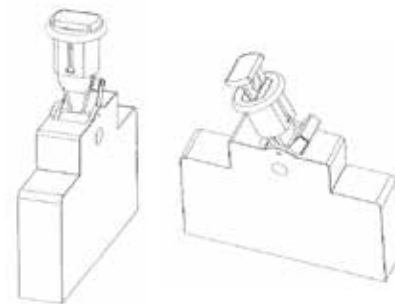


#### CB05

Push button operated, the model CB05 fits most popular breakers up to 60 Amp. Will also fit multi-pole breakers.

- 1 Push the button to release the prongs
- 2 Hold in position and place the two prongs into the two locating holes either side of the circuit breaker switch.
- 3 Lock in place using a padlock

**Remember**, the breaker must be in the "off" position before installing



Locates prongs from outside

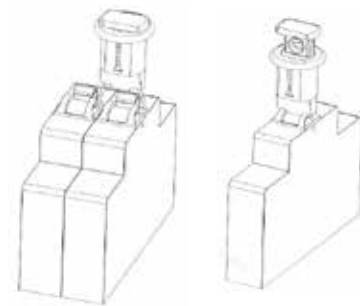


#### CB06

Push Button operated, the model CB06 fits most popular breakers up to 60 Amp. Will also fit multi-pole breakers.

- 1 Push the button to release the prongs
- 2 Hold in position and place the two prongs into the two locating holes either side of the circuit breaker switch.
- 3 Lock in place using a padlock

**Remember**, the breaker must be in the "off" position before installing



Locates prongs from inside

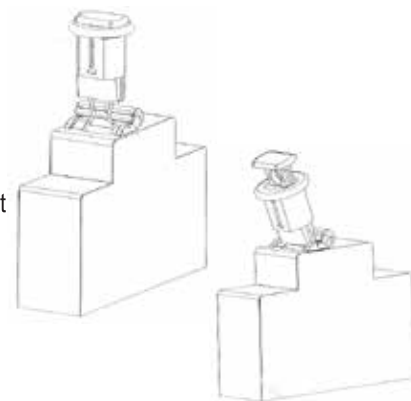


#### CB07

Push button operated, the model CB07 fits most popular breakers up to 60 Amp. Will also fit multi-pole breakers.

- 1 Push the button to release the prongs
- 2 Hold in position and place the two prongs into the two locating holes either side of the circuit breaker switch.
- 3 Lock in place using a padlock

**Remember**, the breaker must be in the "off" position before installing.



#### CB08

Adjustable thumb wheel operation, model CB08 fits larger or multi-pole circuit breakers connected with a cross bar. No holes in the breakers are required.

- 1 Unscrew the thumb wheel anti clockwise to release the clamp
- 2 Place the lockout over the breaker as shown and tighten the thumb wheel as required.
- 3 Lock in place using a padlock

**Remember**, the breaker must be in the "off" position before installing.

