

TECHNICAL DATA SHEET No. 6

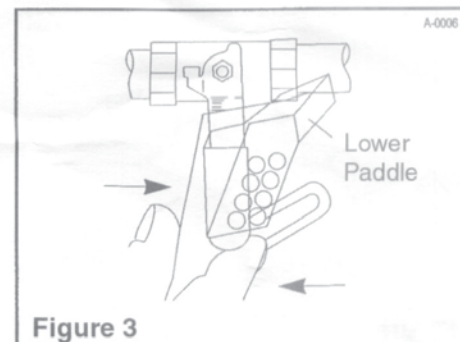
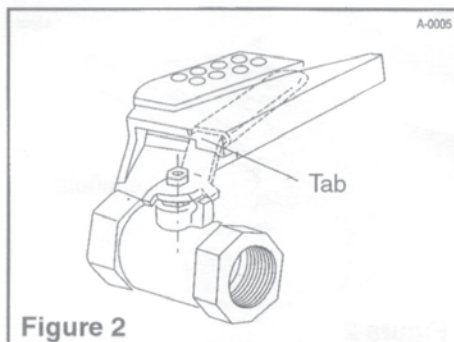
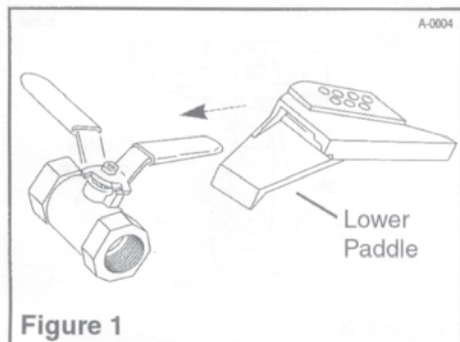
Reece Safety Products Ltd

Unit B9, Lowfields Close, Lowfields Business Park, Elland, West Yorkshire HX5 9DX

Tel: 01422 310456 Fax: 01422 311070 Email sales@reecesafety.co.uk www.reecesafety.co.uk



Product Information and Assembly Instructions - Quarter Turn Ball Valve Lockout BS07/08



1. Turn valve handle to off or closed position (Fig. 1)
2. Slip Lockout Device onto valve handle as far as possible (Fig. 1).
3. Position Lockout Device tab over angled portion of valve handle (Fig. 2)
4. Squeeze valve handle and Lockout Device together and insert lock into hole that provides tightest fit. Make sure tab is against valve handle and lower paddle is touching valve body or pipe (Fig. 3)
5. When properly installed valve should not move toward open position.

NOTICE: This Lockout Device is designed to prevent inadvertent or accidental energization of a quarter-turn type ball valve.

WARNING!!

- All associated hazardous energy should be verified as de-energized prior to and following the installation of a Lockout device.
- Appropriate use of the Lockout product is the sole responsibility of the user in relation to compliance of employers and current Health and Safety Regulations.