



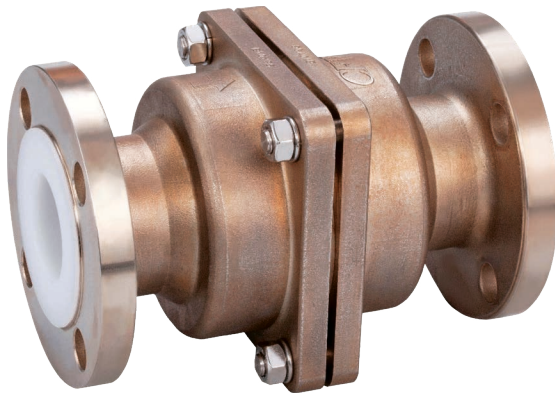
Lined Valves

Chem-Flo Series

Lined Valves Designed for High Corrosion, High Purity

PFA Lined Ball Valves

Full Port 150# Flanged Ends
Ductile & Stainless Bodies
Size Range ½"-6"



Ball Check Valves

PFA Lined
Full Port 150# Flanged Ends
Ductile & Stainless Bodies
Size Range ½"-4"

Fully Lined Butterfly Valves

Wafer & Lug Types
Ductile & Stainless Bodies
Size Range: 2"-24"



Chem-Flo Valves Replace High Alloy Valves



4815 West 5th Street
Lumberton NC, 28358

www.flotite.com

Office: 910.738.8904
Fax: 910.738.9112
sales@flotite.com



PTFE Lined Ball Valve

CHEM-FLO SERIES

PFA Lined Valves Designed for High Corrosion, High Purity

Model:

F15-DI-FAA-L

Size Range:

1/2"-6"

Temperature Range:

14° F~ +320° F

-10° C~ +160° C

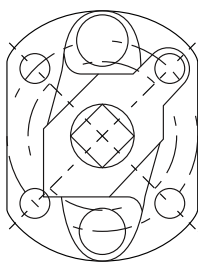
Pressure Grade:

ANSI Class 150

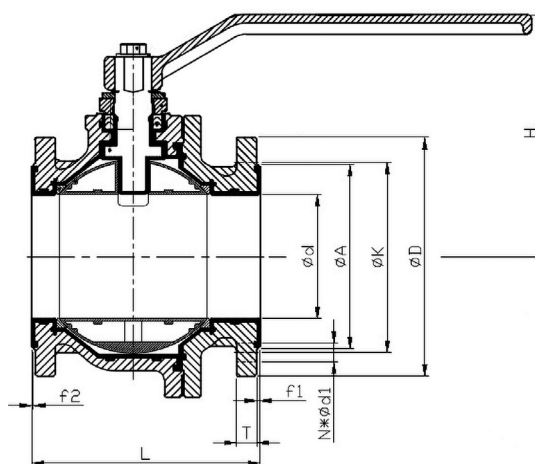
Design Advantages:

- Valve Body Design: ASME B16.42 & EN12516-3
- Face-to-Face: ASME B16.10
- Maximum Operating Pressure: 250PSI
- Actuator Mounting Pad: ISO-5211
- VOC Test Verified by ISO-15848-1

Description	Material	Qty
Body	A395 Ductile Iron+PFA	1
Cap	A395 Ductile Iron+PFA	1
Stem	ASTM A279-304+PFA	1
Ball	A351-CF8+PFA	1
Gland Packing	PTFE	1
Gland Flange	ASTM A351-CF8	1
Triangle Stopper	ASTM A276-304	1
Handle	ASTM A216-WCB	1
Seats	TFM-1600	2
C-Ring	ASTM A276-304	1
Washers	ASTM A276-304	8
Bolt	ASTM A193-Gr. B8	1
Spring Washers	ASTM A276-304	4/8
Gland Bolts	ASTM A193-Gr. B8	2
Body Stud Bolts	ASTM A193-Gr. B8	4/8
Body Nuts	ASTM A194-Gr. 8A	4/8
Spring	ASTM A313-302	1



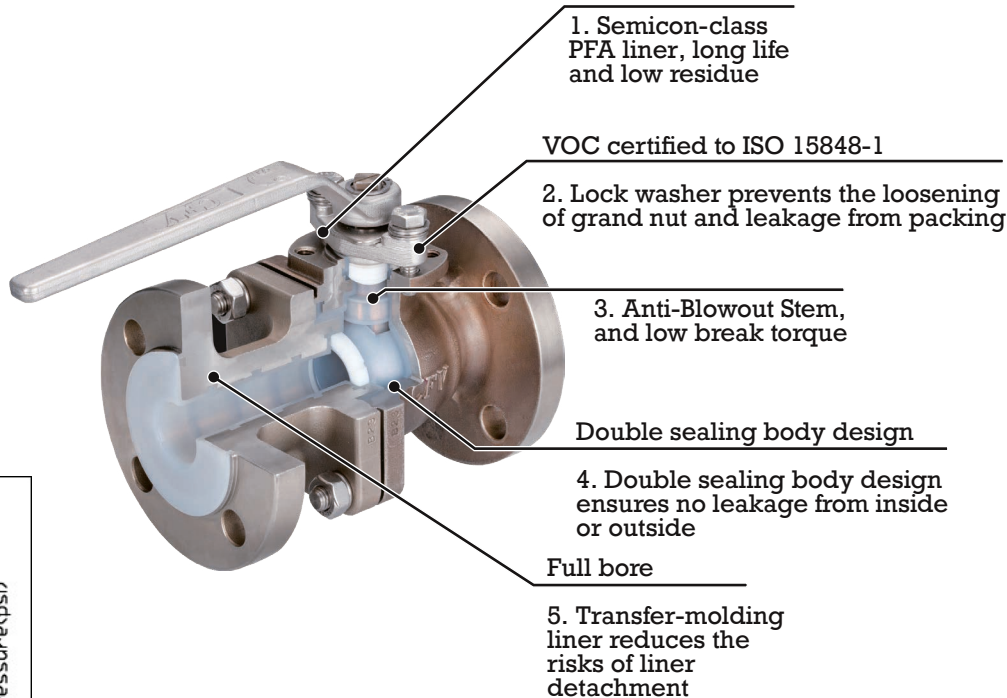
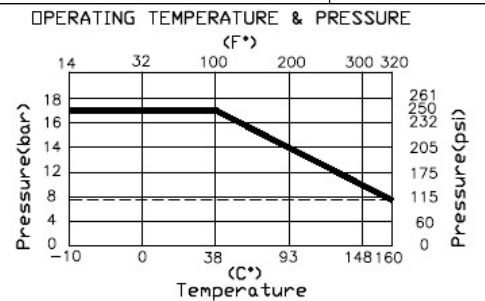
ISO 5211



Dimensions

Size (in)	ϕd	H	E	L
1/2"	15	83	145	108
3/4"	20	84	145	117
1"	25	101	165	127
1-1/2"	40	128	225	165
2"	50	136	225	178
2-1/2"	65	168	350	190
3"	80	177	350	203
4"	100	233	400	229
6"	145	282	466.5	267

Unit: mm





Chem-Flo Series

PTFE Lined Butterfly Valves Designed for High Corrosion and High Purity

See Tech Bulletin 25/26

Models:

- 25 - Wafer Type
- 26 - Lug Type

Size Range:

2" - 12"

Materials:

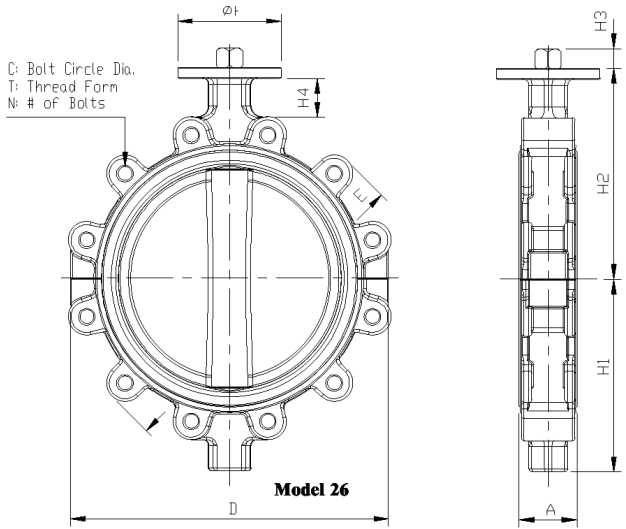
Ductile Iron Body
Optional Stainless Steel
and Special Alloy

Pressure Rating:

- 2" - 14": 150 PSI
- 16" - 24": 100 PSI

Actuator Mounting:

ISO - 5211 Direct Mount



ANSI Class 125 PTFE Lined Butterfly Valves

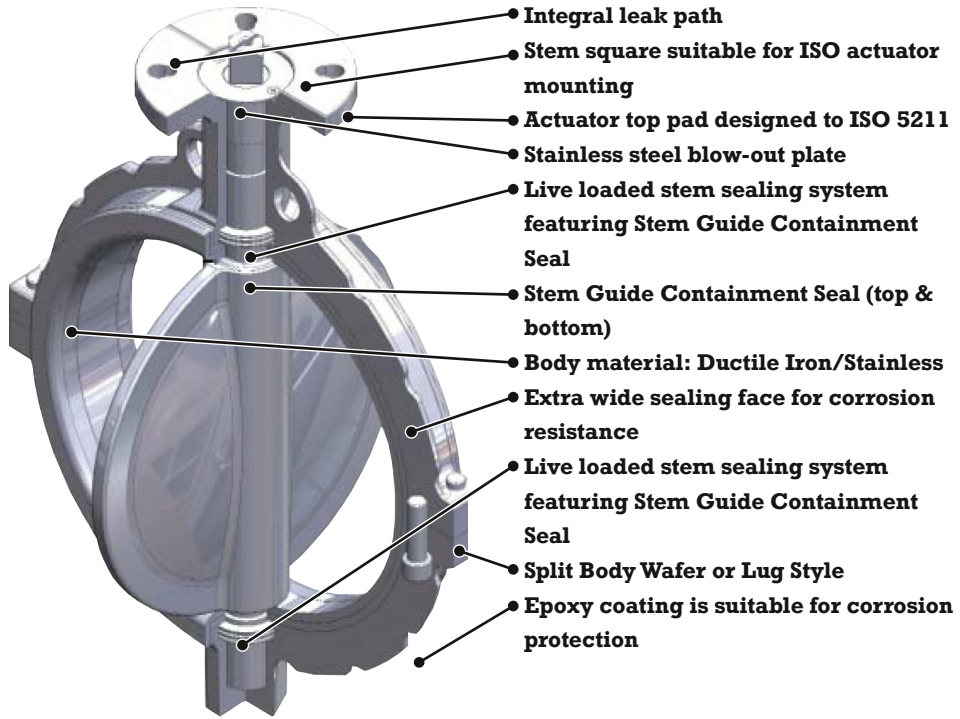
Size	A	Wafer [D]	Lug [D]	Wafer [H1]	Lug [H1]
2"	1.85	5.08	6.02	2.56	2.36
2.5"	1.97	5.28	6.10	2.76	2.76
3"	1.97	6.26	7.09	3.23	3.31
4"	2.19	7.76	8.07	3.78	4.02
5"	2.32	8.43	9.45	4.72	4.80
6"	2.32	10.00	10.43	5.12	5.28
8"	2.48	12.20	12.60	6.69	6.50
10"	2.87	14.57	15.16	8.66	7.64
12"	3.19	16.56	17.73	8.82	8.82

Design Features

- 2-Piece Body Design
- Ease of Automation
- Phenolic Backed Seats
- 2 Piece Stem Design
- Epoxy Coated Body
- Low Operating Torque
- Blowout-Proof Stem
- Optional Polished Disc

Typical Applications

- Fertilizers
- Desalination
- Bio-Technical
- Pulp and Paper
- Textile Industry
- Petro-Chemical
- Food Processing
- Semi-Conductors
- Mining and Steel
- Paint and Pigments
- Pharmaceutical Industry
- Chemical Process Industry



Model:

BCV15-SS-TT

Size Range:

1/2"-4"

Temperature Range:

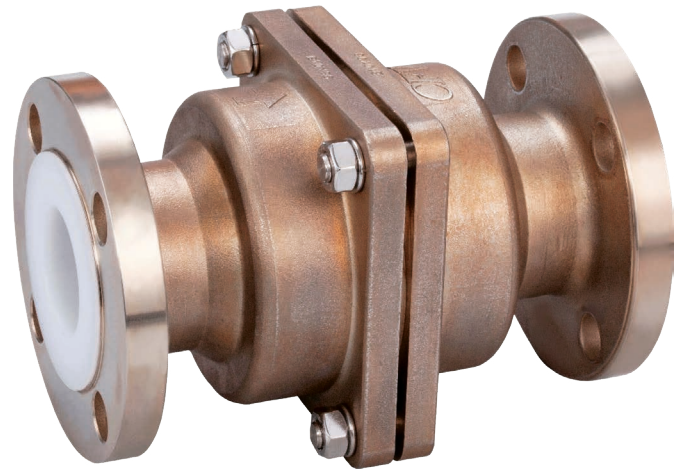
-30°C~+100°C

Pressure Grade:

Class 150

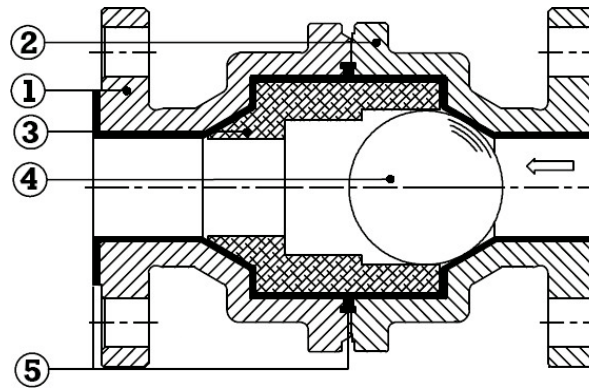
Optional Products (C/F)

- PFA Lined Diaphragm Valves
- PFA Lined Plug Valves



Material List

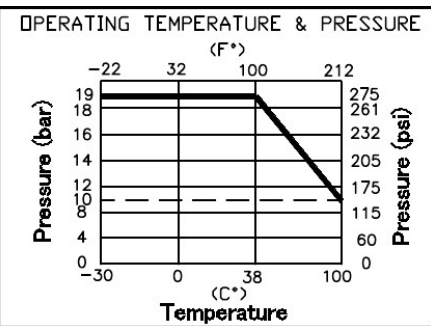
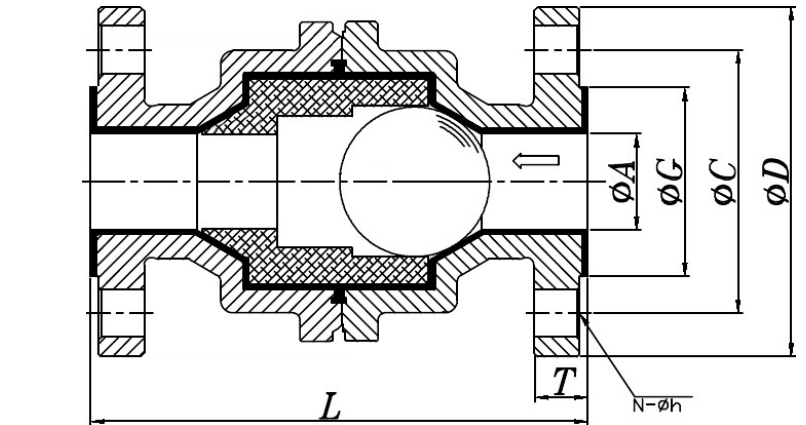
Item	Designation	Specification
1	Body	A351-CF8 +PFA (Fluoropolymer) Liner
2	Cap	A351-CF8 +PFA (Fluoropolymer) Liner
3	Sleeve	PTFE
4	Ball	PTFE
5	Spring	SUS304 WPA+PFA (Fluoropolymer) Liner



Dimensions

Size		JIS 10K			ANSI 150		
in	DN	øA	L	D	C	G	D
1/2"	15	15	130	95	70	45	89
3/4"	20	20	150	100	75	50	98
1"	25	25	160	125	90	61	108
1-1/2"	40	38.5	200	140	105	76	127
2"	50	51	230	155	120	91	152
2-1/2"	65	65	290	175	140	113	178
3"	80	76	310	185	150	123	190.5
4"	100	102	350	210	175	147	228.6

Unit: mm



Design Advantages

- ASME B16.34 Valve Body Design
- ISO 5752 face-to-face
- Low Pressure Applications and no back pressure to seat
- Spring check type: Universal installation orientation
- Ball check type: Vertical installation only, with flow direction from bottom up
- Lining thickness is at least 3mm



4815 West 5th Street
Lumberton NC, 28358

www.flotite.com

Office: 910.738.8904
Fax: 910.738.9112
sales@flotite.com