



MECHANICAL SPECIFICATIONS

Dimensions: 15.5" x 15.5" x 3.05" (393.7 x 393.7 x 77.4mm)
Weight (without AP): 3.75 lb (1.70 kg)
Material: Aluminum. Steel (Key & Latch Lock)
Color: White
Lock: Key Lock
Installation: Flush mounts in wall or ceiling



ENVIRONMENTAL SPECIFICATIONS

Installation Environment: Indoor



STANDARDS, TESTING AND CERTIFICATIONS

Designed to meet NEC300-22 and 300-23 to mount AP in plenum/air handling areas
UL2416: Investigation of the enclosure system covers the enclosure only. (This enclosure is part of our ATS-CT Series of enclosures)



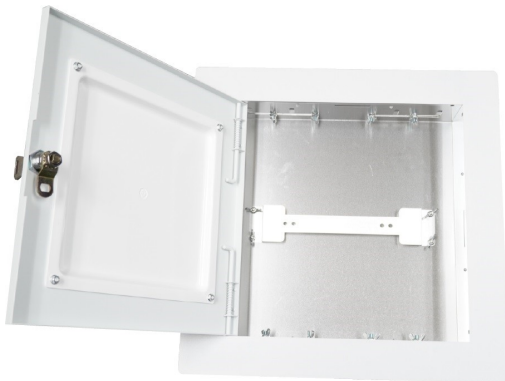
WARRANTY

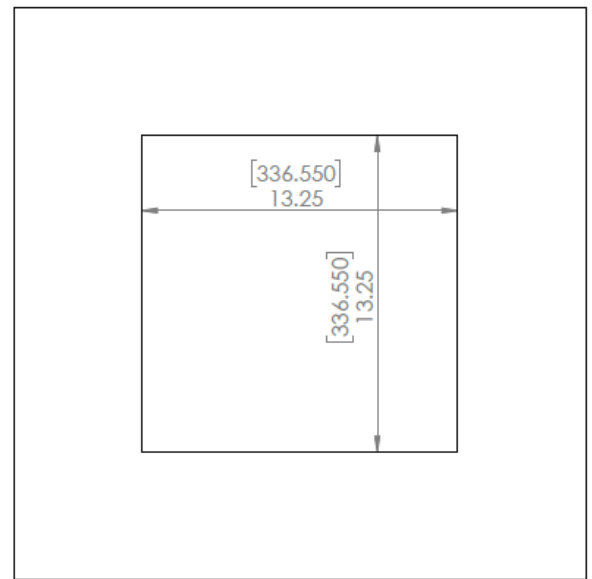
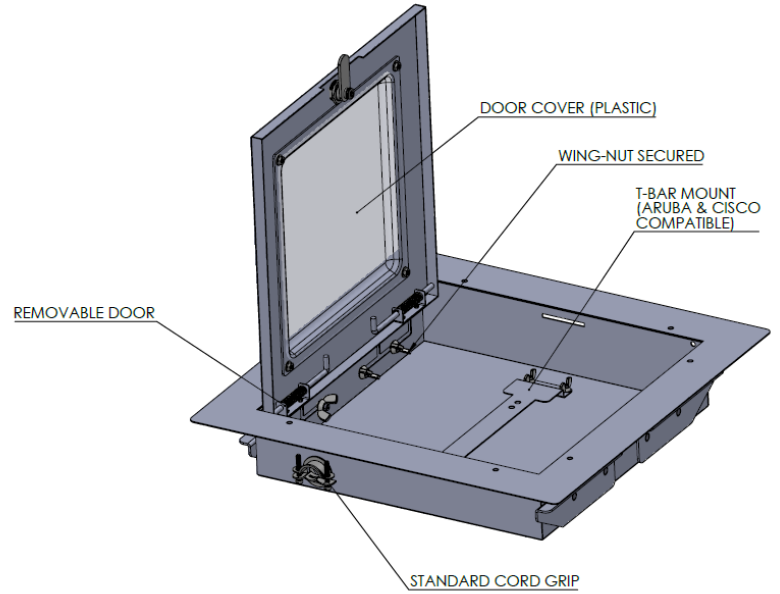
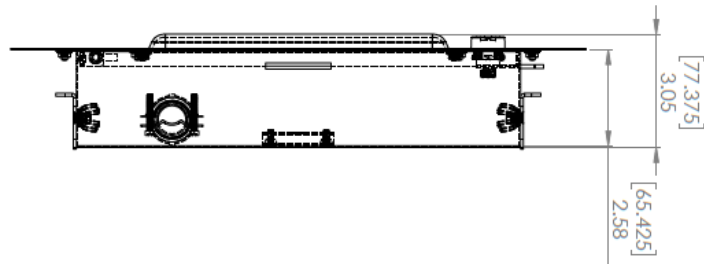
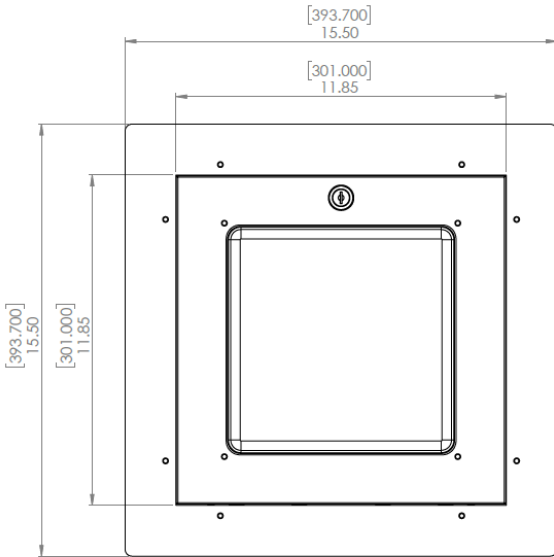
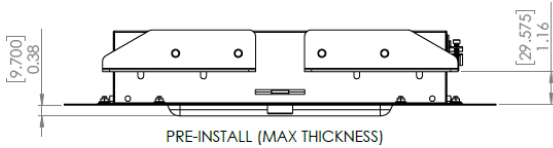
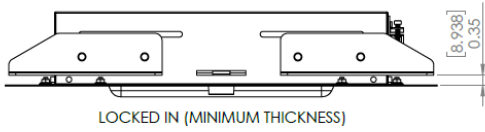
2 Year Limited Warranty



BENEFITS

- Can be installed into hard surfaces such as sheet rock, wood and stucco
- Locking mechanism provides security against tampering, vandalism and theft
- Provided screw clamp connector for easy entry and cable installation
- Appropriate for plenum/air handling areas





INSTALLATION HOLE