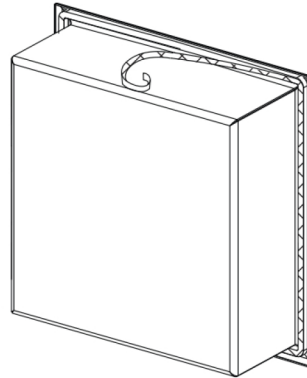


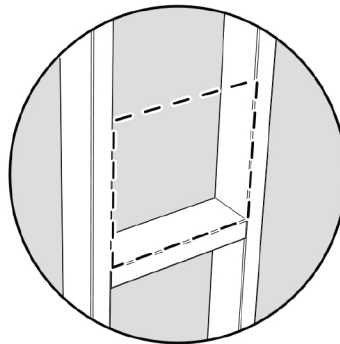


Shower Niche Installation Instructions

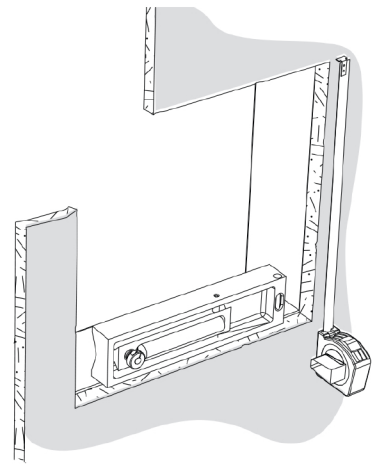
1 Peel off the tape cover.



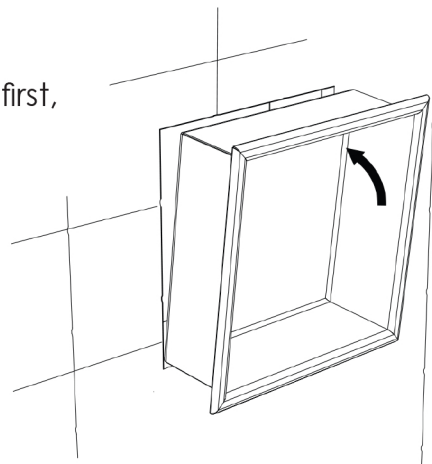
2 Add horizontal stud to support bottom of Niche



Refer to specifications for cut out dimensions



3 Rest the bottom first, then push in.



Apply silicone around all edges.

