

Thank you for choosing our company.

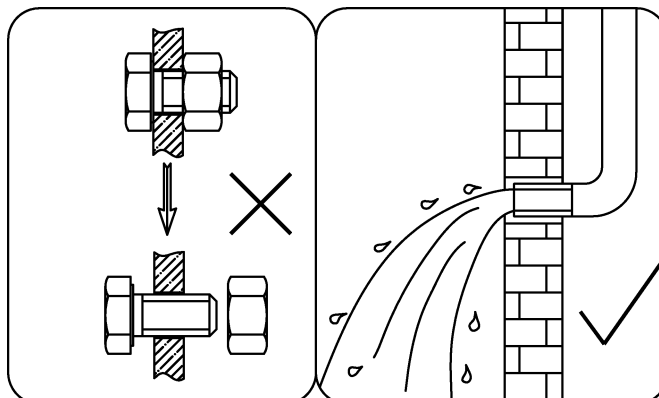
Please make sure you have all necessary parts by checking the diagram and component list. Please make sure of proper installation and maintenance for long-term performance.

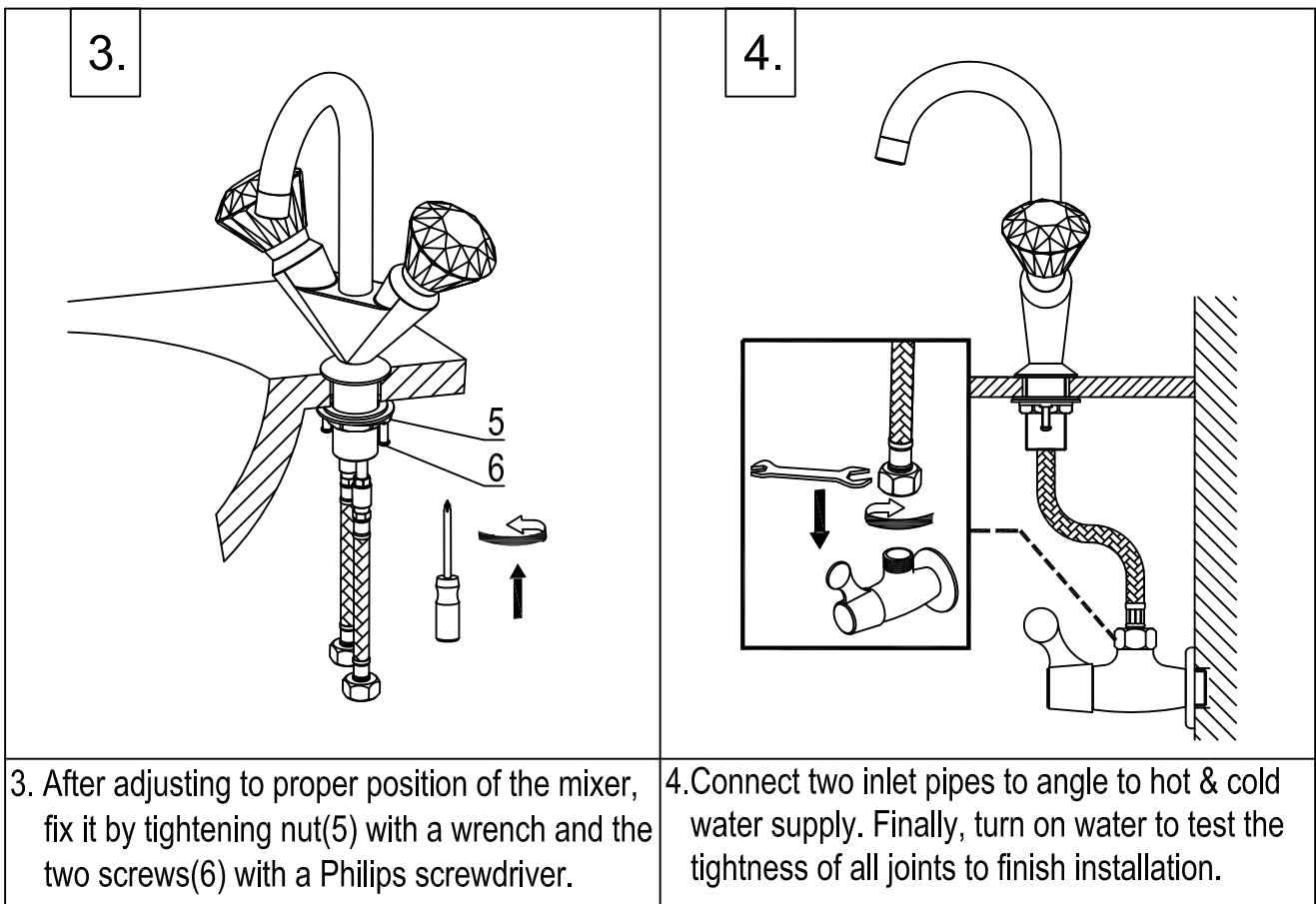
Important notice:

1. Please make sure that installation must be carried out by qualified or well-experienced plumbers. Improper installation may cause severe failure.
2. This diagram is for reference only. The installation procedures may slightly differ from one to other type of lavatory mixers, and this is the manual for single-lever and double-handle lavatory mixers for your reference.

✘Warnings

- ☆ Disassembling of the mixer body is prohibited, as it has been assembled & commissioned to the best using condition.
- ☆ Before installing, flush the water supplying pipes.
- ☆ Do not over-forcing when installing.
- ☆ Corrosive materials such as plastic cement or glue is prohibited when installing mixers, angle valves or connecting flexible hoses.
- ☆ Make sure to connect hot and cold supplying water pipes correctly, left to hot and right to cold facing from front of the mixer.
- ☆ After installation, check joints to make sure of no leakage.
- ☆ Technical parameters:
 Norminal working pressure: 0.05MPa-1.0MPa (7.26psi-145psi).
 Water temperature: 4°C-90°C.

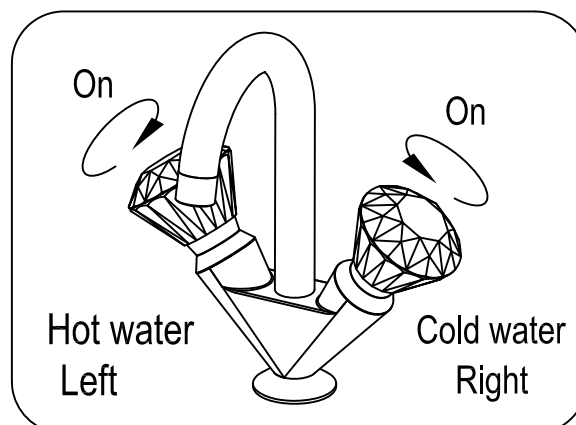




※How to operate:

(For double-handle lavatory faucets)

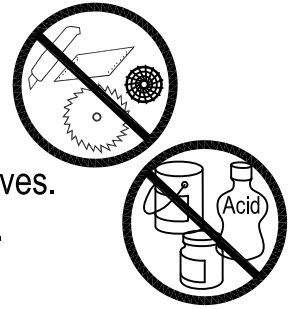
1. Left handle is for hot water, and right handle for cold water.
2. Firstly rotate right handle anti-clockwise to turn on cold water, and then left handle clockwise to get warmer water.
3. To stop, operate inversely.



✂️ Maintenance:

☆ To keep your faucet looking new and for fine performance, please:

1. Rinse with clean water & dry with soft cloth only.
2. Clean with soft liquid, neutral detergent or non-abrasive cleaners.
3. Avoid abrasive cloth/paper, steel wool, harsh chemicals and scraping knives.
4. When necessary, remove aerator with key, rinse it and reassemble back.

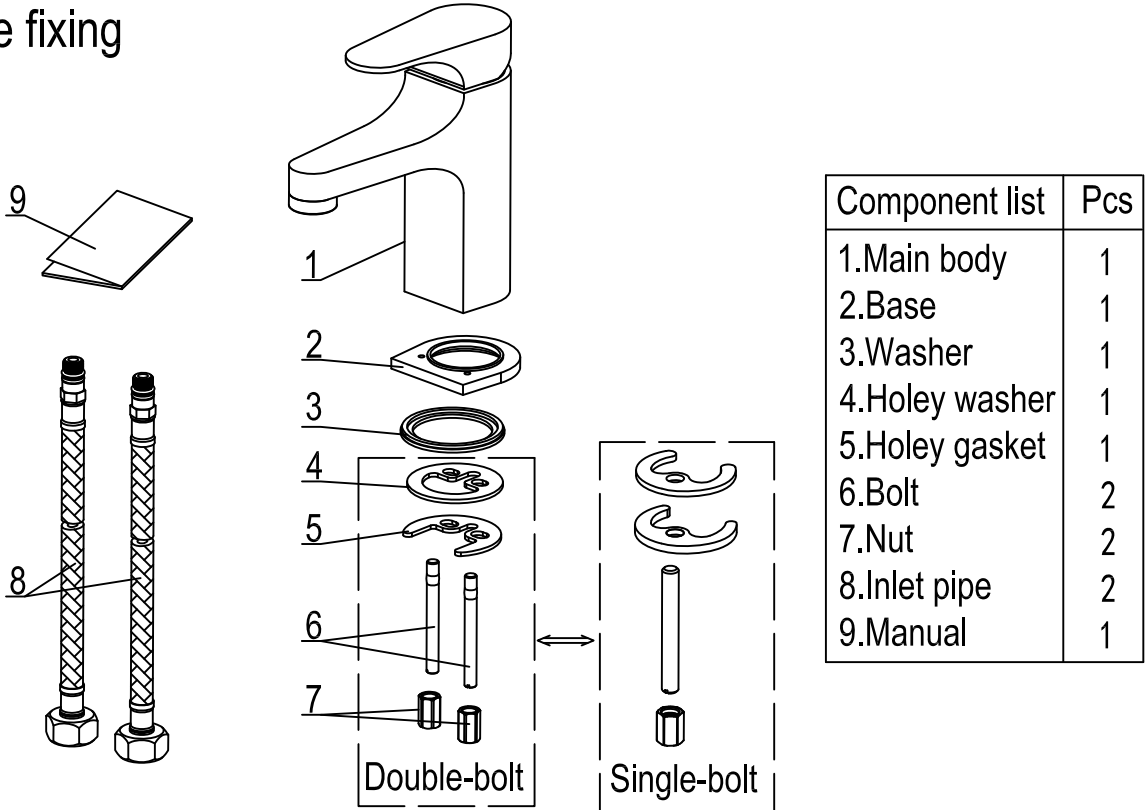


✂️ Warm tips:

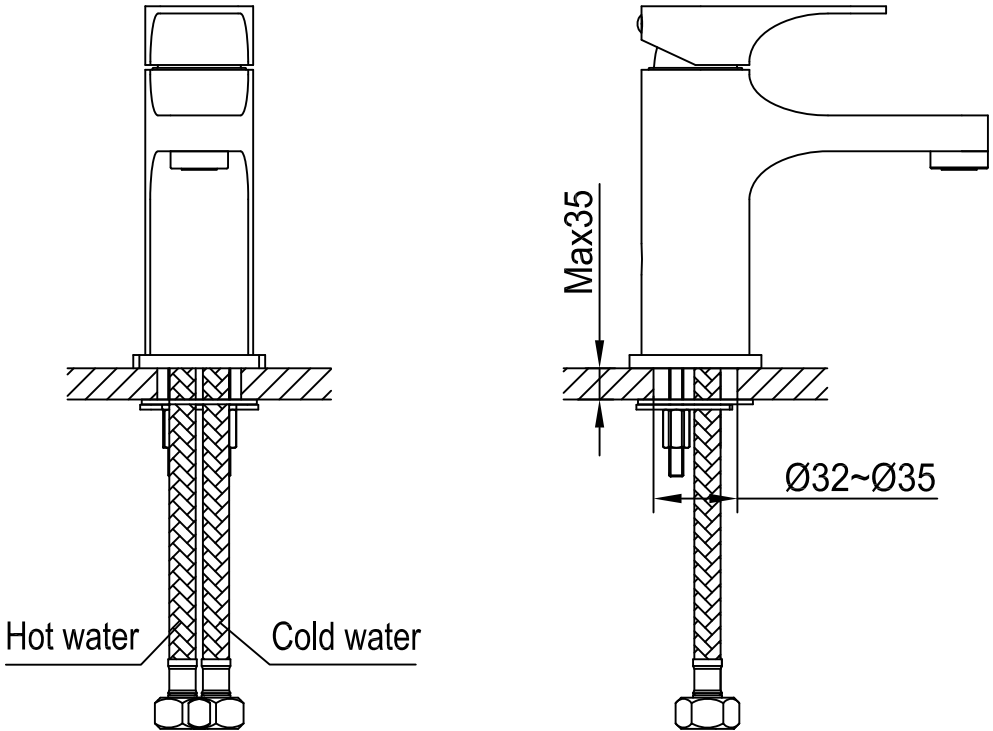
☆ For environmental protection, please recycle scrapped brass and stainless steel, dispose empty batteries and circuit boards according to relevant State regulations.

A. Single-lever lavatory mixer

A-type fixing



※ Diagram

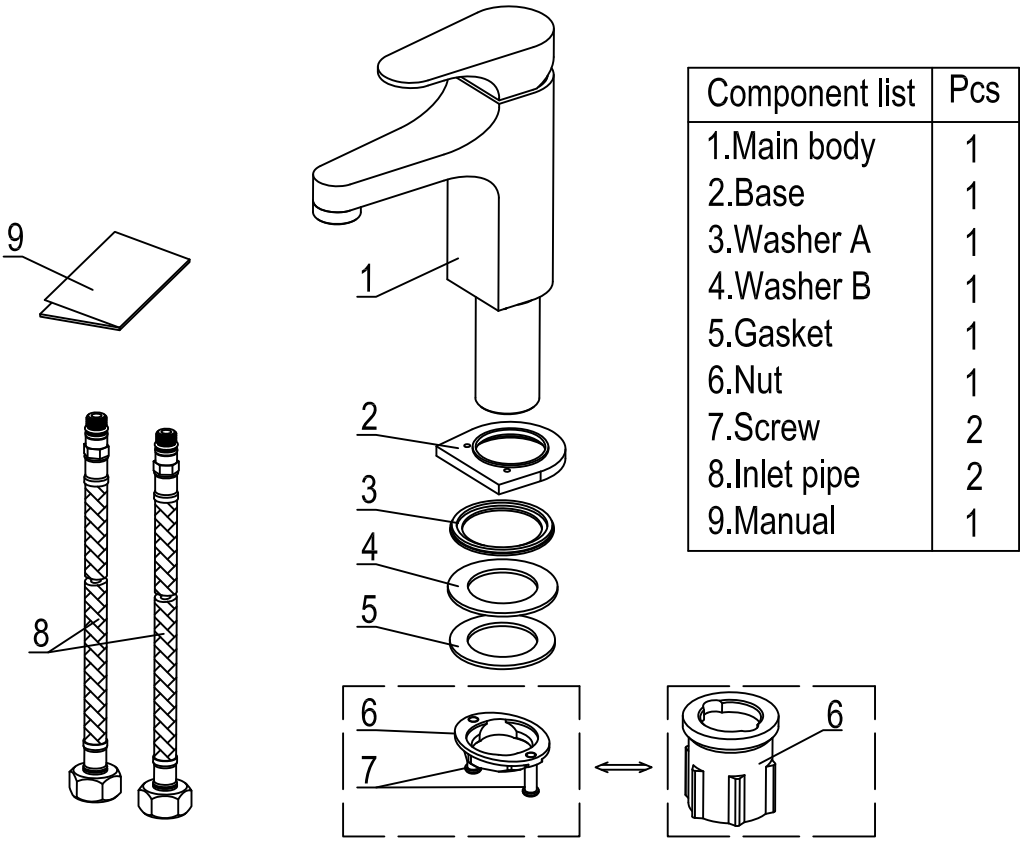


Single-lever lavatory mixer
 Double-handle lavatory mixer

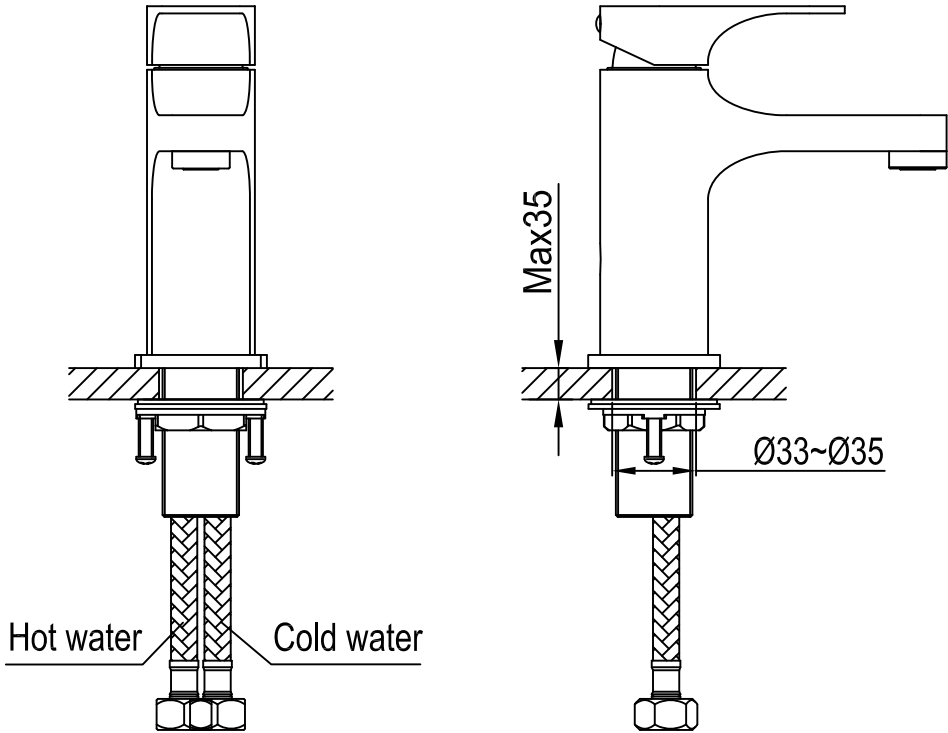
<p>1.</p> <p>Ø32~Ø35 Hole</p>	<p>2.</p>
<p>1.1) Drill a hole of Ø32~Ø35 on the deck. 2) Screw nut(7) off from bolt(6). 3) Fix bolts (6) and inlet pipes(8) onto main body tightly.</p>	<p>2.Put base(2) and washer(3) through the inlet pipes to main body, then put inlet pipes through the hole. With the mixer facing forward, install it with holey washer(4), holey gasket(5) and nuts(7) in sequence from under deck.</p>

<p>3.</p>	<p>4.</p>
<p>3. After adjusting the faucet to proper position, tighten nuts(7) with a wrench to fix the faucet.</p>	<p>4.Connect two inlet pipes to hot & cold water supply. Finally, turn on water to test the tightness of all joints to finish installation.</p>

B-type fixing



※Diagram

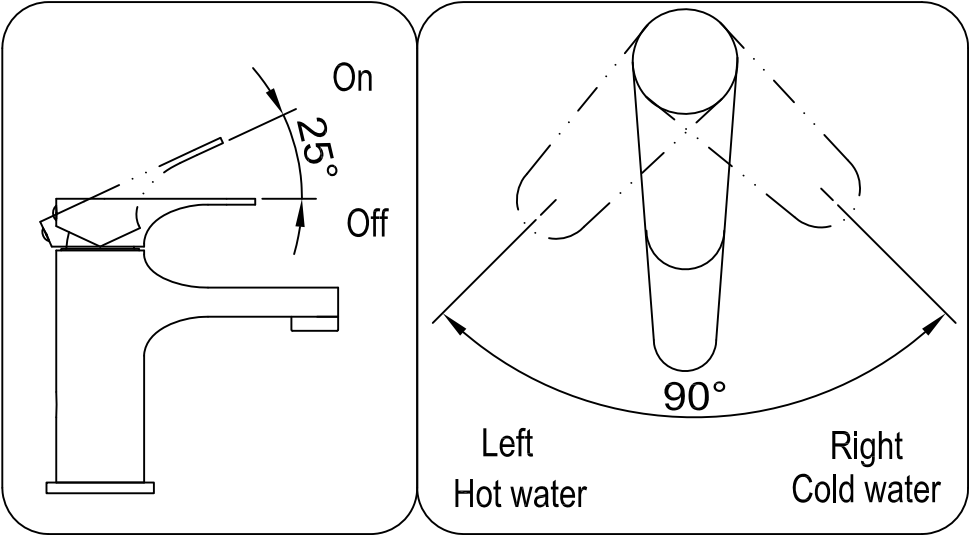


✳️ Installation procedures

<p>1.</p> <p>Ø33~Ø35 Hole</p>	<p>2.</p>
<p>1. 1) Drill a hole of Ø32~Ø35 on the installation deck. 2) Remove the nut(6) with screws(7), gasket(5), washer B(4), washer A(3) and base(2) from the mainbody.</p>	<p>2. Fix inlet pipes onto the mainbody, put base(2) and washer A(3) through inlet pipes to main body, then put inlet pipes through the hole. With mixer facing forward, install it with washer(4), gasket(5) and nut (6) with screws(7) in sequence from under deck.</p>
<p>3.</p>	<p>4.</p>
<p>3. After adjusting to proper position of the mixer, fix it by tightening nut(6) with a wrench and the two screws(7) with a Philips screwdriver.</p>	<p>4. Connect two inlet pipes to angle to hot & cold water supply. Finally, turn on water to test the tightness of all joints to finish installation.</p>

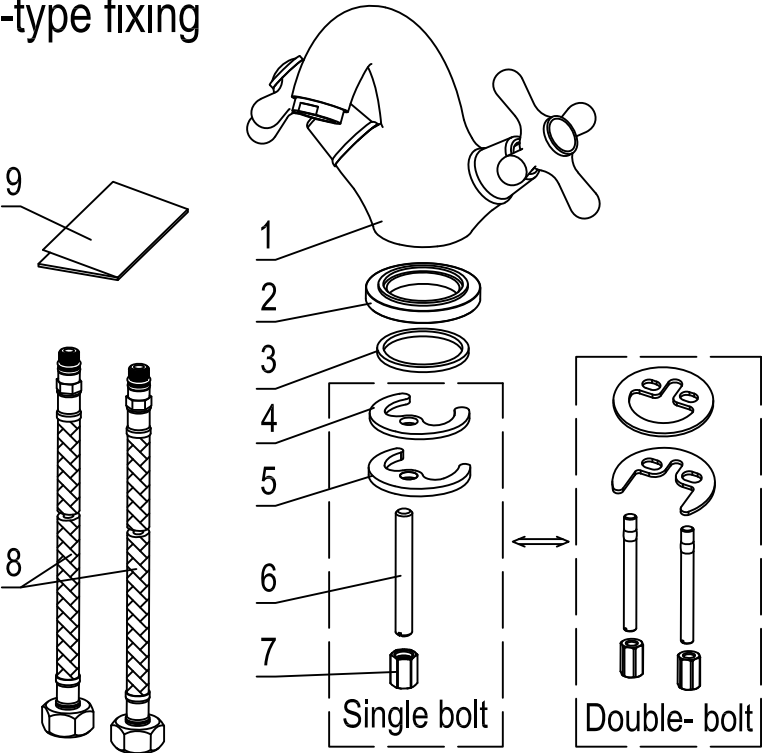
✳️How to operate:
 (For Single-lever lavatory mixer)

- 1.Raise the lever handle to turn on the water. Push down to stop.
- 2.Turn the handle lever to the left to increase hot water flow, turn to the right for cooler water.



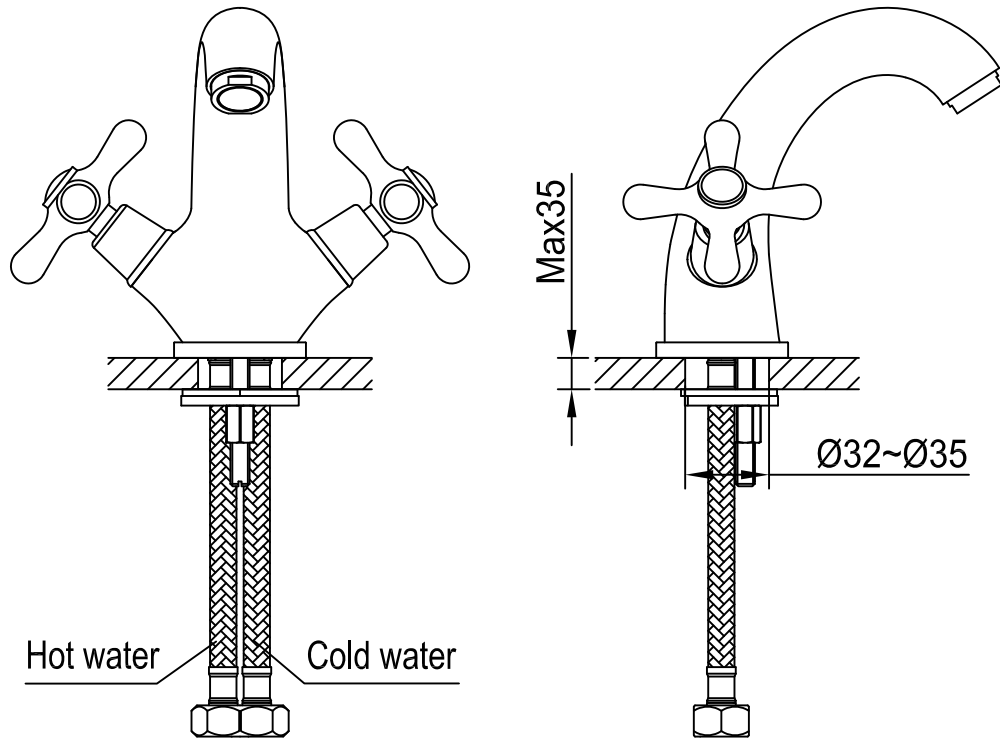
B. Double-handle lavatory mixer

A-type fixing



Component list	Pcs
1.Main body	1
2.Base	1
3.Washer	1
4.Holey washer	1
5.Holey gasket	1
6.Bolt	2
7.Nut	2
8.Inlet pipe	2
9.Manual	1

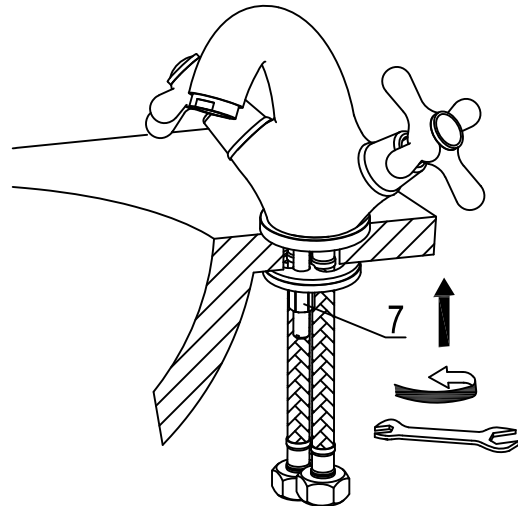
✳️Diagram



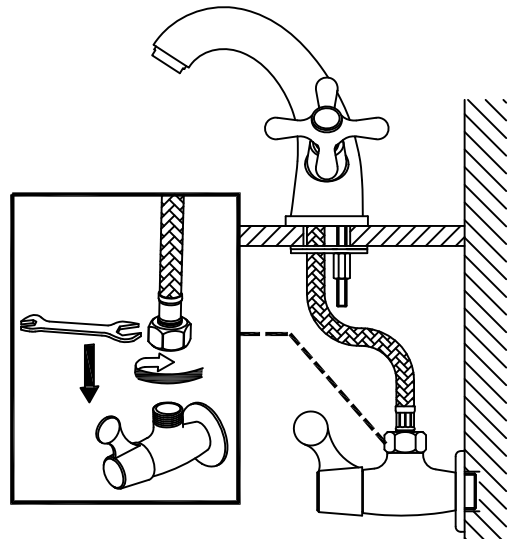
✳️Installation procedures

<p>1.</p> <p>Ø32~Ø35 Hole</p>	<p>2.</p>
<p>1.1) Drill a hole of Ø32~Ø35 on the deck. 2) Screw nut(7) off from bolt(6). 3) Fix bolts (6) and inlet pipes(8) onto main body tightly.</p>	<p>2.Put base(2) and washer(3) through the inlet pipes to main body, then put inlet pipes through the hole. With the mixer facing forward, install it with hole washer(4), hole gasket(5) and nuts(7) in sequence from under deck.</p>

3.



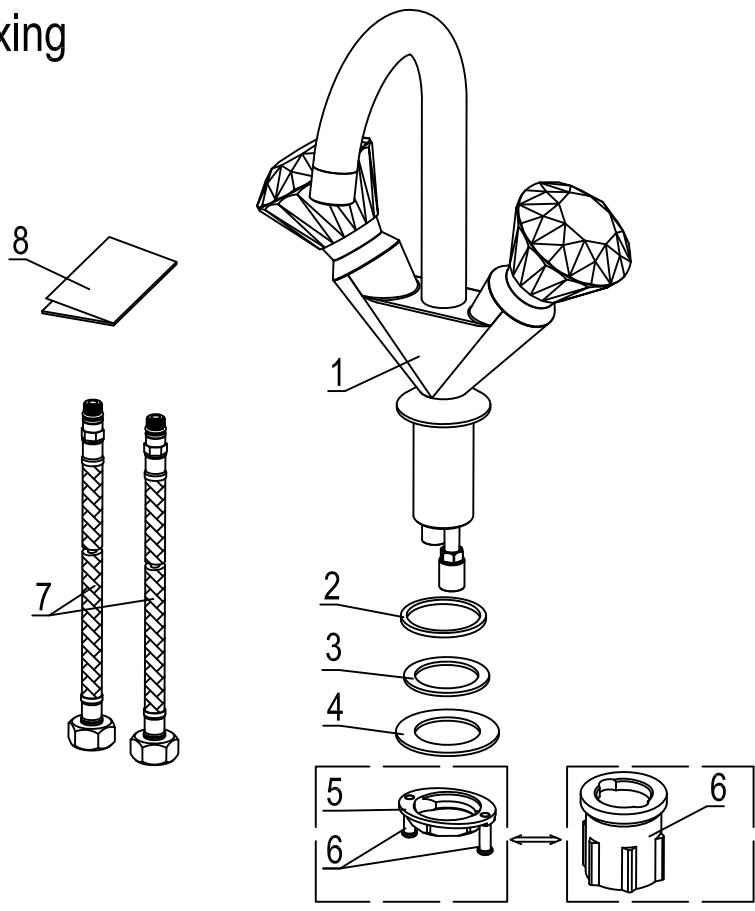
4.



3. After adjusting the faucet to desired position, tighten nut(7) with a wrench to fix the faucet.

4. Connect two inlet pipes to angle to hot & cold water supply. Finally, turn on water to test the tightness of all joints to finish installation.

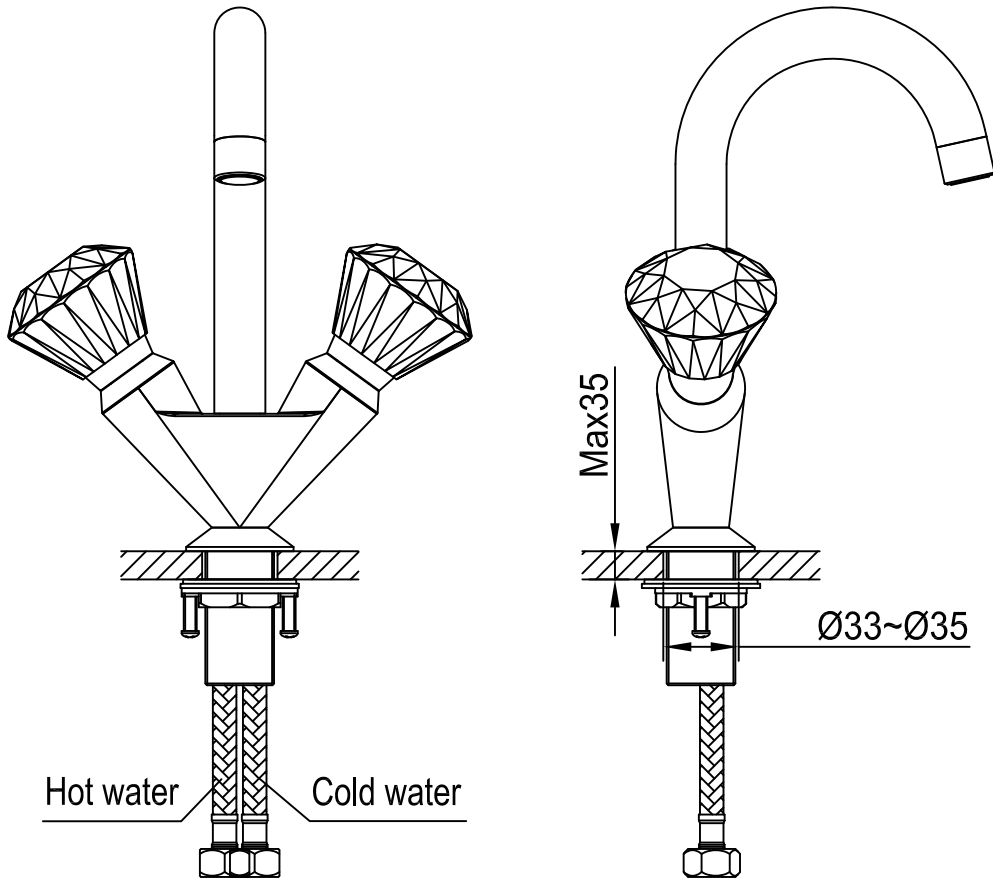
B- type fixing



Component list	Pcs
1.Main body	1
2.Washer A	1
3.Washer B	1
4.Gasket	1
5.Nut	1
6.Screw	2
7.Inlet pipe	2
8.Manual	1

Single-lever lavatory mixer
 Double-handle lavatory mixer

※ Diagram



※ Installation procedures

<p>1.</p> <p>Ø33~Ø35 Hole</p>	<p>2.</p>
<p>1.1) Drill a hole of Ø33~Ø35 on the deck. 2) Remove nut(5) with screws(6), gasket(4) and washer B (3) from the main body.</p>	<p>2. Fix inlet pipes onto the main body. Put washer A(2) through the inlet pipes to mainbody, then put inlet pipes through the hole, and install the mixer with washer B(3), gasket(4), nut(5) with screws(6) in sequence from under deck.</p>