

7K-100 SERIES

Full Port Ball Valve with Drain

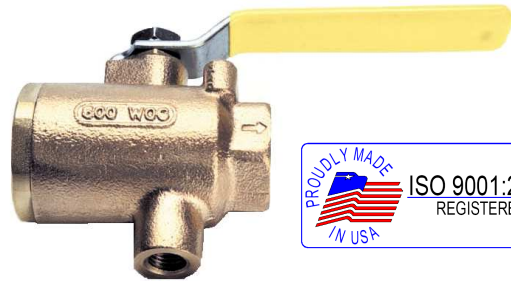
Job Name:	Contractor:
Job Location:	P.O. Number:
Engineer:	Representative:
Tag:	Wholesale Distributor:

DESCRIPTION

The Apollo® 7K Series is a full port ball valve with mounting pad and drain.

FEATURES

- Adjustable Packing
- Blow-Out Proof Stem Design
- RPTFE Seats and Stuffing Box Ring
- Chromium Plated Ball
- Mounting Pad for easy Actuator Mounting



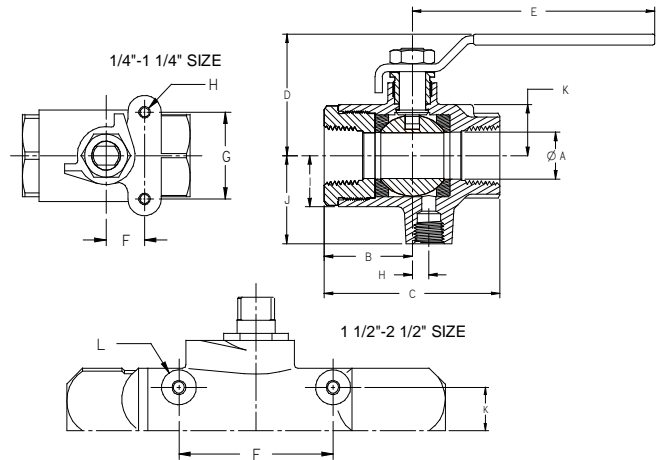
PERFORMANCE RATING

- 0-125 psig
- +50°F to 200°F

MODELS

- | | |
|--|-----------------|
| <input type="checkbox"/> 7K-100 Series | Standard |
| <input type="checkbox"/> 7K-150 Series | Balancing Stop |
| <input type="checkbox"/> 7K-190 Series | Locked Retainer |

DIMENSIONS



STANDARD MATERIALS LIST

Part Name	Material
Lever and Grip	Steel, Zinc Plated w/ Vinyl
Stem Packing	RPTFE
Stem Bearing	RPTFE
Ball	B16, Chrome Plated
Seat (2)	RPTFE
Retainer	B16 (1/4" to 1"), B584-C84400 (1 1/4" to 2 1/2")
Gland Nut	B16
Stem	B16
Lever Nut	Steel, Zinc Plated
Body Seal (1 1/4" to 2 1/2")	PTFE
Body	B584-C84400

APPROVALS

- MSS SP-10; Ball Valves, Threaded, Socket-Welding, Solder Joint, Grooved and Flared Ends
- Federal Specification: WW-V-35C, Type: II, Composition: BZ, Style: 3
- CRN: OC10908.5C

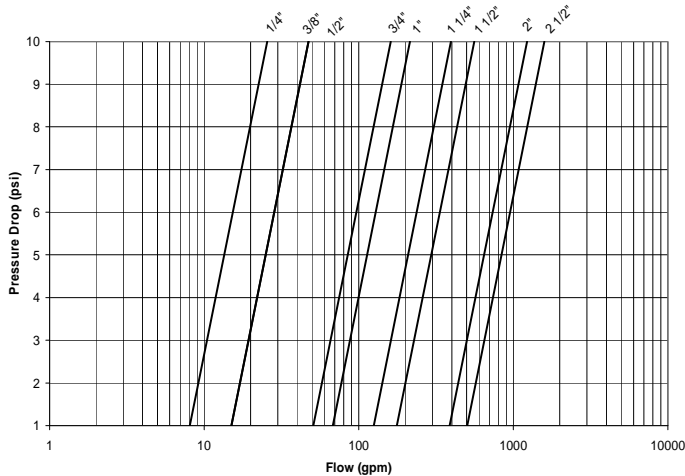
Model Number	Size (in.)	Dimensions							
		A	B	C	D	E	F	G	H
7K-101	1/4"	0.43	1.12	2.25	1.81	3.87	0.50	1.12	10-24 NC
7K-102	3/8"	0.50	1.12	2.25	1.81	3.87	0.50	1.12	10-24 NC
7K-103	1/2"	0.50	1.12	2.25	1.81	3.87	0.50	1.12	10-24 NC
7K-104	3/4"	0.81	1.56	3.12	2.12	4.87	0.87	1.37	10-24 NC
7K-105	1"	1.00	1.81	3.62	2.62	5.50	0.93	1.50	1/4-20 NC
7K-106	1 1/4"	1.25	2.12	4.25	2.87	5.50	0.93	1.50	1/4-20 NC
7K-107	1 1/2"	1.50	2.37	4.75	3.34	8.00	2.08	3.06	5/16-24 NF
7K-108	2"	2.00	2.65	5.37	3.71	8.00	2.41	3.52	5/16-24 NF
7K-109	2 1/2"	2.50	3.25	6.50	4.12	8.00	2.75	3.37	1/4-20 NC



7K-100 SERIES

Full Port Ball Valve with Drain

FLOW CHARACTERISTICS



OPTIONS & SIZES

- | | |
|---|---------------|
| <input type="checkbox"/> (-02) Stem Grounded | 1/4" - 2 1/2" |
| <input type="checkbox"/> (-03) 1 1/4" CS Stem Extension | 1/4" - 2 1/2" |
| <input type="checkbox"/> (-04) 2 1/4" CS Stem Extension | 1/4" - 2 1/2" |
| <input type="checkbox"/> (-07) Steel Tee Handle | 1/4" - 1 1/4" |
| <input type="checkbox"/> (-08) 90° Reversed Stem | 1/4" - 2 1/2" |
| <input type="checkbox"/> (-10) SS Lever & Nut | 1/4" - 2 1/2" |
| <input type="checkbox"/> (-15) Wheel Handle, Steel | 1/4" - 1 1/4" |
| <input type="checkbox"/> (-16) Chain Lever-Vertical | 3/4" - 2 1/2" |
| <input type="checkbox"/> (-17) Rough Chrome Plated | 1/4" - 2 1/2" |
| <input type="checkbox"/> (-18) Plain Yellow Grip | 1/4" - 2 1/2" |
| <input type="checkbox"/> (-24) Graphite Packing | 1/4" - 2 1/2" |
| <input type="checkbox"/> (-27) SS Latch-Lock Lever & Nut | 1/4" - 2 1/2" |
| <input type="checkbox"/> (-30) Cam-Lock & Grounded | 1/4" - 1 1/4" |
| <input type="checkbox"/> (-32) SS Tee Handle & Nut | 1/4" - 1 1/4" |
| <input type="checkbox"/> (-35) VTFE Trim | 3/4" - 2" |
| <input type="checkbox"/> (-40) Cyl-Loc & Grounded | 1/4" - 1 1/4" |
| <input type="checkbox"/> (-45) Less Lever & Nut | 1/4" - 2 1/2" |
| <input type="checkbox"/> (-46) Latch Lock Lever-Lock Closed Position Only | 1/4" - 2 1/2" |
| <input type="checkbox"/> (-47) SS Oval Latch-Lock Handle & Nut | 1/4" - 3/4" |
| <input type="checkbox"/> (-48) SS Oval Handle (No Latch) & Nut | 1/4" - 2" |
| <input type="checkbox"/> (-49) Assembled Dry | 1/4" - 2 1/2" |
| <input type="checkbox"/> (-50) 2-1/4" CS Locking Stem Extension | 1/4" - 2 1/2" |
| <input type="checkbox"/> (-56) MPTFE Seats and Packing | 1/4" - 2 1/2" |
| <input type="checkbox"/> (-57) Oxygen Cleaned | 1/4" - 2 1/2" |
| <input type="checkbox"/> (-58) Chain Lever-Horizontal | 3/4" - 2 1/2" |
| <input type="checkbox"/> (-60) Static Grounded Ball & Stem | 1/4" - 2 1/2" |
| <input type="checkbox"/> (-61) Grounded Ball & Stem, Assembled dry | 1/4" - 2 1/2" |
| <input type="checkbox"/> (-63) NPT x Solder/Socket weld | 1/4" - 2 1/2" |

Conbraco Industries, Inc. 701 Matthews Mint Hill Rd. Matthews NC 28106 USA; www.apollovalves.com; 704-841-6000

Conbraco Industries can accept no responsibility for possible errors in this document and reserves the right to alter its product design or construction without notice and without incurring any obligation to make such changes on Conbraco products previously or subsequently sold.

All product specifications are approximate and are provided for reference only.