

70-600 Series

3-Way Bronze Ball Valve



Job Name:	
Job Location:	
Engineer:	
Contractor:	
Tag:	
PO#:	
Rep:	
Wholesale Dist:	

DESCRIPTION

The **Apollo® 70-600 Series** standard port 3-Way Diversion valve is ideal for making tank selection and fluid transfers simpler. Manufactured with proven ASTM Materials in the US.

FEATURES

- Adjustable Packing Gland
- Blowout-Proof Stem Design
- RPTFE Seats and Stuffing Box Ring
- Drilled and Tapped Mounting Pad

PERFORMANCE RATING

- Maximum Pressure: 400 psi CWP
- Maximum Temperature: 500°F

APPROVALS

- MSS SP-110; Ball Valves
- Federal Specifications: WW-V-35C,
- CRN: OC10908.5C

MODELS

- 70-600 Series: Standard
- 70-640 Series: 316 SS Ball & Stem

OPTIONS & SIZES

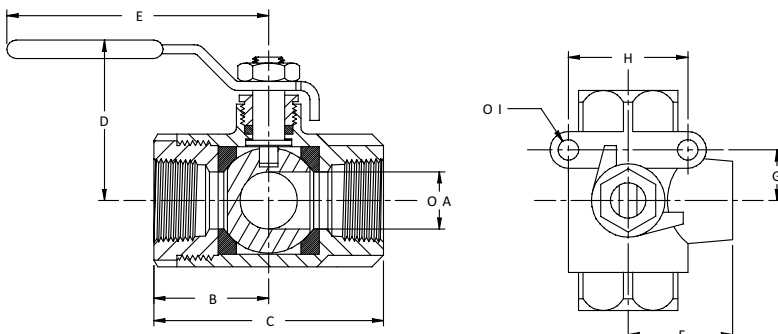
- (-03) 1-1/4" CS Stem Extension 1/4" - 2"
- (-04) 2-1/4" CS Stem Extension 1/4" - 2"
- (-10) SS Lever & Nut 1/4" - 2"
- (-17) Rough Chrome Plated 1/4" - 2"
- (-21) UHMWPE Trim (Non-PTFE) 1/4" - 2"
- (-27) SS Latch-Lock Lever & Nut 1/4" - 2"
- (-35) VTFE Trim 1/4" - 2"
- (-56) MPTFE Seats and Packing 1/4" - 2"
- (-57) Oxygen Cleaned 1/4" - 2"
- (-T01) BSPT (Tapered) Thread 1/4" - 2"

STANDARD MATERIALS LIST

LEVER AND GRIP	Steel, Zinc Plated w/ Vinyl
STEM PACKING / BEARING	RPTFE
BALL	B16 Brass, Chrome Plated
SEAT (2)	RPTFE
RETAINER	B16 or B283, C37700 (1/4" to 1") B584-C84400 (1-1/4" to 2")
GLAND NUT & STEM	B16 Brass
LEVER NUT	Steel, Zinc Plated
BODY SEAL (1 1/2" TO 2")	PTFE
BODY	B584 Bronze -UNS C84400

DIMENSIONS

MODEL NUMBER	SIZE (IN.)	DIMENSIONS (IN.)									WT. (LB.)
		A	B	C	D	E	F	G	H	I	
70-601	1/4"	0.50	1.09	2.25	1.80	3.88	1.18	0.87	1.37	10-24	0.86
70-602	3/8"	0.50	1.12	2.27	1.80	3.88	1.18	0.87	1.37	10-24	0.84
70-603	1/2"	0.50	1.10	2.75	1.75	3.88	1.18	0.87	1.37	10-24	0.99
70-604	3/4"	0.68	1.50	3.00	2.12	4.87	1.62	0.87	1.37	10-24	1.91
70-605	1"	0.87	1.59	3.20	2.20	4.87	1.71	0.87	1.37	10-24	2.42
70-606	1 1/4"	1.00	1.99	3.98	2.69	5.50	2.09	0.94	1.50	1/4-20	4.27
70-607	1 1/2"	1.25	2.21	4.40	2.87	5.50	2.38	0.94	1.50	1/4-20	5.82
70-608	2"	1.50	2.34	4.69	3.07	5.50	2.50	0.94	1.50	1/4-20	8.55



FLOW CHARACTERISTICS

