

6428 Pow-R-Jet® Plus Drum Mount Fogger

PARTS PRICE LIST & ORDER FORM

- Select parts (see drawing over) and quantities. Shipping costs and sales taxes if applicable will be added to order subtotal.
- Enter "Ship To Information" [physical locations only]. An email address is required for confirmation and tracking information.
- Specify payment method. If credit/debit card, include Authorization (ADM-004).
- Send to Fogmaster by: a) Fax: 1.954.480.8563; b) Scan & email: info@fogmaster.com; or c) Postal mail (address below).

NOTE: Motors and motor parts are listed on a separate page.

KITS AND ASSEMBLIES

Qty.	Dwg. Ref.	Kit No.	Description	Price	Qty.	Dwg. Ref.	Kit No.	Description	Price
___	1,2,3	045S	Adapter with Clamps	\$ 68.20	___	36,37,38,39 (or Rivet)	056	Grounding Hardware	\$ 2.80
___	2,3	205	Tank Clamp and Rivet	6.00	___	42,43	307	Venturi Mounting	3.00
___	7,8,9,13	227	Screen/Wt. Assm 40"	16.50	___	40,41,42,43 44,46	308	Venturi Assm	48.00
___	10,22	052	Coupling Assm	6.10	___	10,21,22,25/A 26,27,28,29, 36,37,38,39 40,41,42,43 44,45,46	310BR	Front Housing Assm 120V	156.00
___	10,11,12,22	053A	Couplings (2) & Hdwr.	11.60	___	5,6,10,11,12, 15,22,30,31, 32,33,34,35	212BR	Rear Housing Assm	118.00
___	16,17	206	Housing Hardware (one set of 4)	5.10	___	50, 51	058	Black Knob w/ screw	4.00
___	27,28	060	Switch, Rocker (rectangular)	9.60	___	47,50,51	104	Adjustment Valve, Black Knob, nut and screw	20.00
___	30,31,32, 33,34,35	055	Trunion Hardware (one side)	6.60					
___	25,27,29	011	Cord Set, 120V 9 Ft.	14.10					
___	25A,27,29	012	Cord Set, 240V 9 Ft.	17.30					

INDIVIDUAL PARTS

Qty.	Dwg. Ref.	Part No.	Description	Price	Qty.	Dwg. Ref.	Part No.	Description	Price
___	4	021	Tank Gasket	\$ 10.80	___	24	025	Armour Spring (1)	\$ 4.20
___	5	200DM	Cover Plate	17.60	___	26	026	Strain Relief	2.20
___	6	201	Trunion Bracket	25.00	___	48	419	Tubing 3-1/2x3/16x7/16"	4.20
___	15	202BR	Rear Housing	53.00	___	70	081	Intake Filter (1)	12.00
___	19	022	Torque Ring (one)	6.60	___	70	080	Intake Filter (10)	86.00
___	20	023	Motor Gasket (one)	4.40	___	ft	001	Tubing, 3/16x5/16"	4.30/ft
___	21	330BR	Front Housing	48.00	___	ft	002	Tubing, 3/16x7/16"	8.70/ft
___	45	209	Tube, 5"x3/16"x5/16"	3.70	___		246	Tubing Repl Kit	24.00
___	23	024	Tube 8" 3/16"x5/16"	4.30					

1. Order Amount

Product Cost	_____	_____
Sales tax (Florida only)	_____	----
Shipping cost	_____	----
Total	_____	----

Sales tax (if applicable) and shipping charges will be added.

2. Contact/Ship To Information

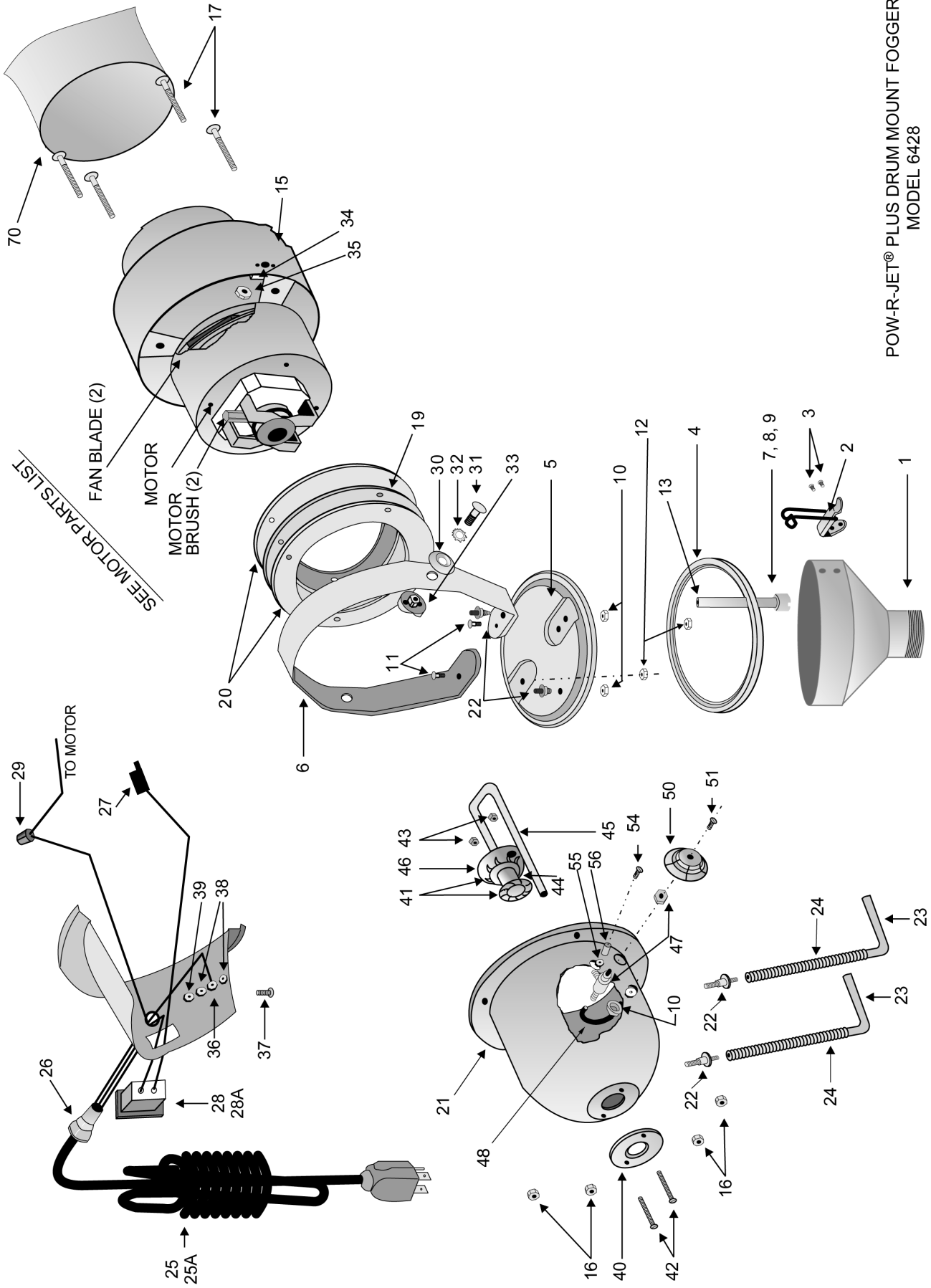
Name _____
 Company _____
 Address _____
 City, State _____
 Zip _____ Phone _____
 email _____
 (Used only to communicate about this order; not for marketing or spam.)

3. Payment Method

- Credit/Debit Card (American Express, MasterCard or Visa only). **Include Authorization form (ADM-004).**
- Check or money order (US customers only). **Call or email us for shipping cost.**



1051 S.W. 30th Ave., Deerfield Beach, FL 33442
 Phone (1) 954.481.9975 • Fax (1) 954.480.8563
 www.fogmaster.com • email: info@fogmaster.com



SEE MOTOR PARTS LIST

FAN BLADE (2)
MOTOR
MOTOR BRUSH (2)

POW-R-JET® PLUS DRUM MOUNT FOGGER
MODEL 6428

Motors & Motor Parts

PARTS PRICE LIST & ORDER FORM

Fogmaster units can be kept functional and useful even though many years old. Should you need parts or repairs, we support you. This sheet covers motors and motor parts. For non-motor items, download the parts list for your model (links are posted at <http://fogmaster.com/support.htm>).

Motors: A replacement motor must match the operating voltage of the old one, but you can choose the number of fan stages and brush design.

Fan Stages: A 1-stage motor has one fan blade. A 2-stage motor has two fan blades and a taller fan enclosure (see drawing on next page).

Motor Brushes: A motor uses two brushes. The motor brush is a wear part; it erodes preferentially to protect the commutator. Brush life is typically 600-650 operating hours but adverse operating conditions or a worn commutator will shorten its life. Motor brushes are not covered by the product warranty.

The MS [Motor Saver™] brush is a drop-in replacement for a standard brush. It is designed to interrupt power when worn out, to protect the commutator from scratching.

The LS motor offers a substantially longer life (2,000 - 2,500 hours), but its brushes are not replaceable.

Motor Kits: A motor kit includes a 1-stage motor, mounting ring and four motor spacers. To replace a 2-stage motor with a 1-stage motor, use the kit.

How to Order Replacements

1. Determine operating voltage of your unit (see nameplate label).
2. Determine the number of fan stages of the existing motor (see graphic, next page).
3. Select brush type. MS brushes or LS motors are recommended for heavy duty applications.
4. Mark items and quantities (next page), and total product cost below.
5. Fill out the Contact/Ship To Information and Payment Method sections below. An email address is required for order confirmation or tracking information.
6. Mail, fax or scan/email order form. We add sales tax (if applicable) and shipping cost to your order. If you are exempt from Florida sales tax, attach certificate.

1. Order Amount

Product Cost	_____	
Sales tax (Florida only)		----
Shipping cost		----
Total		----

Sales tax (if applicable) and shipping charges will be added.

2. Contact/Ship To Information

Name _____
Company _____
Address _____
City, State _____
Zip _____ Phone _____
email _____
(Used only to communicate about this order; not for marketing or spam.)

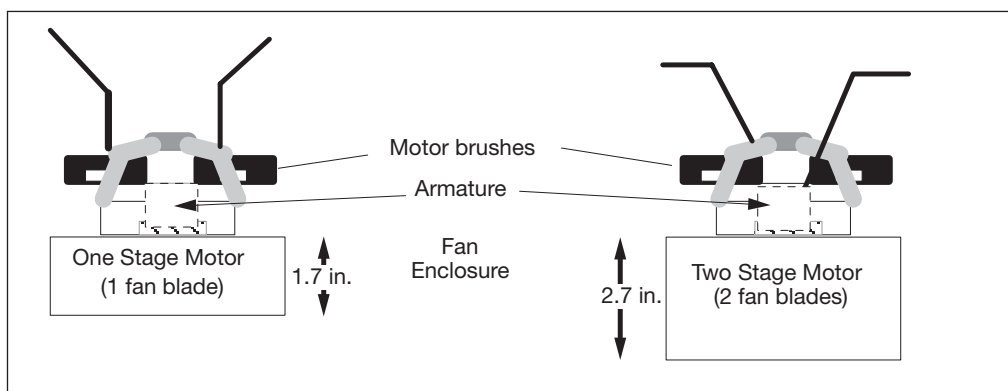
3. Payment Method

- Credit/Debit Card (American Express, MasterCard or Visa only). **Include Authorization form (ADM-004).**
- Check or money order (US customers only). **Call or email us for shipping cost.**



1051 S.W. 30th Ave., Deerfield Beach, FL 33442
Phone (1) 954.481.9975 • Fax (1) 954.480.8563
www.fogmaster.com • email: info@fogmaster.com

FAN STAGES



MOTORS, KITS & PARTS

Qty.	Part No.	Description	Price	Qty.	Part No.	Description	Price
___	115	Motor, Std brush, 1 Stage, 120 V	\$ 117.00	___	213CB	Motor, LS design, 2 stage, 120 V	\$ 207.00
___	125	Motor, Std brush, 1 Stage, 240 V	127.00	___	223CB	Motor, LS design, 2 stage, 240 V	207.00
___	213	Motor, Std brush, 2 Stage, 120 V	131.00	___	215	Motor Kit, Std brush, 1 Stage, 120 V	121.00
___	223	Motor, Std brush, 2 Stage, 240 V	145.00	___	225	Motor Kit, Std brush, 1 Stage, 240 V	131.00
___	213MS	Motor, MS brush, 2 Stage, 120 V	158.00	___	040	Fan blade	17.60
___	223MS	Motor, MS brush, 2 Stage, 240 V	164.00				

REPLACEMENT BRUSHES

Qty.	Part No.	Description	Price	Qty.	Part No.	Description	Price
		<i>For One Stage Motors</i>				<i>For Two Stage Motors</i>	
___	030	Std. Brush (pair), 120 V	\$ 20.00	___	033	MS Brush, set (1 MS, 1 std), 120 V	\$ 36.00
___	032	Std. Brush (pair), 240 V	20.40	___	034	MS Brush, set (1 MS, 1 std), 240 V	37.80

CREDIT/DEBIT CARD AUTHORIZATION

I authorize The Fogmaster Corporation to charge the following credit/debit card for goods ordered, applicable taxes and shipping costs. If any duties, VAT or import fees for my order are backcharged to Fogmaster, I authorize Fogmaster to charge them against this card.

Card Holder Name: _____

Card Billing Address: _____

City, State: _____

Country, Zip/Postal Code: _____

Card Type: ___ American Express ___ MasterCard ___ Visa ___ Discover

Card Number.: _____

Expiration Date: _____

Security Code (CCV): _____ (Amex: 4 digits on front of card) (Visa/MC/Discover: 3 digits on back of card)



Authorization: _____ Use for this transaction only [SO# or Date _____].
_____ Keep authorization on file for future orders.
_____ Use only for backup payment of account balance.

(Date)

(Signature)

(Print Name)

NOTE: Any credit due will be issued to the card used for the original purchase. Credits to a debit card may take 1-2 weeks to clear. This is due to the policies of the issuing bank, not Fogmaster.

(Return to Fogmaster by: mail; fax 1.954.480.8563; or scan/email to info@fogmaster.com.)

(FMC Use)

Received _____ by _____ SO / Quotation: _____

